

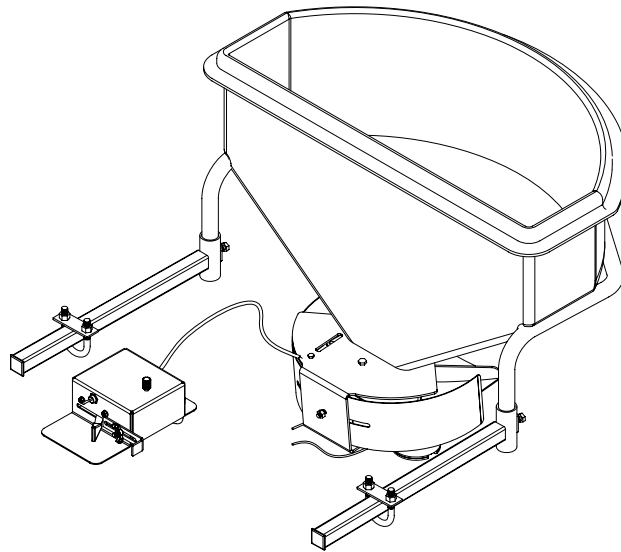


1701 38TH AVE W  
PO BOX 257  
SPENCER, IA 51301  
PHONE: 712-262-4191  
FAX: 712-262-0248  
SERVICE: 800-841-2222  
E-MAIL: ccac@cyclecountry.com  
www.cyclecountry.com

# ATV BROADCAST SPREADER

**MODEL NUMBER: 50-0045**

## OWNER'S MANUAL

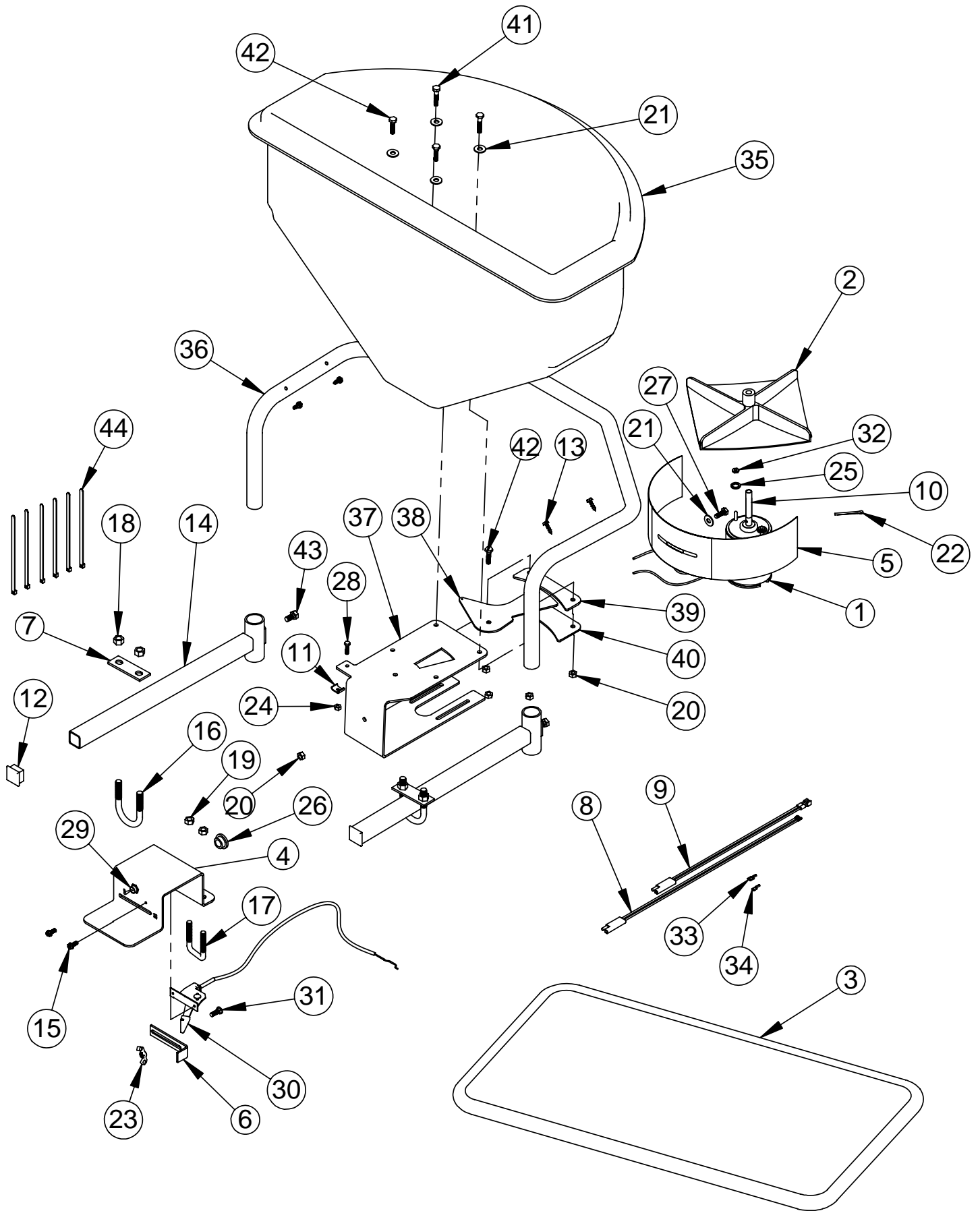


**CUSTOMER MUST RECEIVE A COPY OF THIS  
INSTALLATION MANUAL AT TIME OF SALE**

© 2007 Cycle Country Accessories Corp.

Rev. 1  
3/12/09

MAN0022



# Model Number 50-0045

## Parts List

ITEM NO.	QTY.	PART NO.	DESCRIPTION
1	1	PUR1735	12 Volt Motor
2	1	PUR1729	Spreader Spinner
3	1	PUR1730	Cover
4	1	CYC5222	Control Panel
5	2	CYC5223	Deflector Shield
6	1	CYC5224	Control Stop
7	2	CYC5225	Mounting Strap
8	1	PUR1731	48" Wire Harness
9	1	PUR1732	12" Wire Harness
10	1	CYC2016	Spinner Bushing
11	1	PUR1734	Cable Clamp
12	2	PUR1085	Tube Plugs
13	4	PUR0305	Hex Tapping Screw 1/4" x 3/4"
14	2	CYC5584	Tube Frame Mount Weldment
15	2	PUR1392	10 x 1/2" Slotted Tapping Screw
16	2	PUR1415	3/8" x 1-1/2" x 2-1/2" U-Bolt
17	1	PUR1424	5/16" x 1-1/8" x 2" Sq. U-Bolt
18	4	PUR1342	3/8" Hex Nut
19	2	PUR1275	Locknut 5/16" Nylock
20	6	PUR1265	Locknut 1/4" Nylock
21	5	PUR1237	Flatwasher 1/4"
22	1	PUR1203	Cotter Pin 1/8" x 1-1/2"
23	1	PUR0359	Wingnut 1/4-20UNC Nylock
24	1	PUR1259	Nut #10-24UNC Nylock Plated
25	2	PUR1287	#10 Lockwasher
26	1	PUR1592	Bushing 1/2 Split Plastic
27	1	PUR1130	Bolt 1/4" x 3/4"
28	1	PUR1320	10-24 x 3/4" Machine Screw
29	1	PUR1736	Switch On/Off
30	1	PUR1563	Throttle Cable
31	1	PUR1182	Carriage Bolt 1/4" x 3/4"
32	2	PUR1331	#10-32 Nut
33	1	PUR1385	Terminal 16-14 Female Spade
34	1	PUR1388	Terminal 16-14 Male Spade Insulated
35	1	PUR1979	Spreader Hopper-Black
36	1	CYC5583	Tube Frame
37	1	CYC5586	Motor Mount
38	1	CYC5589	Gate
39	1	CYC5587	Gate Spacer
40	1	CYC5588	Gate Guide
41	2	PUR1121	Bolt 1/4" x 1 1/4"
42	3	PUR1118	Bolt 1/4" x 1"
43	2	PUR1167	5/16" x 5/8" Bolt
44	6	PUR1945	6" Cable Tie

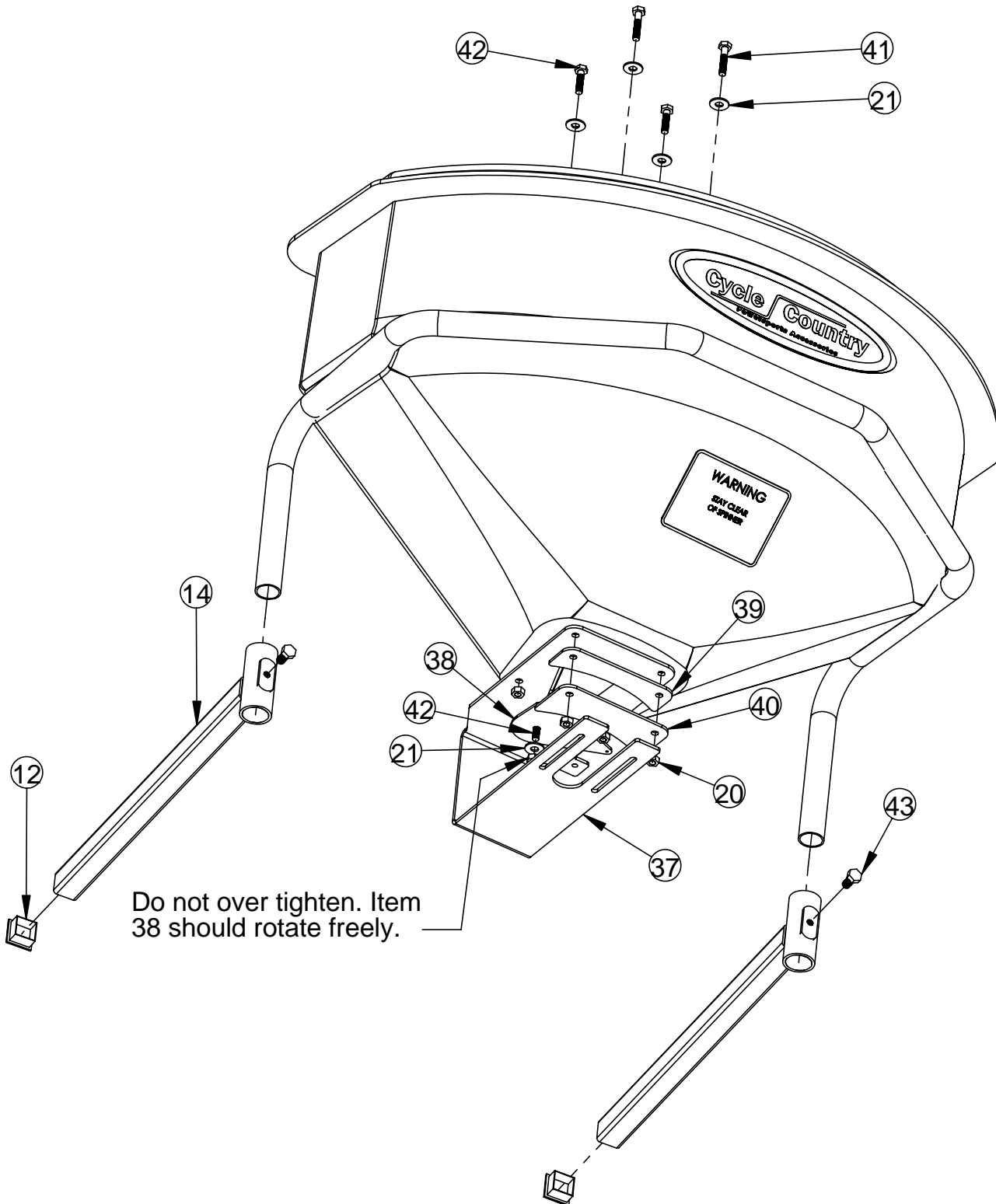
## **Operating Instructions Read Before Operating**

### **Warning**

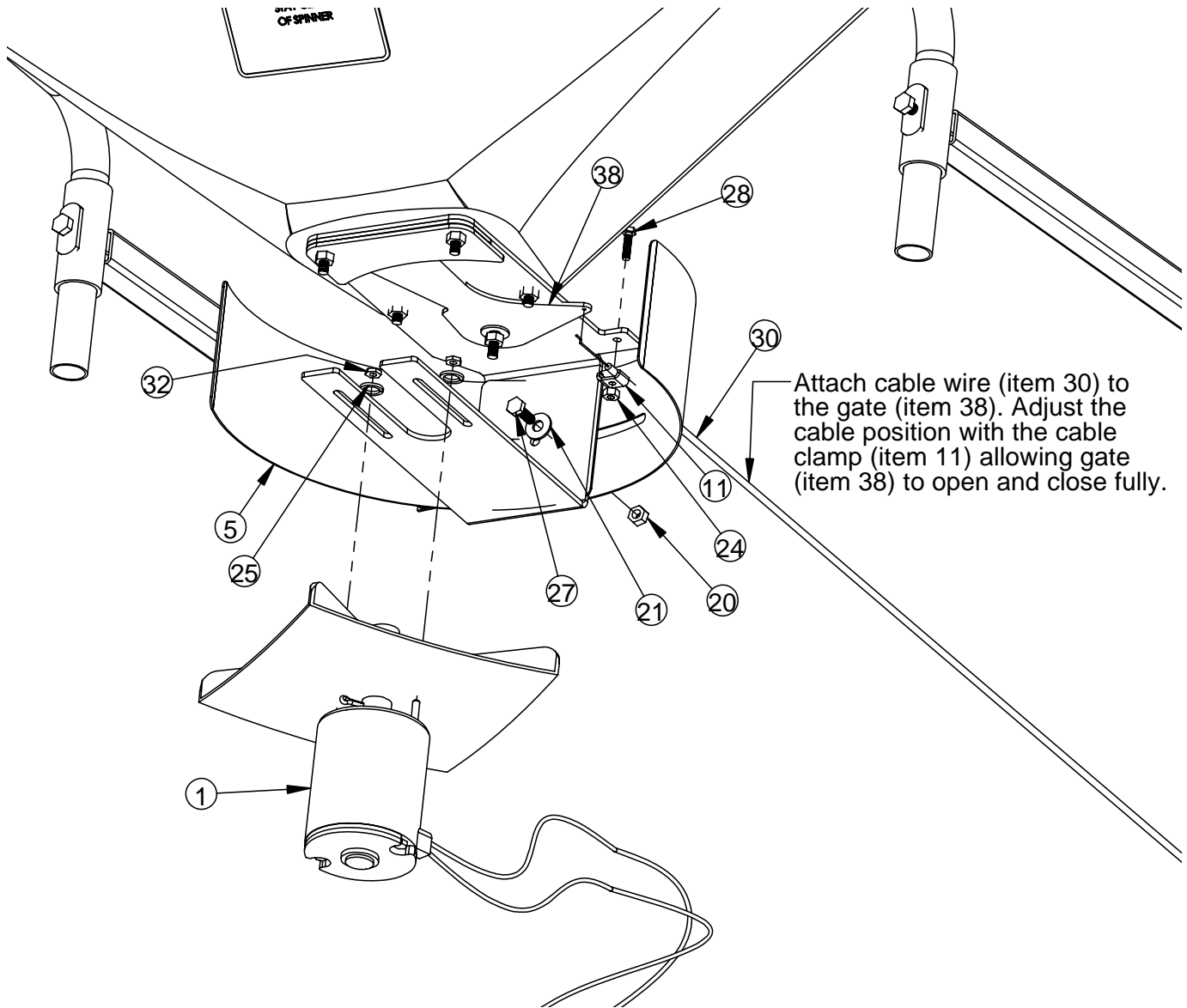
1. Read spreader owner's manual and ATV operator's manual before use.
2. Stop the engine, lock the brakes, and remove the ignition key before dismounting from your ATV.
3. When spreading seed or fertilizer, it is recommended that you use safety goggles.
4. The spreader is not designed for road speeds above 10 mph.
5. Reduce speed on hillsides or curves to avoid the danger of tipping.

## Assembly

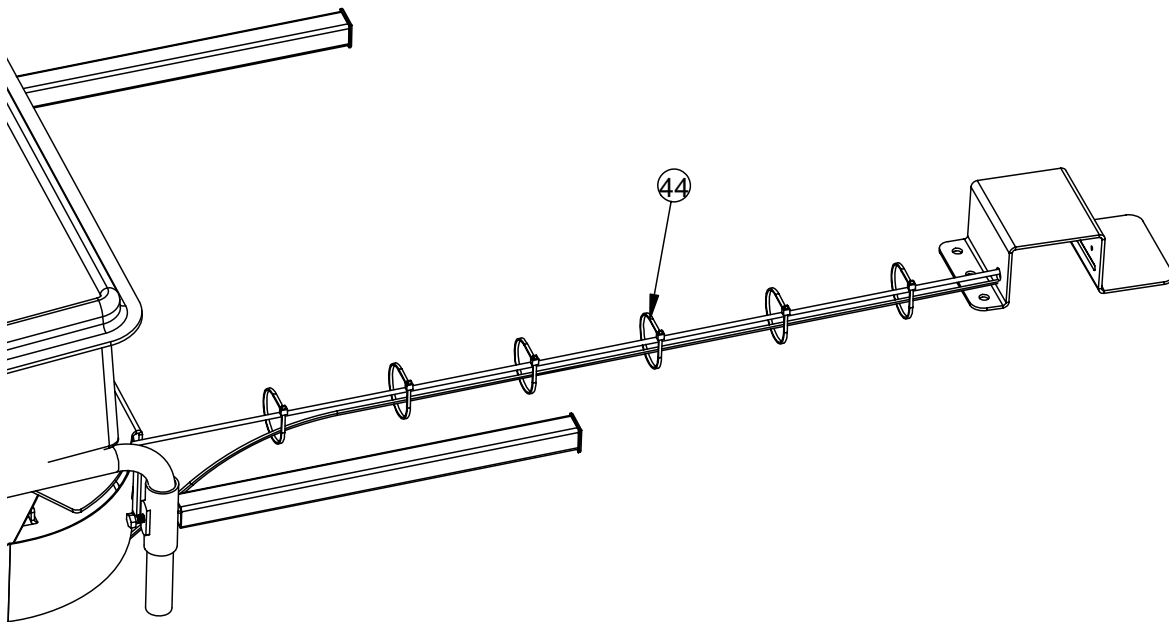
1. Assemble the motor mount (item 37) and the tube frame mounts (item 14) as shown below.



2. Connect the cable (item 30) to spreader gate (item 38). Install the motor and deflectors (items 1 and 5) as shown below.

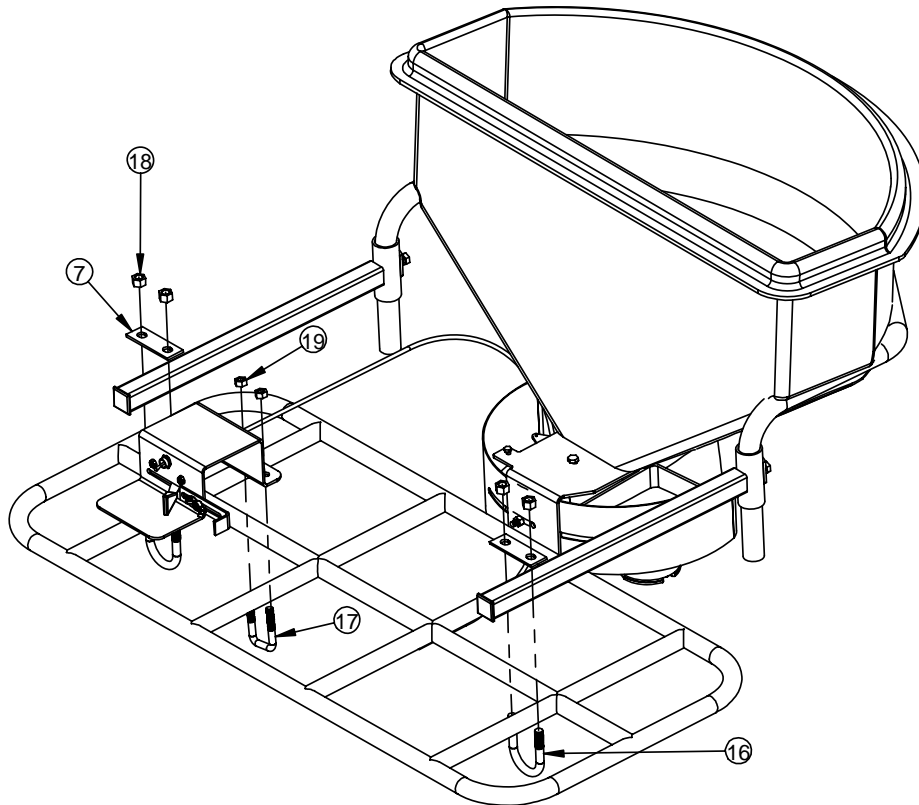


3. Use cable ties (item 27) to secure wires from motor (item 1) and cable (item 30) as shown below.



## Installation

1. A two-wire ATV 48" wiring harness (item 8) is provided to connect the spreader to the ATV battery. Connect the red wire eyelet to the positive (+) battery terminal and black wire eyelet to the negative (-) battery terminal.
2. Install the spreader onto the ATV rack as shown below.



3. Plug the ATV 48" wiring harness (item 8) to the spreader wiring harness (item 9). Turn the spreader switch (item 29) on and observe rotation of the spreader spinner (item 2). The spreader spinner must turn **Counter Clockwise** when observing from above the spreader. If necessary, reverse the black and red wire connections on item 9 under the spreader control panel (item 4).

## Operation

Your ATV broadcast spreader can be used to broadcast most seed (except those planted in rows) as well as all granular fertilizers. In winter, you can control ice and snow by spreading granular ice control materials.

This spreader does not have an agitator in the seed hopper. Some bearded seeds (such as fescue and brome grass) can bridge over the seed gate opening and cause erratic seed flow which will result in skips and misses in the spread pattern. The above problem can be helped by mixing the seed with dry sand (50/50 mix) then adjust the seed gate accordingly to compensate. ***The spreader will not work with rock salt.*** It will spread granular calcium chloride, if dry and free flowing.

1. Fill the hopper near the spreading location. Transporting a full hopper (especially with fertilizer) over long distances may cause material packing, resulting in poor or erratic discharge.
2. For best results, use fertilizer pellets, to reduce clumping and dust.
3. Be sure to sift or break up lumps commonly found in some types of granular fertilizer before filling hopper.
4. Do not use on windy days, especially when spreading fine grass seed.
5. Use of herbicides (especially broadleaf weed killers) is **NOT RECOMMENDED**, as there is a possibility of wind drift or overthrow of material.
6. For best results, cover area twice at 1/2 of the recommended material usage rate. On the second pass, run halfway between the first spreading width or in a criss-cross pattern. This method allows the most complete and even coverage and also gives the operator a chance to adjust gate setting to compensate for too thin or too heavy of a covering on the first pass.
7. When broadcasting fertilizer, always start the vehicle in motion before opening the feed gate. (Do not allow vehicle to sit stationary with feed gate open). If fertilizer is accidentally deposited too heavily in a small area, soak thoroughly with garden hose or sprinkler to prevent chemical burning.
8. The amount of seed or fertilizer broadcast depends on the size of the hopper gate opening and the speed of the vehicle. The table shown on the next page is an approximate guide based on a vehicle speed of **4 MPH**. A vehicle traveling at 4 mph will go 100 feet in 17 seconds. Be sure the vehicle engine is running fast enough for the generator to properly charge the battery. On some vehicles it may be necessary to use a lower gear to maintain an adequate engine speed for charging the battery.
9. Set the gate opening stop for the material to be spread according to the following chart. If making 2 passes at half the flow rate, (as recommended) and the area is not too large, it is advisable to put approximately 1/2 of the material in the hopper. This will give an approximate check of rate usage and will allow for adjustments on the second pass.

10. With the gate closed, fill the hopper with the material to be spread at the usage site. **DO NOT** transport fertilizer in the hopper over long distances as it may clump, resulting in erratic discharge or a hopper jam.

### Approx. Pounds per Acre at 4 MPH

#### GATE OPENING

M  
A  
T  
E  
R  
I  
A  
L

	#1	#2	#3	#4	#5	#6	Spread Width
<b>ALFALFA</b>			20.5	47.75	73.5	---	28'
<b>BLUE GRASS</b>			33	70	153	---	9'
<b>BROME GRASS</b>						29	9'
<b>RYE GRASS</b>			12.3	34	58.75	158	12'
<b>FERTILIZER (Fine Grain)</b>			28.5	65	100	---	15'
<b>FERTILIZER (Course Grain)</b>				77.5	91.5	206	28'
<b>OATS</b>						73	28'

1 Acre = 43,560 Sq. Ft.

11. The motor (item 1) and spreader spinner (item 2) can be adjusted from front to back under the hopper gate opening to center the spread pattern.
12. The two-part deflector shield (item 5) may be moved apart or together to narrow or broaden, respectively, the spreading pattern.
13. The chart in this manual is based on an ATV speed of 4 MPH. Spreading coverage can be varied by doubling the ground speed from 4 MPH to 8 MPH, which will reduce the pounds per acre by half of the indicated chart rate or by reducing ground speed from 4 MPH to 2 MPH, which will double the pounds per acre indicated in the rate chart.

## **Maintenance**

Your ATV spreader is relatively maintenance free. The high density polyethylene hopper is impervious to acids, alkalis and salt, and will not rust or corrode. After each use, remove the spreader from the ATV and clean thoroughly. When washing the spreader, completely cover the motor, and switch to protect it from water or corrosive solutions. If the motor or switch is not protected, damage may occur. Wipe clean with a brush or rag and apply a light amount of oil to the motor with a rag. Do not over oil. Store the spreader in a dry location.



1701 38TH AVE W  
PO BOX 257  
SPENCER, IA 51301  
PHONE: 712-262-4191  
FAX: 712-262-0248  
SERVICE: 800-841-2222  
E-MAIL: [ccac@cyclecountry.com](mailto:ccac@cyclecountry.com)  
[www.cyclecountry.com](http://www.cyclecountry.com)

## **ONE YEAR LIMITED WARRANTY**

For the period of one year from the purchase date Cycle Country Accessories Corporation will replace for the original purchaser, free of charge, any part or parts, when found, upon examination by Cycle Country Accessories Corporation, to be defective in material, workmanship, or both.

All transportation cost incurred by the purchaser in submitting the material to Cycle Country Accessories Corporation for replacement under this warranty must be borne by the purchaser. If Cycle Country Accessories Corporation determines that the product must be returned to the factory for credit please call 1-800-841-2222 for an RMA number and shipping instructions.

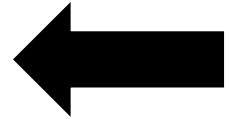
The warranty does not apply to parts that have been damaged by accident, alteration, abuse, improper lubrication, normal wear, or other causes beyond Cycle Country Accessories Corporation's control. Products such as engines, electric motors, and actuators may carry an original manufacturer's warranty. Please call Cycle Country Accessories Corporation for information.



Cycle Country Accessories Corporation has been a world-renowned manufacturer of quality ATV products since 1981 and we hope you will enjoy your new Cycle Country accessory.



**Check out our other accessories**



**We're the Industry Snow Blade leader:**

42", 48", 54", 60" & 72" Bear Force Straight Blades

52" & 60" State Plows

48" & 60" 'V' Force Plow System

**If a winch is what you must have, then you've come to the right place:**

1500lb and 2500lb Winches

We also have an extensive line of winch mounts for both Cycle Country and Warn winches

**If you need to haul more gear on your quad, check out our baskets:**

Front Basket

Rear Basket

Rear Drop Basket

**If you need to mow the trail before you go riding one of these will help:**

Our 54" finish cut Quick Silver54 can be mounted in front or towed behind your ATV

The 48" Rough Cut will handle your toughest mowing jobs

The Rough Cut 44 provides an economical way to handle all your mowing needs

**If you are into deer hunting and want to make a food plot, you will love our 3 Point Hitch & Implements:**

Rear Blade

Moldboard Plow

Spreader

Furrower

Rake

Cultivator

Disk Harrow

**And many more accessories to help you Work Hard and Play Hard:**

For more information call us at 1-800-841-2222, or on the web at [www.cyclecountry.com](http://www.cyclecountry.com)