



# WINCH USER GUIDE

## WARN® 5000 Utility Winch

Part Number: 99963, 99964





English .....	1
Spanish .....	15
French .....	29

Your safety, and the safety of others, is very important. To help you make informed decisions about safety, we have provided installation and operating instructions and other information on labels and in this guide. This information alerts you to potential hazards that could hurt you or others. It is not possible to warn you about all potential hazards associated with this product, you must use your own good judgment.

**CARELESS WINCH INSTALLATION AND OPERATION CAN RESULT IN SERIOUS INJURY OR EQUIPMENT DAMAGE. READ AND UNDERSTAND ALL SAFETY PRECAUTIONS AND OPERATING INSTRUCTIONS BEFORE INSTALLING AND OPERATING THIS PRODUCT.**

This guide identifies potential hazards and has important safety messages that help you and others avoid personal injury or death. **WARNING** and **CAUTION** are signal words that identify the level of hazard. These signal words mean:

 **WARNING** signals a hazard that *could* cause serious injury or death, if you do not follow recommendations.

 **CAUTION** signals a hazard that *may* cause minor to moderate injury, if you do not follow recommendations.

This guide uses **NOTICE** to call attention to important mechanical information, and **Note**: to emphasize general information worthy of special attention

## Product Description: WARN® 5000 Utility Winch

The WARN® 5000 Utility Winch is a powerful pulling tool. Powered by a 12 volt DC power source this compact winch has a pulling capacity of 5000 pound / 2268 kilos.

The unit has a 12' remote control for power in and power out operation, 60' of 1/4" wire rope and clasp hook. A freespooling clutch is a standard option.

## Introduction

Thank you for choosing WARN® for your utility winch needs. All WARN® products have been designed and manufactured for many years of problem-free operation. For future reference please record the following information:

**Model/Part Number:** \_\_\_\_\_ **Date of Purchase:** \_\_\_\_\_

## Before you begin

- Read the instructions completely to familiarize yourself with the installation process.
- Review all the notices, cautions and warnings to make sure the kit will be installed correctly and safely.

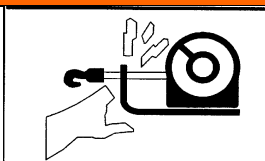


## Safety Precautions

The following are general safety precautions that every winch operator should know. Taking precedence over any specific rule listed here, however, is the most important rule of all—**USE COMMON SENSE**.

A few minutes spent reading these rules can make an operator aware of dangerous practices to avoid and precautions to take for his own safety and the safety of others. Frequent examinations and periodic inspections of the equipment as well as conscientious observance of safety rules may save lives as well as time and money.

### **WARNING**



#### **MOVING PARTS ENTANGLEMENT HAZARD**

Failure to observe these instructions could lead to severe injury or death.

To avoid injury to hands or fingers.

- **Always** keep hands clear of wire rope, hook loop, hook and fairlead opening during installation, operation and when spooling in or out.
- **Always** use extreme caution when handling hook and wire rope during spooling operations.
- **Always** use supplied hook strap whenever spooling wire rope in or out, during installation or operation to avoid injury to hands or fingers.

### **WARNING**



#### **FALLING OR CRUSHING HAZARD**

Failure to observe these instructions could lead to severe injury or death.

- **Never** use as an overhead hoist, or to suspend a load.
- **Never** use to lift or move persons.

# CAUTION

## MOVING PARTS ENTANGLEMENT HAZARD

Failure to observe these instructions could lead to minor to moderate injury.

### General Safety:

- **Always** Know Your Winch: Take time to fully read and understand the included Installation and Operations guide, and Basic Guide to Winching Techniques, in order to understand your winch and the winching operation.
- **Never** operate this winch if you are under 16 years of age.
- **Never** operate this winch when under the influence of drugs, alcohol or medication.
- **Never** exceed winch or wire rope rated capacity. Double line using a snatch block to reduce winch load.

### Installation Safety:

- **Always** choose a mounting location that is sufficiently strong to withstand the maximum pulling capacity of your winch.
- **Always** use factory approved switches, remote controls, accessories and installation components.
- **Always** use grade 5 or better hardware, never weld bolts and never use longer bolts than those supplied from factory.
- **Always** complete winch mounting and attachment of hook to hook loop before wiring winch during installation.
- **Always** position fairlead with WARNING label on top.
- **Always** spool the wire rope onto the drum as indicated by the drum rotation label on the winch. Required for automatic brake to work (if winch is so equipped) and for correct installation orientation.
- **Always** prestretch wire rope and respool under load before use. Tightly wound wire rope reduces chances of "binding", which is wire rope working its way down into a loosely wound wire rope layer, and catching or damaging itself.

### Winching Safety:

- **Always** inspect winch installation and wire rope and hook condition before operating winch. Frayed, kinked or damaged wire rope must be replaced immediately. Loose or damaged winch installation must be corrected immediately.
- **Never** hook wire rope back onto itself. This damages the wire rope. Always use a choker chain, wire choker rope or tree trunk protector on the anchor.
- **Always** prior to winching, remove any element that may interfere with safe winch operation.
- **Always** take your time when rigging for a winch pull.
- **Always** be certain the anchor you select will withstand the load, and the strap or chain will not slip.
- **Never** engage or disengage clutch if winch is under load, wire rope is in tension or wire rope drum is moving.
- **Always** unspool as much wire rope as possible when rigging. Double line or pick distant anchor point.
- **Never** winch with less than 5 wraps of wire rope around the drum, the wire rope could come loose from the drum.
- **Always** stand clear of wire rope and load during operation.
- **Never** touch wire rope or hook while in tension or under load.
- **Never** touch wire rope or hook while someone else is at the control switch or during winching operation.
- **Never** touch wire rope or hook while remote control is plugged into winch.
- **Always** stand clear of wire rope and load and keep others away while winching.
- **Always** require operator and bystanders to be aware of stability during winching of vehicle and/or load.
- **Always** keep remote control lead clear of the drum, wire rope and rigging. Inspect for cracks, pinches, frayed wires or loose connections. Replace if damaged.

## Safety Precautions - continued

### CAUTION



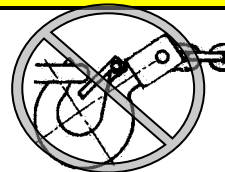
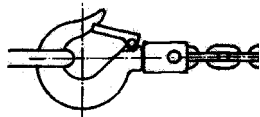
#### CUT AND BURN HAZARD

Failure to observe these instructions could lead to minor to moderate injury.

To avoid injury to hands and fingers:

- **Always** wear heavy leather gloves when handling a wire rope.
- **Never** let wire rope slip through your hands.
- **Always** be aware of possible hot surface at winch motor, drum or wire rope during or after winch use.

### CAUTION



#### Moving Parts Entanglement Hazard

Failure to observe these instructions could lead to minor to moderate injury.

- **Never** apply load to hook tip or latch. Apply load only to the center of hook.
- **Never** use a hook whose throat opening has increased, or whose tip is bent or twisted.

## NOTICE

### AVOID WINCH AND EQUIPMENT DAMAGE

- **Always** avoid continuous side pulls, which can pile up wire rope at one end of the drum. This can damage your wire rope or winch.
- **Always** ensure the clutch is fully engaged or Disengaged.
- **Never** use winch to tow other vehicles. Shock loads can momentarily exceed capacity of wire rope & winch
- **Always** use care to not damage your frame when anchoring your vehicle during a winching operation.
- **Never** "jog" wire rope under load. Shock loads can momentarily exceed capacity of wire rope and winch.
- **Never** use winch to secure a load during transport.
- **Never** submerge winch in water.
- **Always** store the winch in a protected, clean, dry area.

## Part number & Cord ends for the WARN® 5000

### PART NUMBERS

99964	12v DC 5000# Utility Winch - US
99963	12v DC 5000# Utility Winch - International



## Parts List

The WARN® 5000 Utility Winch consists of the following main components.



1. WARN 5000 Winch Unit	2. Remote with 12'(3.7 m) Lead
3. Fairlead	4. 2 – 6' (1.8 m) x 6 gauge cable
5. Latch Hook and Hook Strap	6. Mounting Hardware

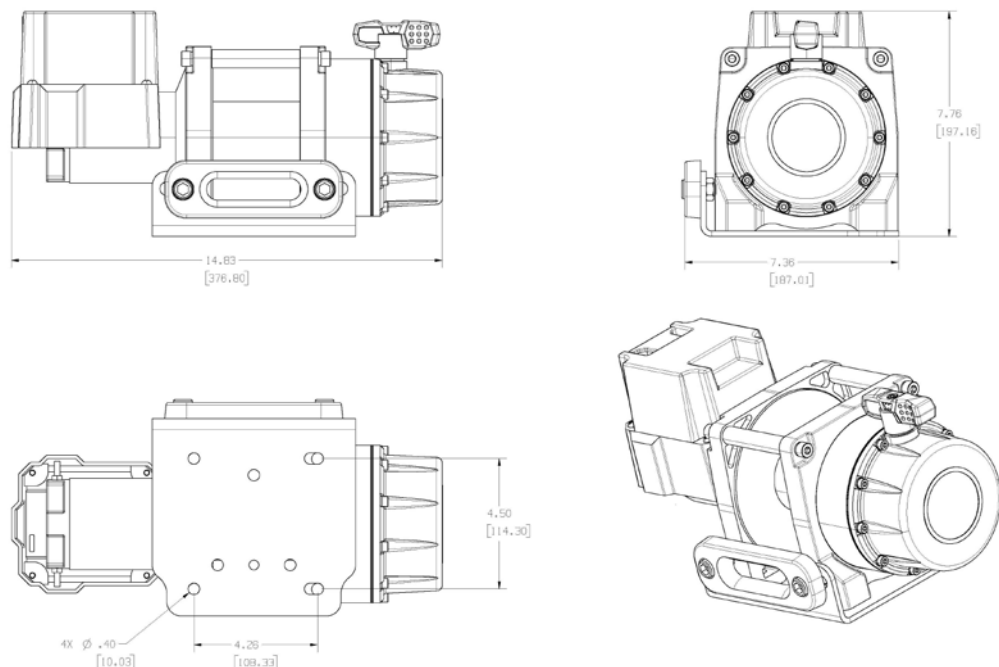
## Specification Data for the WARN® 5000

FEATURES			
<b>Pulling Capacity</b>	5000lbs. (2268 kg)	<b>Brake</b>	Dynamic and mechanical braking
<b>Switch Type</b>	Remote with 12' (3.7 m) Lead	<b>Warranty</b>	1 year limited
<b>Motor</b>	Permanent Magnet	<b>Wire Rope</b>	1/4" (6.35 mm) X 60' (18.3 m)
<b>HP</b>	1.9 HP 3.0" Diameter	<b>Drum Diameter</b>	2.5" (6.35 cm)
<b>Power</b>	12 volt DC	<b>Fairlead</b>	Hawse
<b>Gear Train</b>	3-Stage planetary	<b>Hole Pattern</b>	4 holes
<b>Gear Ratio</b>	216:1	<b>Electrical Leads</b>	2 – 6' (1.8 m) x 6 gauge cable
<b>Clutch</b>	Lever- Multi-directional	<b>Weight</b>	42 lbs. (19.1 kg.)

## Performance Data for the WARN® 5000

PERFORMANCE DATA: 5000							
Load		Current	Speed		Pulling Power by Wire Rope Layer		
Lbs.	Kg	Amps	Ft/min	M/min	Layer	lbs.	kg
0	0	40	13.8	4.2	1	5000	2268
1000	453.6	81	10.9	3.3	2	4280	1941
2000	907.2	118	9.3	2.8	3	3750	1701
3000	1360.8	152	8.1	2.5	4	3341	1515
4000	1814.4	188	6.8	2.1	5	3020	1369
5000	2268	220	5.4	1.6			

## Dimensional Data for the WARN® 5000



## Winch Installation to fixed location

### **!** CAUTION

#### Winch Failure Hazard

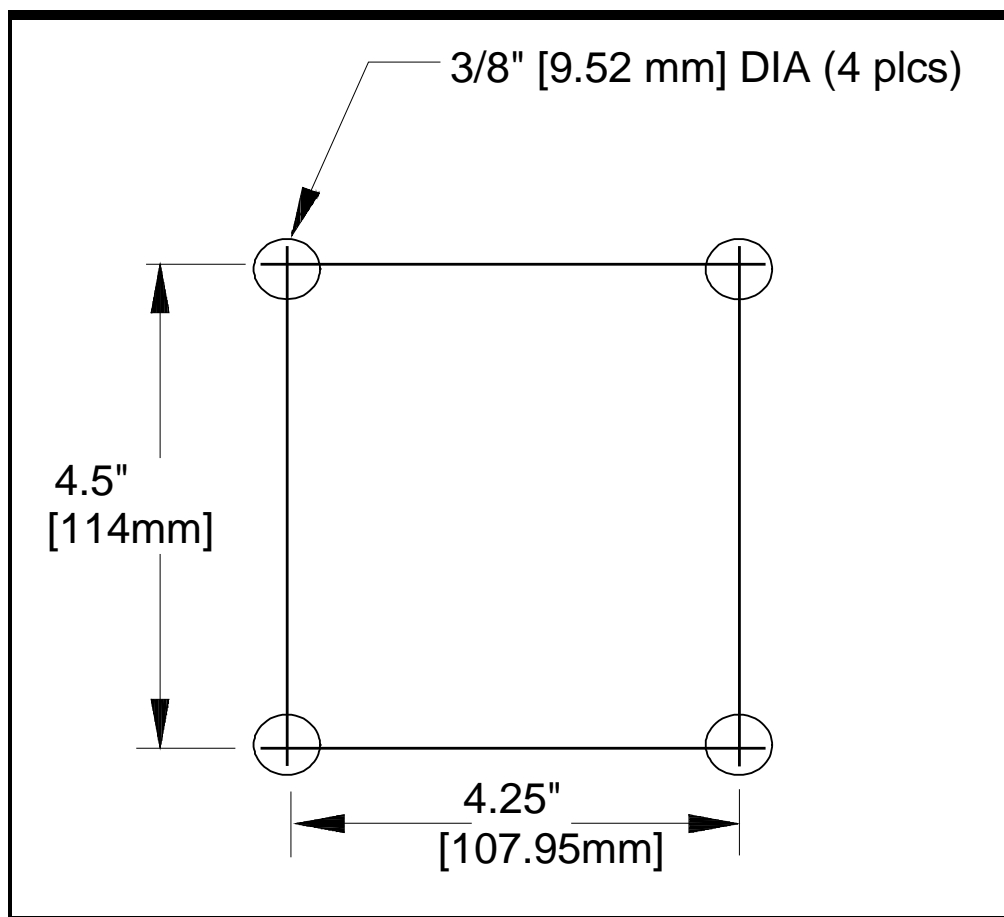
**Failure to observe these instructions could lead to minor or moderate injury.**

- Always choose a mounting location that is sufficiently strong to withstand the loads you intend to winch

The 5000 can be mounted to a fixed location by utilizing the mounting hole pattern for the winch unit. First, choose a mounting location that is sufficiently strong enough to withstand the loads you intend to winch.

Next, drill four holes to the dimensions specified in the drawing below.

#### Mounting Plate Hole Pattern





## Winch Installation to a fixed location- continued

To secure the winch, always use:

- A flat, secure mounting location at least 3/16 in. (4.8 mm) thick steel.
- 3/8 in. lockwasher x 4.
- 3/8-16 x 1in. long, hex head capscrew, Grade 5 or better x 4.
- Torque mounting bolts to 30-35 ft-lbs (41-47 Nm).

Bolt length may need to be longer than specified above depending upon the thickness of the material the winch is mounted to.

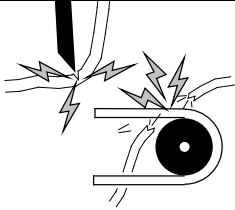
## Wiring Instructions



### WARNING

#### Shock & Fire Hazard

**Failure to observe these instructions could lead to severe injury or death.**



- Never route electrical cables across sharp edges
- Never route electrical cables through or near moving parts.
- Always read and follow all wiring instructions included in operators guide.
- Always insulate and protect all exposed wiring and electrical terminals

- Install battery cables with red lead connected to the positive terminal of battery, and black lead to the negative terminal of battery.
- Verify that all wiring connections are clean and tight.

Before using the winch, verify the following:

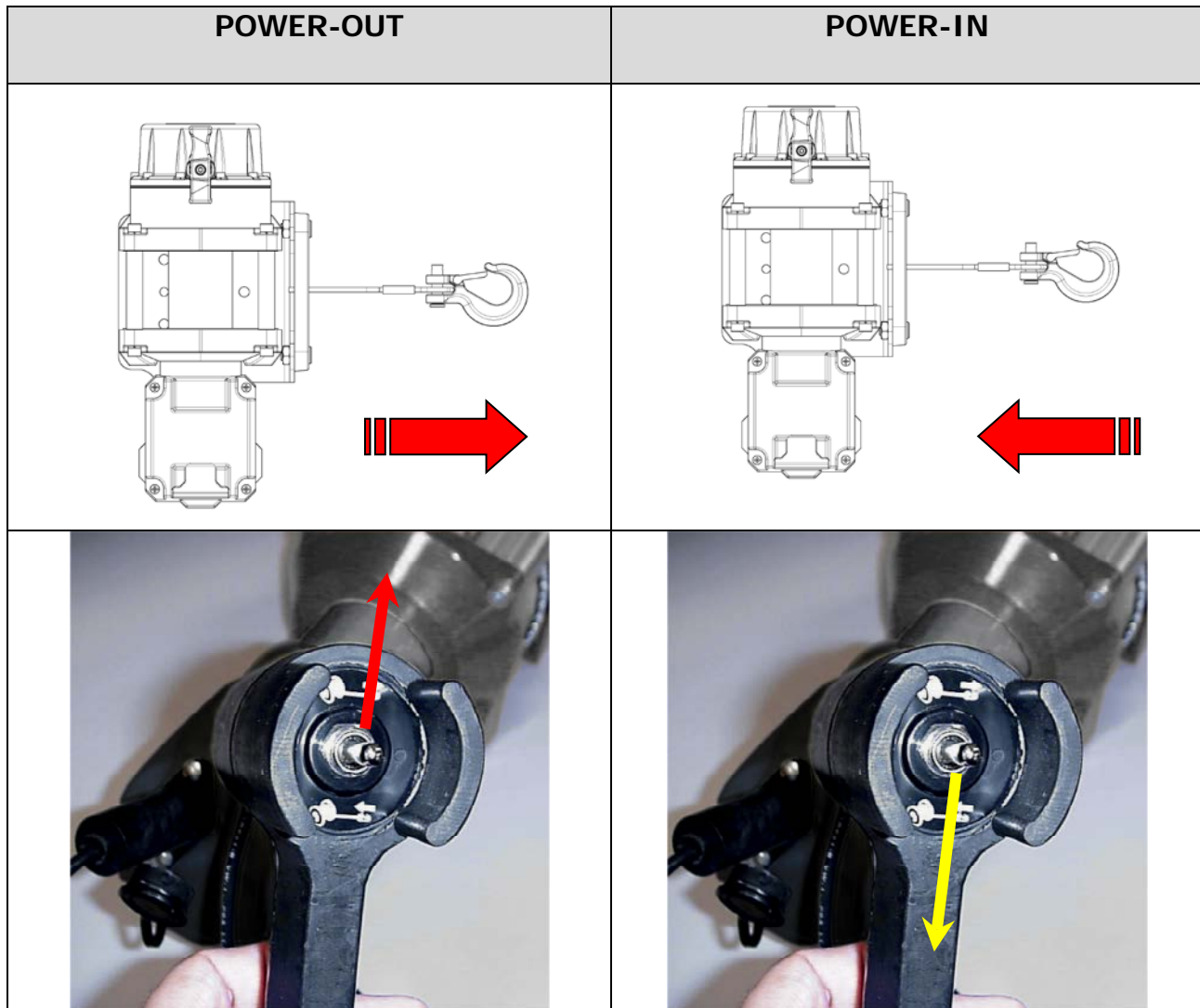
- Wiring to all components is correct.
- There are no exposed wiring or terminals, cover any existing exposures with insulator plate, terminal boots, heat shrink tubing or electrician's tape.

## Operating Instructions

### USING THE REMOTE CONTROL

The remote pendant control is hard wired to the winch and can be operated in the remote position away from the winch unit or with the pendant docked in the carrier plate.

Press the black power-out button to spool wire rope off of the drum, or press the white power-in button to spool wire rope onto the drum.



CLUTCH OPERATION



**WARNING**

**Winch Function Hazard**

**Failure to observe these instructions could lead to injury or property damage**

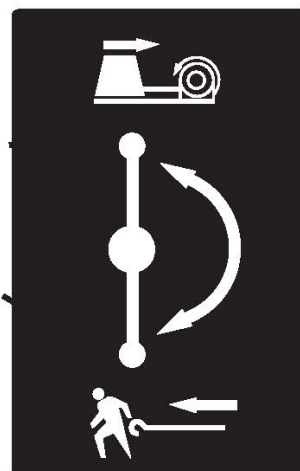
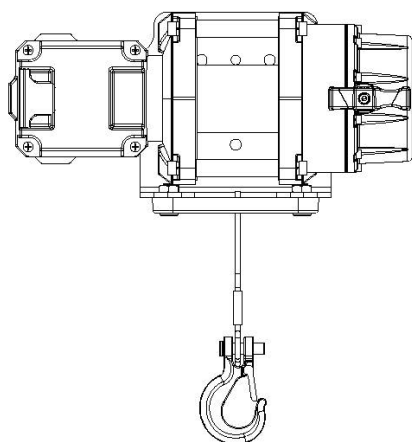
- ❑ Never engage or disengage the clutch if the winch is underload or wire rope is under tension.

When the clutch is engaged the gear train is coupled to the wire rope drum and power may be transferred from the winch motor. When the clutch is in freespool the gear train and wire rope drum are uncoupled allowing the drum to rotate freely. The clutch lever, located on top of the motor, controls the clutch position. To prevent damage, always fully engage or fully disengage the clutch lever.

**Engaged**



**Disengage - Freespool**

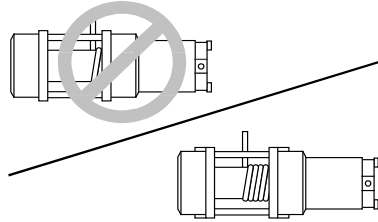


## Operating Instructions - continued

### SPOOLING OUT

Freespooling is generally the quickest and easiest way to spool out wire rope. Before freespooling wire rope out from the winch, power out enough rope to remove any tension the wire rope may be under before disengaging the clutch. Now freespool by manually spooling out enough wire rope for the winching operation.

### CAUTION



#### Personal Injury Hazard

**Failure to observe these instructions could lead to minor or moderate injury.**

- Always wear leather gloves when handling wire rope
- Never winch with less than 5 wraps of wire rope around the drum.

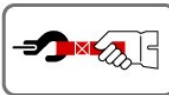
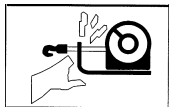
### STRETCHING THE WIRE ROPE

The life of a wire rope is directly related to the care and use it receives. During its first use, a new wire rope must be spooled onto its drum under a load of at least 500 lb. (227kg). Spool out the entire wire rope length leaving 5 wraps on the drum, then power in the wire rope under a load of 500 lb. (227kg) or more. This will stretch new wire rope and create a good wire wrap around the drum. Failure to do so may result in the outer wire wraps drawing into the inner wraps, binding, and damaging the wire rope.

### WARNING

#### Moving Parts Entanglement Hazard

**Failure to observe these instructions could lead to severe injury or death.**



- ALWAYS** keep hands clear of the wire rope, hook loop, hook and fairlead opening during installation, operation and when spooling in or out.
- ALWAYS** use supplied hook strap whenever spooling the wire rope in or out, during installation, or operation to avoid injury to hands or fingers.

## Operating Instructions - continued

### SPOOLING IN UNDER LOAD

- ❑ The wire rope must always spool onto the bottom of the drum as indicated by decal on the winch.
- ❑ Power in the wire rope evenly and tightly on the drum. This prevents the outer wire wraps from drawing into the inner wraps, binding and damaging the wire rope.
- ❑ Avoid shock loads when spooling, by using the control switch intermittently to take up wire rope slack. Shock loads can momentarily far exceed the winch and wire rope ratings.

### SPOOLING IN UNDER NO LOAD

- ❑ **Assisted:** Have your assistant hold the hook with the hook strap putting as much constant tension on the wire rope as possible. While keeping tension, the assistant should walk toward the winch while you operate the control switch spooling in the wire rope. Release the switch when the hook is a minimum of 4 ft (1.2m) from the fairlead opening. Spool in the remainder for storage.
- ❑ **Unassisted:** Arrange the wire rope to be spooled so it will not kink or tangle when spooled. Be sure any wire rope on the drum is tightly and evenly layered. Spool enough wire rope to complete the next full layer on the drum. Tighten and straighten the layer. Repeat process until the hook is a minimum of 4ft (1.2m) from the fairlead. Spool in the remainder for storage.

### SPOOLING REMAINDER FOR STORAGE

Keep hands clear of the wire rope, hook and fairlead opening. Always use the hook strap to hold hook when spooling under no load. Carefully power in the remaining wire rope, jogging the control switch to take up the last of the slack. Secure the hook to a suitable anchor point near the winch. Be careful not to overtighten or damage may occur to the wire rope or anchor point.

### RIGGING

- ❑ Always spool out as much wire rope as possible when preparing rigging. Pick an anchor as far away as is practical; this provides the winch with its greatest pulling power.
- ❑ Rigging a double line with a snatch block will reduce the load on the winch to half without significant loss of spooling speed.
- ❑ Natural anchors such as trees, stumps and rocks are the handiest when available. Attach the choker chain, wire choker rope or tree trunk protector on the anchor as low as possible to avoid pulling the anchor down. If several possible anchors are available but they are not strong enough individually, it may be practical to attach a wire or chain choker around several anchors to form a strong collective anchor point.



## Operating Instructions - continued

### OVERLOADING/OVERHEATING

This winch is rated for intermittent duty. It should not be operated with the motor slowed down to a low RPM. When the motor approaches stall speed, a very rapid heat build-up occurs which may cause motor damage. Double line rigging will reduce the amperage draw from the motor allowing longer continual use (see rigging section).

## Maintenance & Warranty

### MAINTENANCE

- No lubrication is required for the life of the winch.
- Inspect the wire rope before and after each winching operation. Replace when damaged.

## WARRANTY

See separate sheet packed with winch

-Or-

**If warranty sheet is lost or misplaced contact:**

**Warn Industries, Inc.  
Customer Service Dept.  
12900 SE Capps Rd  
Clackamas, OR 97015-8903.**

**United States:**

Phone: 503.722.1200 or (800) 543-9276 (US only)

Fax: 503.722-3000

**International:**

Phone: 503.722.3008

Fax: 503.722.3005

© 2017 Copyright Warn Industries, Inc. All rights reserved.





# GUÍA DEL CABRESTANTE PARA EL USUARIO

## Cabrestante de uso general WARN® 5000


Nº DE REFERENCIA: 99964, 99963




Su seguridad y la seguridad de los demás es muy importante. Para ayudarle a tomar decisiones informadas sobre seguridad, se proporcionan instrucciones de instalación y operación, y otra información en etiquetas. Esta información le alerta sobre posibles peligros que puedan afectarle a usted y a otros. No es posible advertirle sobre todos los posibles peligros que puedan estar relacionados con el uso de este producto, por lo que deberá utilizarlo usando el sentido común.

**LA INSTALACIÓN Y OPERACIÓN INCORRECTAS DEL CABRESTANTE PUEDEN RESULTAR EN LESIONES GRAVES O DAÑOS AL EQUIPO. LEA TODAS LAS PRECAUCIONES DE SEGURIDAD E INSTRUCCIONES DE OPERACIÓN ANTES DE INSTALAR Y PONER EN FUNCIONAMIENTO ESTE PRODUCTO.**

Esta guía identifica posibles peligros y brinda importantes mensajes de seguridad que le ayudarán a usted y a otros a evitar daños personales o la muerte. Las palabras **ADVERTENCIA** y **PRECAUCIÓN** indican el grado de peligro. He aquí su significado:

 **ADVERTENCIA** indica un peligro que *puede* ocasionar daños personales de gravedad o la muerte si no se siguen las recomendaciones.

 **PRECAUCIÓN** indica un peligro que *puede* ocasionar daños personales leves o moderados si no se siguen las recomendaciones.

Esta guía emplea la palabra **AVISO** para llamar la atención sobre importante información de carácter mecánico, y la palabra **Nota**: para poner énfasis sobre información general digna de especial atención.

## Descripción del producto: Cabrestante de uso general WARN® 5000

El cabrestante de uso general 5000 de WARN es una poderosa herramienta de arrastre. Accionado por una fuente de energía de 12 voltios de CC, este compacto cabrestante tiene una capacidad de tiro de 2268 kilos (5000 libras).

La unidad cuenta con un interruptor de control remoto para operaciones de enrollado y desenrollado, 18,3 m (60 pies) de cable de 6,35 mm (1/4 pulg.) de diámetro y un gancho con seguro. El embrague para enrollado manual es una opción estándar.

## Introducción

Gracias por su adquisición del modelo de WARN para sus necesidades generales de arrastre e izado. Todos los productos de WARN se han diseñado y manufacturado para una operación sin problemas durante muchos años. Para referencia futura, guarde la siguiente información en un lugar seguro:

**Modelo/Nº de referencia:** \_\_\_\_\_ **Fecha de compra:** \_\_\_\_\_

## Antes de comenzar

- Lea las instrucciones en su totalidad para familiarizarse con el proceso de instalación.
- Revise todos los avisos, precauciones y advertencias para asegurarse de que el conjunto se instala correcta y seguramente.



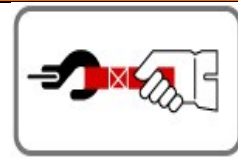
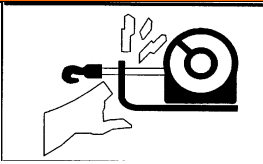


## Precauciones de seguridad

A continuación se indican algunas precauciones generales de seguridad que toda persona que vaya a usar el cabrestante debe conocer. La norma más importante, por encima de todas las demás: **USE EL SENTIDO COMÚN**.

Unos pocos minutos empleados en leer estas normas pueden hacer que el operario tome conciencia de acciones peligrosas que deben evitarse y de las precauciones a tomar para su propia seguridad y la seguridad de los demás. Las revisiones frecuentes y las inspecciones periódicas del equipo, así como un seguimiento consciente de las reglas de seguridad pueden salvar vidas, y también ahorrar tiempo y dinero.

### **ADVERTENCIA**



#### **PELIGRO DE ENREDO EN LAS PIEZAS MÓVILES**

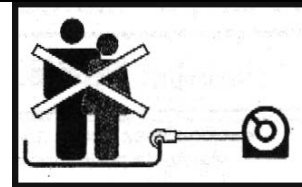
De no seguirse estas instrucciones podrían producirse lesiones graves o la muerte.

Para evitar daños en las manos.

--Mantenga siempre las manos alejadas del cable, del bucle del gancho, del gancho y de la abertura de la guía durante la instalación, la operación, y en el enrollado y desenrollado.

- Use **siempre** precaución extrema en el manejo del gancho y el cable durante las operaciones de enrollado y desenrollado.
- Use **siempre** la correa del gancho suministrada cuando vaya a enrollar o desenrollar el cable durante la instalación o la operación para evitar lesiones en las manos.

### **ADVERTENCIA**



#### **PELIGRO DE CAÍDA O APLASTAMIENTO**

De no seguirse estas instrucciones podrían producirse lesiones graves o la muerte.

- No utilice nunca el cabrestante como grúa vertical, ni para suspender una carga.
- No utilice nunca el cabrestante para levantar o desplazar personas.

# PRECAUCIÓN

### PELIGRO DE ENREDO EN LAS PIEZAS MÓVILES

De no seguirse estas instrucciones podrían producirse lesiones menores o de poca gravedad.

#### Seguridad general:

- Sea **siempre** consciente del funcionamiento del cabrestante: Tómese su tiempo para leer y comprender completamente la guía de Instalación y operaciones, y la Guía básica de técnicas del cabrestante, que vienen con el mismo, para poder comprender el funcionamiento del cabrestante.
- No haga funcionar **nunca** este cabrestante si usted es menor de 16 años de edad.
- No haga funcionar **nunca** el cabrestante si se encuentra bajo la influencia de drogas, alcohol o medicamentos.
- No exceda **nunca** la capacidad nominal del cabrestante ni del cable de tiro. Emplee un cable doble utilizando una polea pasteca para reducir la carga del cabrestante.

#### Seguridad para la instalación:

- Elija siempre una ubicación de montaje que sea lo suficientemente sólida para soportar la capacidad de carga máxima del cabrestante.
- Utilice **siempre** interruptores, controles remotos, accesorios y componentes de instalación que estén aprobados de fábrica.
- Utilice **siempre** tornillería de grado 5 o superior, pernos que nunca hayan sido soldados y no utilice nunca pernos que sean más largos que los suministrados por la fábrica.
- Complete **siempre** el montaje y acoplamiento del gancho del cabrestante al bucle del gancho antes de cablear el cabrestante durante la instalación.
- Ponga **siempre** la guía del cable con la etiqueta de ADVERTENCIA en su parte superior.
- Enrolle y desenrolle el cable en el tambor **siempre** según lo indicado por la etiqueta de rotación del tambor del cabrestante. Es necesario para que funcione el freno automático (si viene con el cabrestante) y para una orientación correcta de la instalación.
- Realice **siempre** un estiramiento previo del cable y vuelva a enrollarlo con carga antes de usarlo. Un cable bien enrollado reduce el riesgo de "agarrotamiento", que consiste en el cable enrollándose en una capa de cable que está enrollada flojamente, y enganándose o dañándose a sí mismo.

#### Seguridad en el enrollado y desenrollado:

- Revise **siempre** la instalación del cabrestante y el estado del cable antes de su uso. Si el cable está deshilachado, retorcido o dañado, deberá reemplazarse de inmediato. Cualquier pieza instalada que esté suelta o dañada deberá corregirse de inmediato.
- No enganche **nunca** el cable sobre sí mismo. Esto deterioraría el cable. Utilice una cadena o un cable de estrangulación, o un protector de tronco de árbol en el anclaje.
- Antes del enrollado, no olvide **nunca** retirar cualquier elemento que pueda interferir con una operación del cabrestante segura.
- Tómese su tiempo **siempre** cuando utilice un cabrestante.
- Verifique **siempre** que el anclaje seleccionado soportará la carga y que la correa o la cadena no se deslizará.
- **Nunca** embrague ni desembrague si el cabrestante está soportando una carga, si el cable está en tensión o si el tambor del cable está en movimiento.
- **Siempre** desenrolle tanto cable como sea posible al prepararse para el maniobrado. Emplee un cable doble o elija un punto de anclaje distante.
- No accione **nunca** el cabrestante si no hay al menos 5 vueltas de cable alrededor del tambor. El cable podría soltarse del tambor ya que el dispositivo de sujeción del cable al tambor no es apto para soportar una carga.
- Manténgase **siempre** alejado del cable y de la carga durante el accionamiento del cabrestante.
- No toque **nunca** el cable ni el gancho mientras éstos estén en tensión o con carga.
- No toque **nunca** el cable ni el gancho si hay alguien cerca del interruptor de control, o si el cabrestante está en funcionamiento.
- No toque **nunca** el cable ni el gancho si el control remoto está enchufado al cabrestante.
- Manténgase **siempre** alejado del cable y de la carga, y no deje que otros se acerquen mientras el cabrestante esté en funcionamiento.
- Haga que el operario y otras personas presentes sean conscientes de la estabilidad durante la operación del cabrestante en el manejo del vehículo o la carga.
- Mantenga **siempre** el cable del control remoto alejado del tambor, del cable y del maniobrado. Inspeccione la posible existencia de grietas, pellizcos, cables deshilachados o conexiones sueltas. Reemplácelo si está dañado.

## Precauciones de seguridad - Continuación

### ! PRECAUCIÓN



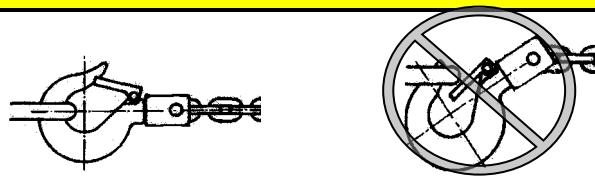
#### PELIGRO DE CORTES Y QUEMADURAS

De no seguirse estas instrucciones podrían producirse lesiones menores o de poca gravedad.

##### Para evitar daños en las manos:

- Lleve puestos **siempre** guantes gruesos de cuero para manejar el cable.
- **Nunca** deje que el cable se deslice por sus manos.
- Tenga **siempre** en cuenta que las superficies del motor, del tambor o del cable del cabrestante pueden estar calientes durante o después del uso del mismo.

### ! PRECAUCIÓN



#### Peligro de enredo en las piezas móviles

De no seguirse estas instrucciones podrían producirse lesiones menores o de poca gravedad.

- No aplique nunca la carga a la punta del gancho o al seguro del mismo. Aplique la carga únicamente en el centro del gancho.
- No utilice nunca un gancho cuya abertura haya aumentado, o cuya punta esté doblada o retorcida

## AVISO

### EVITE DAÑOS AL EQUIPO Y AL CABRESTANTE

- Evite **siempre** los tirones laterales continuos ya que pueden apilar el cable en un extremo del tambor. Esto puede dañar el cable o el cabrestante.
- Compruebe **siempre** que se ha embragado o desembragado completamente.
- No utilice **nunca** el cabrestante para remolcar otros vehículos. Las cargas repentinas pueden exceder momentáneamente la capacidad del cable y el cabrestante.
- Sea precavido **siempre** para no dañar la estructura cuando vaya a anclar su vehículo en una operación con el cabrestante.
- No desplace **nunca** el cable en pequeñas sacudidas cuando esté con carga. Las cargas repentinas pueden exceder momentáneamente la capacidad del cable y el cabrestante.
- **Nunca** utilice el cabrestante para amarrar una carga durante el transporte.
- No sumerja **nunca** el cabrestante en agua.
- Guarde **siempre** el cabrestante en un área protegida, limpia y seca.

## Número de referencia y terminales del cable para el modelo WARN 5000

NÚMEROS DE REFERENCIA	
99964	Cabrestante de uso general 5000 12 V CC
99963	Cabrestante de uso general 5000 12 V CC - Internacional

## Lista de piezas

El cabrestante de uso general 5000 de WARN consta de los siguientes componentes principales.



1. Unidad de cabrestante WARN 5000	2. Remoto con guía de 3,7 m (12 pies)
3. Guía: Escoben	4. 2 cables de 1,8 m (6 pies) y calibre 6
5. Gancho de retención, con correa	6. Accesorios de montaje

## Especificaciones para el modelo WARN 5000

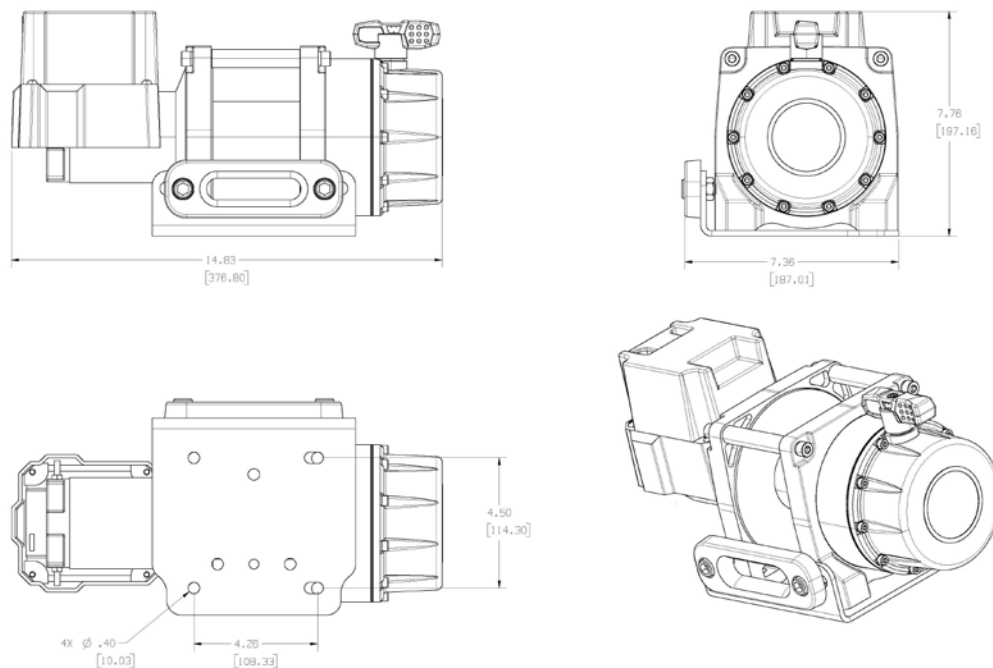
CARACTERÍSTICAS			
Capacidad de tracción	2268 kg (5000 lb)	Freno	Frenado dinámico y mecánico
Tipo de interruptor	Remoto con guía de 3,7 m (12 pies)	Garantía	Limitada de 1 año
Motor	Imán permanente	Cable	6,35 mm (1/4 pulg) X 18,3 m (60 pies)
CV	1,9 CV 7,62 cm (3 pulg) de diámetro	Diámetro del tambor	6,03 cm (2,375 pulg)
Potencia	12 voltios de CC	Guía	Escoben
Tren de engranajes	Planetario de 3 fases	Esquema de los orificios	3 orificios
Relación de transmisión	216:01	Conexiones eléctricas	2 cables de 1,8 m (6 pies) y calibre 6
Embrague	Palanca - Multidireccional	Peso	19,1 kg (42 lb)

## Especificaciones técnicas para el modelo WARN 5000

### ESPECIFICACIONES TÉCNICAS: 5000

Carga		Corriente Velocidad			Potencia de tiro por capa de cable		
libras	Kg	Amperios	pies/min	m/min	Capa	libras.	kg
0	0	40	13.8	4.2	1	5000	2268
1000	453.6	81	10.9	3.3	2	4280	1941
2000	907.2	118	9.3	2.8	3	3750	1701
3000	1360.8	152	8.1	2.5	4	3341	1515
4000	1814.4	188	6.8	2.1	5	3020	1369
5000	2268	220	5.4	1.6			

## Dimensiones del modelo WARN 5000



## Instalación del cabrestante en una ubicación fija

### **! PRECAUCIÓN**

#### **Peligro del fallo del cabrestante**

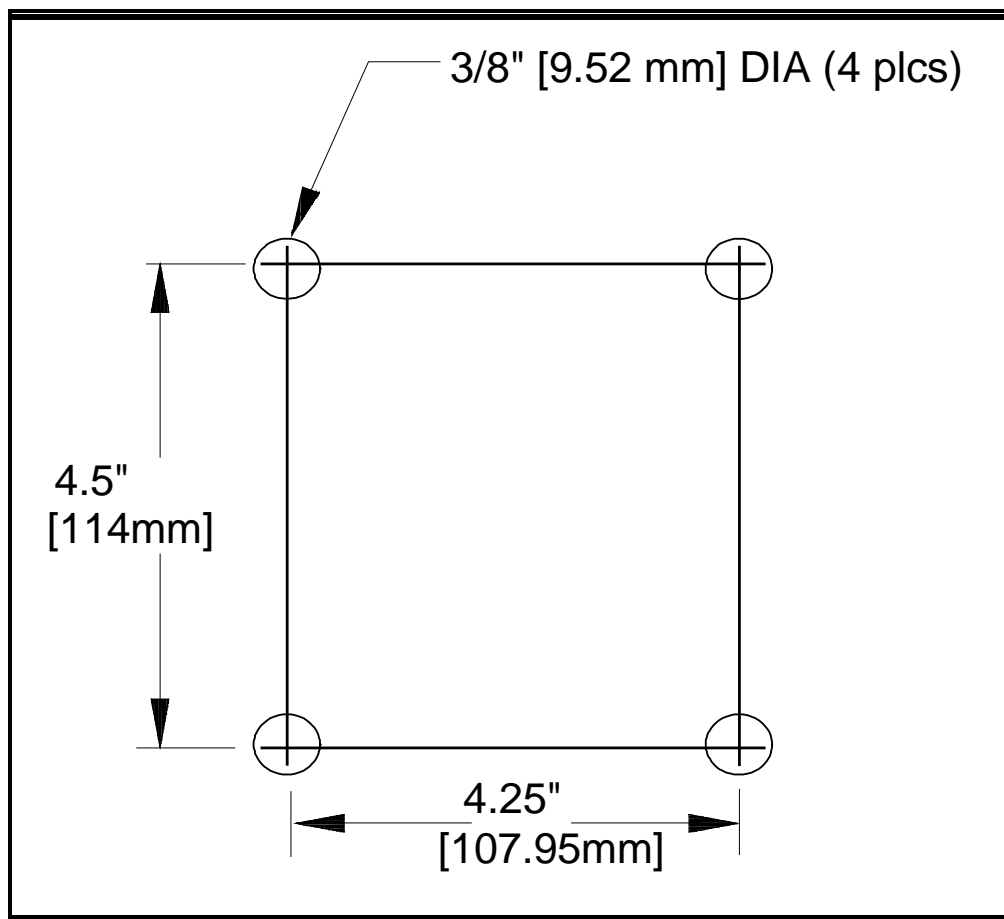
**De no seguirse estas instrucciones podrían producirse lesiones menores o de poca gravedad.**

- **Elija un lugar de montaje que sea lo suficientemente resistente para soportar las cargas que desee elevar con el cabrestante.**

El modelo 5000 puede montarse en una ubicación fija usando el patrón de agujeros de montaje para la unidad del cabrestante. Elija un lugar de montaje que sea lo suficientemente resistente como para soportar las cargas que desee desplazar.

A continuación, haga 4 taladros según las dimensiones especificadas en la ilustración siguiente.

#### **Esquema de los orificios de la placa para el montaje**



## Instalación del cabrestante en una ubicación fija - Continuación

Para asegurar el cabrestante utilice siempre:

- Un lugar plano y seguro para el montaje de por lo menos 4,8 mm (3/16 pulg) de grosor.
- Una arandela de bloqueo de 1/4 pulg. x 4.
- Un tornillo de cabeza hexagonal de 3/8-16 x 1 pulg. de largo, de grado 5 ó mejor x 4.
- Apriete los pernos de montaje con un par de torsión de 41-47 Nm (30-35 pies-lbs).

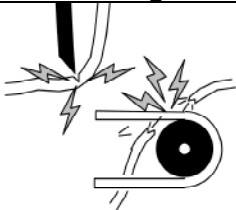
Es posible que la longitud del perno deba ser más larga que la especificada anteriormente, dependiendo del grosor del material en el que esté montado el cabrestante.

## Instrucciones de cableado

### **ADVERTENCIA**

#### **Peligro de electrocución**

**De no seguirse estas instrucciones podrían producirse lesiones de gravedad o la muerte.**



- No pase los cables eléctricos por bordes agudos.
- No pase los cables eléctricos por partes móviles o cerca de ellas.
- Lea y siga todas las instrucciones de cableado que se incluyen en el manual de operaciones.
- Ponga aislamiento y proteja los cables y terminales eléctricos que estén expuestos.

- Instale los cables de la batería, con el rojo conectado al terminal positivo de la misma y el negro al terminal negativo.
- Compruebe que las conexiones de los cables estén limpias y apretadas

Antes de utilizar el cabrestante, compruebe lo siguiente:

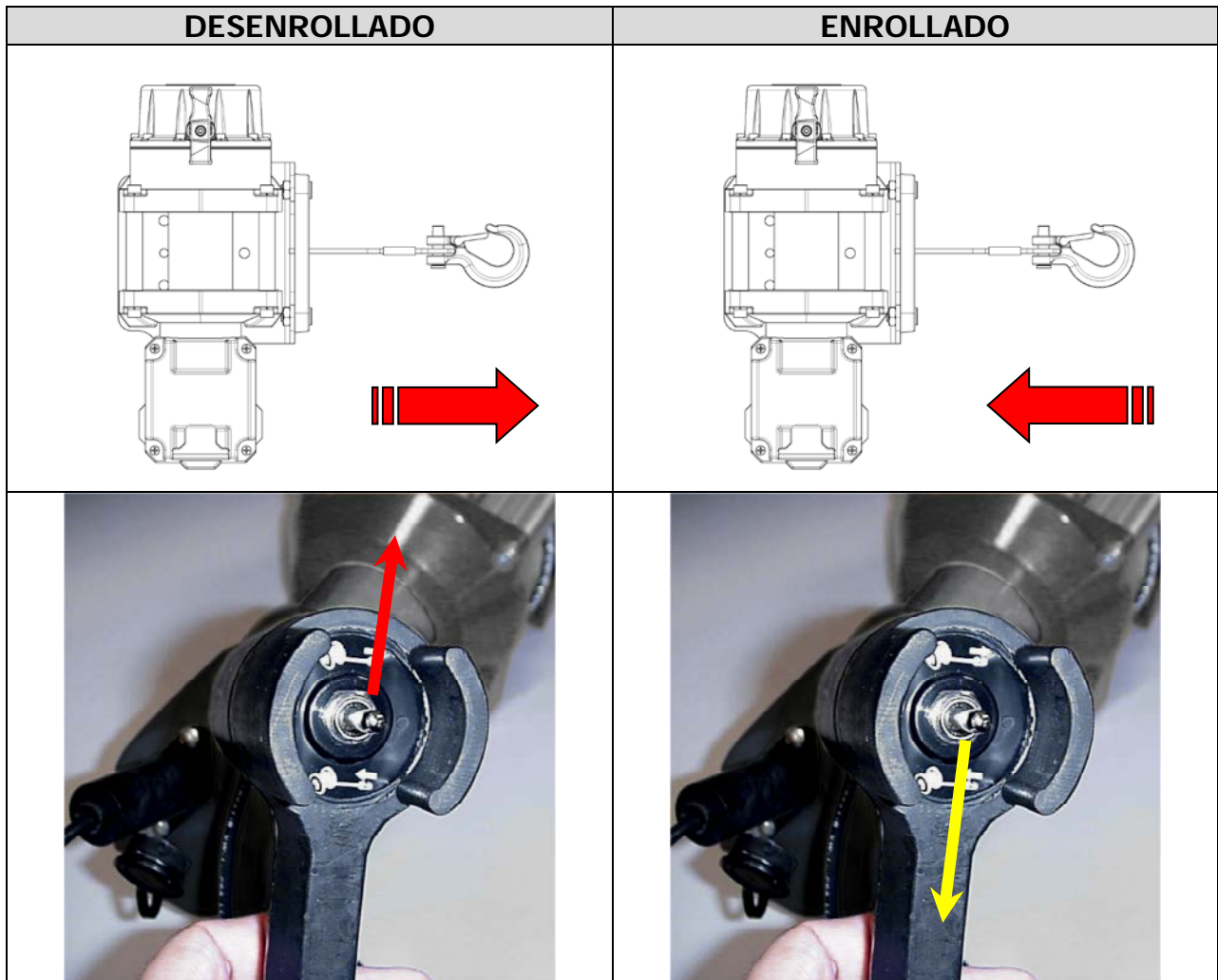
- Que el cableado de todos los componentes sea correcto.
- Que no haya cables o terminales expuestos. Cubra aquellos que estén expuestos con hoja aislante, funda de terminal, entubación por contracción al calor o cinta adhesiva de electricista.

## Instrucciones de operación

### CÓMO USAR EL CONTROL REMOTO COLGANTE

El control remoto colgante está conectado al cabrestante por cable y puede operarse alejado de la unidad del cabrestante o con el control acoplado a la placa transportadora.

Pulse el botón negro para desenrollar el cable del tambor, o pulse el botón blanco para enrollar el cable en el tambor.





### ACCIONAMIENTO DEL EMBRAGUE

## ADVERTENCIA

### Peligro durante el funcionamiento del cabrestante

De no seguirse estas instrucciones podrían producirse lesiones de gravedad o la muerte.

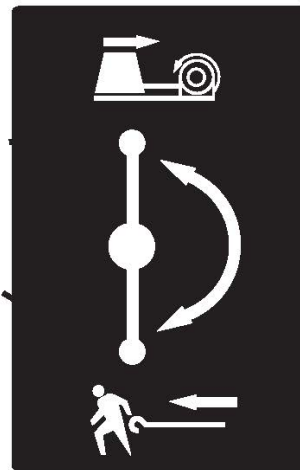
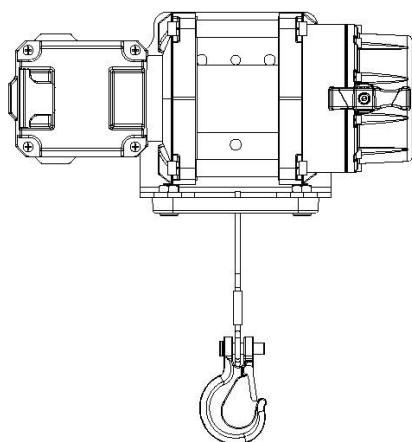
- No embrague ni desembrague nunca si el cabrestante se encuentra con carga o si el cable tiene tensión.

Cuando el embrague está activado, el sistema de engranajes se acopla al tambor del cable y, en estas condiciones, puede transferirse movimiento desde el motor del cabrestante. Cuando el embrague está en el modo de enrollado libre, el sistema de engranajes y el tambor del cable están desengranados, lo que permite que el tambor gire libremente. La palanca del embrague, situada en la parte superior del motor, controla la posición del mismo. Para evitar daños, engrane y desengrane siempre completamente la palanca del embrague.

Activado



Desactivado – Enrollado libre

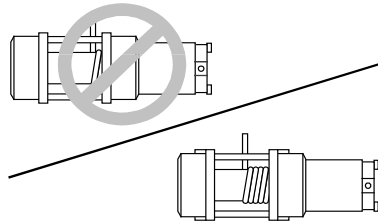


## Instrucciones de operación - Continuación

### DESENROLLADO

Generalmente, el desenrollado manual es la forma más rápida y sencilla de sacar el cable hacia afuera. Antes de proceder al desenrollado manual, saque suficiente cable a fin de eliminar cualquier tensión en la que pueda estar sometido el mismo antes de desembragar. A continuación, proceda al desenrollado manual, sacando manualmente suficiente cable para la operación.

### ⚠ PRECAUCIÓN



#### Peligro de lesiones

**De no seguirse estas instrucciones podrían producirse lesiones menores o de poca gravedad.**

- Lleve puestos siempre guantes gruesos de cuero para manipular el cable.
- No accione el cabrestante si no hay al menos 5 vueltas de cable alrededor del tambor.

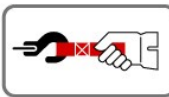
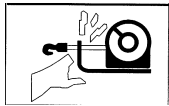
### TENSIÓN DEL CABLE

La vida útil del cable está directamente relacionada con la forma en que se utiliza y se cuida el mismo. Durante su primer uso, un cable nuevo debe enrollarse en su tambor bajo una carga de por lo menos 227 kg (500 libras). Desenrolle todo el cable dejando 5 vueltas en el tambor y a continuación, enrolle el cable bajo una carga de 227 kg (500 libras) o más. Esto tensará el cable nuevo y creará un correcto enrollado del mismo alrededor del tambor. De no hacerse así, las vueltas exteriores se podrían trabar con las vueltas interiores produciendo atascamientos y daños en el cable.

### ⚠ ADVERTENCIA

#### Peligro de enredo en las piezas móviles

**De no seguirse estas instrucciones podrían producirse lesiones de gravedad o la muerte.**



- Mantenga **siempre** las manos alejadas del cable, del bucle del gancho, del gancho y de la abertura de la guía durante la instalación, la operación, y en el enrollado y desenrollado.
- Utilice **siempre** la correa del gancho suministrada cuando vaya a enrollar o desenrollar el cable, o durante la instalación o la operación, para evitar daños en las manos.

### ENROLLADO CON CARGA

- ❑ El cable debe enrollarse alrededor del tambor en el sentido indicado por la marca de rotación que hay en el cabrestante.
- ❑ Enrolle el cable uniformemente y bien tensado alrededor del tambor. Esto evita que las vueltas más externas del cable se traben con las vueltas internas, lo cual puede ocasionar atascamientos y daños al cable.
- ❑ Evite las sacudidas de la carga cuando esté enrollando; para ello, utilice el interruptor de control de forma intermitente a fin de tensar y hacer entrar las porciones del cable que puedan quedar flojas. Las sacudidas de la carga pueden sobrepasar momentáneamente la capacidad nominal del cabrestante y del cable.

### ENROLLADO SIN CARGA

- ❑ **Con asistencia:** Pida a su ayudante que sujete el gancho y la correa del mismo, tensando el cable de forma constante y tanto como sea posible. Manteniendo tenso el cable, el ayudante debe caminar hacia el cabrestante mientras usted acciona el interruptor de control para enrollar el cable. Suelte el interruptor cuando el gancho esté a una distancia mínima de 1,2 m (4 pies) de la abertura de la guía. Luego, enrolle la parte final del cable para su almacenamiento.
- ❑ **Sin asistencia:** Disponga el cable de forma que no se doble ni se trabe al enrollarlo. Asegúrese de que el cable ya enrollado alrededor del tambor esté bien tenso y dispuesto en capas uniformes. Enrolle el cable lo suficiente para formar la siguiente capa completa alrededor del tambor. Tense y enderece la capa. Repita este proceso hasta que el gancho quede a una distancia mínima de 1,2 m (4 pies) de la guía para el cable. Luego, enrolle la parte final del cable para su almacenamiento.

### ENROLLADO DE LA PARTE FINAL PARA EL ALMACENAMIENTO

No toque el cable, el gancho ni la abertura de la guía. Siempre utilice la correa del gancho para sujetar el mismo al enrollar el cable cuando no haya carga. Con mucho cuidado, vaya enrollando la parte final del cable activando y desactivando repetidamente el interruptor de control a fin de enrollar la parte floja final. Fije el gancho en un punto de anclaje adecuado cercano al cabrestante. Asegúrese de no tensar en exceso ya que ello podría dañar el cable o el punto de anclaje.

### MANIOBRADO

- ❑ Siempre desenrolle cuanto más cable sea posible al prepararse para el maniobrado. Elija el punto más alejado posible de fijación; esto proporciona al cabrestante mayor capacidad de tracción.
- ❑ El uso de línea de doble cable y una polea reduce la carga del cabrestante a la mitad sin pérdida significativa de la velocidad de enrollado.
- ❑ Los puntos de anclaje naturales como, por ejemplo, árboles, tocones y rocas, son los más cómodos cuando están disponibles. Acople una cadena o un cable de estrangulación, o un protector de tronco de árbol al punto de anclaje, a la menor altura posible, para evitar derribarlo. Si hay varios puntos de anclaje disponibles pero no son lo suficientemente resistentes por separado, puede acoplar un cable o una cadena de estrangulación alrededor de varios puntos a fin de formar un punto de anclaje "colectivo" lo suficientemente resistente.

## Instrucciones de operación - Continuación

### SOBRECARGA/SOBRECALENTAMIENTO

El cabrestante está indicado para un servicio intermitente. No se debe poner en funcionamiento con el motor reducido a bajas RPM. Cuando el motor se aproxima a la velocidad crítica, se genera calor muy rápidamente, lo que puede ocasionar daños al motor. El uso de línea de doble cable reducirá los amperios del motor, permitiendo un uso continuo mayor (vea la sección del maniobrado).

## Mantenimiento y garantía

### MANTENIMIENTO

- ❑ No se requiere lubricación durante la vida útil del cabrestante.
- ❑ Inspeccione el cable de tiro antes y después de cada operación efectuada con el cabrestante. Si presenta daños, sustitúyalo.

# GARANTÍA

**Vea la hoja adicional incluida con el cabrestante**

**-0-**

**Si la hoja de la garantía se ha perdido, póngase en contacto con  
Warn Industries, Inc.  
Customer Service Dept.  
12900 SE Capps Rd  
Clackamas, OR 97015-8903.**

**Estados Unidos:**

Teléfono: 503.722.1200 ó (800) 543-9276 (EE.UU. solamente)

Fax: 503.722-3000

**Internacional:**

Teléfono: 503.722.3008

Fax: 503.722.3005

© 2017 Copyright Warn Industries, Inc. All rights reserved.





# GUIDE DE L'UTILISATEUR DU TREUIL

## Treuil utilitaire WARN® 5000


Numéro de pièce : 99964, 99963



Votre sécurité et celle des autres est très importante. Pour vous permettre de prendre des décisions éclairées dans le domaine de la sécurité, nous vous avons fourni des instructions relatives à l'installation et à l'utilisation du produit ainsi que d'autres informations figurant sur des étiquettes apposées sur le produit. Ces informations attirent l'attention sur les dangers potentiels pouvant vous affecter ainsi qu'autrui. Nous ne sommes pas en mesure de vous mettre en garde contre tous les dangers potentiels associés à ce produit. Il vous incombe par conséquent de faire preuve de jugement.

**TOUTE INSTALLATION OU UTILISATION IMPRUDENTE DU TREUIL PEUT ENTRAÎNER DES BLESSURES GRAVES OU ENDOMMAGER L'ÉQUIPEMENT. PRENDRE SOIN DE LIRE ET DE BIEN ASSIMILER LES CONSIGNES DE SÉCURITÉ ET D'UTILISATION DU PRODUIT AVANT DE L'INSTALLER ET DE L'UTILISER.**

Ce guide identifie les dangers potentiels et comporte des consignes de sécurité importantes qui permettent, à vous et à autrui, d'éviter les risques de blessures graves ou de mort. Les termes **AVERTISSEMENT** et **ATTENTION** sont des indicateurs du niveau de danger. Signification des indicateurs :

 **Le terme AVERTISSEMENT** souligne un danger potentiel qui *peut* entraîner des blessures graves ou la mort si vous ne suivez pas les consignes.

 **Le terme ATTENTION** souligne un danger potentiel *susceptible* d'entraîner des blessures mineures ou modérées si vous ne suivez pas les consignes.

Ce guide utilise le terme **AVIS** pour attirer votre attention sur des informations mécaniques importantes, et le terme **Remarque** : pour souligner des informations générales qui méritent une attention particulière.

## Description du produit : Treuil utilitaire WARN® 5000

Le treuil utilitaire WARN® 5000 est un puissant outil de traction. Alimenté par une source de 12 volts c.c., ce treuil compact possède une capacité de traction de 2268 kilos.

L'appareil est doté d'une télécommande permettant d'enrouler et dérouler le câble, d'un câble de 18,3 m de long et 6,35 mm de diamètre et d'un crochet avec fermoir de sécurité. L'embrayage à déroulement en roue libre fait partie de l'équipement standard.

## Introduction

Merci d'avoir choisi le treuil utilitaire WARN®. Tous les produits WARN® ont été conçus et fabriqués de manière à assurer un fonctionnement sans problèmes pendant des années. Prière de noter les informations suivantes à titre de référence :

**Numéro de modèle/pièce :** \_\_\_\_\_ **Date d'achat :** \_\_\_\_\_

## Avant de commencer

- Lire les instructions intégralement afin de se familiariser avec la procédure d'installation.
- Prière de relire tous les avis, mises en garde et avertissements pour s'assurer que le kit est installé correctement et en toute sécurité.

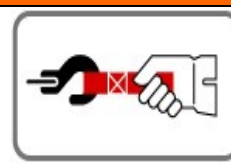
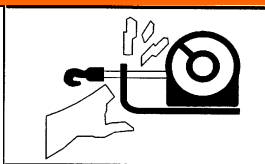
## Mesures de sécurité

Voici quelques mesures générales de sécurité que tout utilisateur du treuil se doit de connaître. Cependant, au-delà de toute consigne, la règle la plus importante à suivre est celle-ci : **FAIRE PREUVE DE BON SENS.**

Les quelques minutes consacrées à la lecture de ces consignes permettront à tout opérateur d'être conscient des pratiques dangereuses à éviter et des précautions qu'il pourra prendre pour assurer sa sécurité et celle d'autrui. Une vérification fréquente ainsi que des inspections périodiques de l'équipement et l'application consciencieuse des consignes de sécurité pourront permettre de sauver des vies et d'économiser temps et argent.



### AVERTISSEMENT



#### DANGER DE HAPPEMENT PAR DES PIÈCES MOBILES

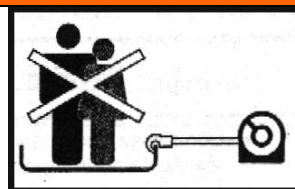
Le non-respect des instructions peut entraîner des blessures graves, voire mortelles.

Pour éviter de se blesser les mains ou les doigts :

- **Toujours** garder les mains éloignées du câble, de la boucle du crochet, du crochet et de l'ouverture du guide-câble durant l'installation et l'utilisation du treuil et l'enroulement ou le déroulement du câble.
- **Toujours** faire très attention durant la manipulation du crochet et du câble pendant les manœuvres de déroulement.
- **Toujours** utiliser le cordon du crochet fourni pour enrouler ou dérouler le câble, durant l'installation ou l'utilisation, pour éviter de se blesser les mains ou les doigts.



### AVERTISSEMENT



#### DANGER DE CHUTE OU D'ÉCRASEMENT

Le non-respect des instructions peut entraîner des blessures graves, voire mortelles.

- **Ne jamais** utiliser l'appareil comme palan aérien ou pour suspendre une charge.
- **Ne jamais** utiliser l'appareil pour soulever ou transporter des personnes.

# ATTENTION

## DANGER DE HAPPEMENT PAR DES PIÈCES MOBILES

**Le non-respect des instructions peut entraîner des blessures mineures ou modérées.**

### Consignes de sécurité générales :

- **Toujours** se familiariser avec le treuil : Prendre le temps de bien lire et comprendre le manuel d'installation et d'utilisation ainsi que le manuel de base des techniques de treuillage inclus avec le treuil afin de se familiariser avec l'appareil et son fonctionnement.
- Les personnes âgées de moins de 16 ans ne doivent **jamais** faire fonctionner cet appareil.
- **Ne jamais** faire fonctionner l'appareil sous l'effet de drogues, de l'alcool ou de médicaments.
- **Ne jamais** excéder la capacité nominale du treuil ou du câble d'acier. Un câblage double avec poulie ouvrante permet de réduire la charge subie par le treuil.

### Consignes de sécurité se rapportant à l'installation :

- **Toujours** choisir une surface de montage suffisamment résistante pour supporter la capacité de traction maximale du treuil.
- **Toujours** utiliser des interrupteurs, télécommandes, accessoires et composants d'installation homologués par le fabricant.
- **Toujours** utiliser un matériel de catégorie 5 ou supérieur, ne jamais souder les boulons ni utiliser des boulons plus longs que ceux fournis par le fabricant.
- **Toujours** achever le montage du treuil et la fixation du crochet à sa boucle avant d'effectuer le câblage du treuil durant l'installation.
- **Toujours** positionner le guide-câble avec l'étiquette d'AVERTISSEMENT sur le dessus.
- **Toujours** enrouler le câble sur le tambour tel qu'indiqué par l'autocollant de rotation apposé sur le treuil. Nécessaire pour que le frein automatique puisse fonctionner (le cas échéant) et pour assurer une installation dans le bon sens.
- **Toujours** étirer au préalable le câble d'acier et l'enrouler sous charge avant de l'utiliser. Un câble enroulé de manière serrée permet de réduire le risque qu'il coince, c'est-à-dire que si le câble s'enroule de façon lâche, il peut s'enchevêtrer et s'endommager lui-même.

### Consignes de sécurité concernant le treuillage :

- **Toujours** inspecter l'installation du treuil et l'état du câble métallique avant de faire fonctionner le treuil. Tout câble effiloché, tordu ou endommagé doit être remplacé immédiatement. Toute installation de treuil desserrée ou endommagée doit être corrigée immédiatement.
- **Ne jamais** accrocher le câble à lui-même. Cela l'endommagerait. Toujours utiliser une chaîne ou un câble à nœud coulant, ou bien une protection de tronc d'arbre sur le point d'ancrage.
- **Toujours** s'assurer que tous les obstacles potentiels sont écartés, avant de commencer le treuillage.
- **Toujours** prendre le temps de bien procéder au câblage avant d'utiliser le treuil.
- **Toujours** s'assurer que le point d'ancrage choisi peut supporter la charge et que la sangle ou la chaîne ne glisse pas.
- **Ne jamais** essayer d'embrayer ou de débrayer si le treuil est sous charge, si le câble est en tension ou si le tambour est en train de tourner.
- **Toujours** dérouler autant de câble que possible avant de procéder au câblage. Utiliser une ligne double ou choisir un point d'ancrage distant.
- **Ne jamais** utiliser le treuil avec moins de 5 spires de câble enroulées autour du tambour, car le câble pourrait se dérouler du tambour, étant donné que l'ancrage du câble n'est pas conçu pour retenir une charge.
- **Toujours** se tenir à l'écart du câble et de la charge durant l'utilisation.
- **Ne jamais** toucher le câble ou le crochet lorsque le câble est tendu ou sous charge.
- **Ne jamais** toucher le câble ou le crochet lorsqu'une autre personne est à l'interrupteur de commande ou durant le fonctionnement du treuil.
- **Ne jamais** toucher le câble ou le crochet lorsque la télécommande est branchée sur le treuil.
- **Toujours** se tenir à l'écart du câble et de la charge durant l'utilisation et ne jamais laisser personne s'approcher.
- **Toujours** exiger de l'opérateur et des personnes présentes d'être conscients de la stabilité du véhicule ou de la charge.
- **Toujours** garder la télécommande à l'écart du tambour, du câble et du câblage. S'assurer qu'il n'y a pas de fissures, de points de pincement, de fils effilochés ou de connexions desserrées. Remplacer en cas de dommages.



## Mesures de sécurité - Suite

### ⚠ ATTENTION



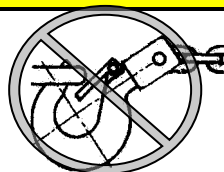
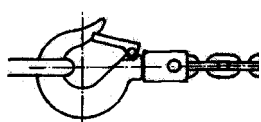
#### RISQUE DE COUPURE ET DE BRÛLURE

Le non-respect des instructions peut entraîner des blessures mineures ou modérées.

Pour éviter de se blesser les mains ou les doigts :

- **Toujours** porter des gants de cuir résistants durant la manipulation du câble d'acier.
- **Ne jamais** laisser le câble glisser dans les mains.
- **Toujours** penser aux surfaces chaudes au niveau du moteur du treuil, du tambour ou du câble durant ou après l'utilisation du treuil.

### ⚠ ATTENTION



#### Danger de happement par des pièces mobiles

Le non-respect des instructions peut entraîner des blessures mineures ou modérées.

- Ne jamais appliquer la charge sur l'extrémité du crochet ou le loquet. Appliquer la charge au centre du crochet seulement.
- Ne jamais utiliser un crochet dont la gorge s'est élargie ou dont l'extrémité est courbée ou tordue

## AVIS

### ÉVITER D'ENDOMMAGER LE TREUIL ET L'ÉQUIPEMENT

- **Toujours** éviter de tirer continuellement sur le côté, ce qui a pour effet d'empiler le câble sur l'une des extrémités du tambour. Cela peut endommager le câble ou le treuil.
- **Toujours** s'assurer d'avoir complètement embrayé ou complètement débrayé.
- **Ne jamais** se servir du treuil pour remorquer d'autres véhicules. Les charges de choc peuvent momentanément dépasser de loin la capacité du treuil du câble.
- **Toujours** faire attention à ne pas endommager le cadre si l'on décide d'arrimer le véhicule pour pouvoir travailler avec le treuil.
- **Ne jamais** « secouer » le câble sous charge. Les charges de choc peuvent momentanément dépasser de loin la capacité du treuil et du câble.
- **Ne jamais** se servir du treuil pour maintenir une charge pendant le transport.
- **Ne jamais** submerger le treuil dans l'eau.
- **Toujours** ranger le treuil dans un endroit sûr, propre et sec.

## Numéros de pièce et extrémités de cordon du WARN 5000

NUMÉROS DE PIÈCE	
99964	Treuil utilitaire 12 V c.c. n° 5000
99963	Treuil utilitaire (international) 12 V c.c n° 5000

## Liste des pièces

Le treuil utilitaire WARN® 5000 comprend les composants principaux suivants.



1. Treuil WARN 5000	2. Télécommande à fil de 3,7 m (12 pi)
3. Guide-câble	4. Câble de 1,8 m (6 pi), calibre 6 (2)
5. Crochet avec loquet et sangle de crochet	6. Matériel de montage

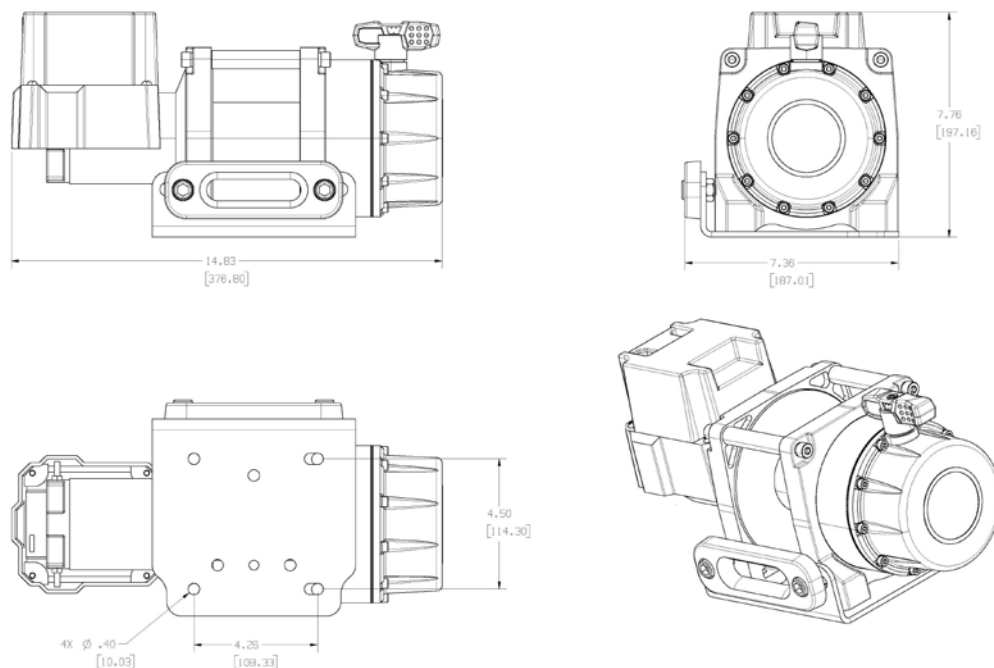
## Spécifications techniques du WARN 5000

CARACTÉRISTIQUES			
Capacité de traction	2268 kg (5000 lb)	Frein	Système de freinage mécanique dynamique
Type d'interrupteur	Télécommande à fil de 3,7 m (12 pi)	Garantie	Limitée d'un an
Moteur	Aimant permanent	Câble	18,3 m X 6,35mm (1/4 po x 60 pi)
Puissance	0,45 kW (1,9 CV), 7,62 cm de diamètre	Diamètre du tambour	6,35 cm (2,5 po)
Alimentation	12 V c.c.	Guide-câble	Ecubier
Train d'engrenages	Planétaire à 3 étages	Disposition des trous	4 trous
Rapport de démultiplication	216/01	Fils électriques	Câble de 1,8 m (6 pi), calibre 6 (2)
Embrayage	Levier multidirectionnel	Poids	19,1 kg (42 lb)

## Données de performance du WARN 5000

DONNÉES DE PERFORMANCE : 5000							
Charge		Courant	Vitesse		Puissance de traction, couche de câble		
Lbs.	Kg	Intensité (A)	pi/min	M/min	Couche	lbs.	kg
0	0	40	13.8	4.2	1	5000	2268
1000	453.6	81	10.9	3.3	2	4280	1941
2000	907.2	118	9.3	2.8	3	3750	1701
3000	1360.8	152	8.1	2.5	4	3341	1515
4000	1814.4	188	6.8	2.1	5	3020	1369
5000	2268	220	5.4	1.6			

## Données dimensionnelles du WARN 5000



## Installation du treuil sur un emplacement fixe

### **! ATTENTION**

#### **Danger de défaillance du treuil**

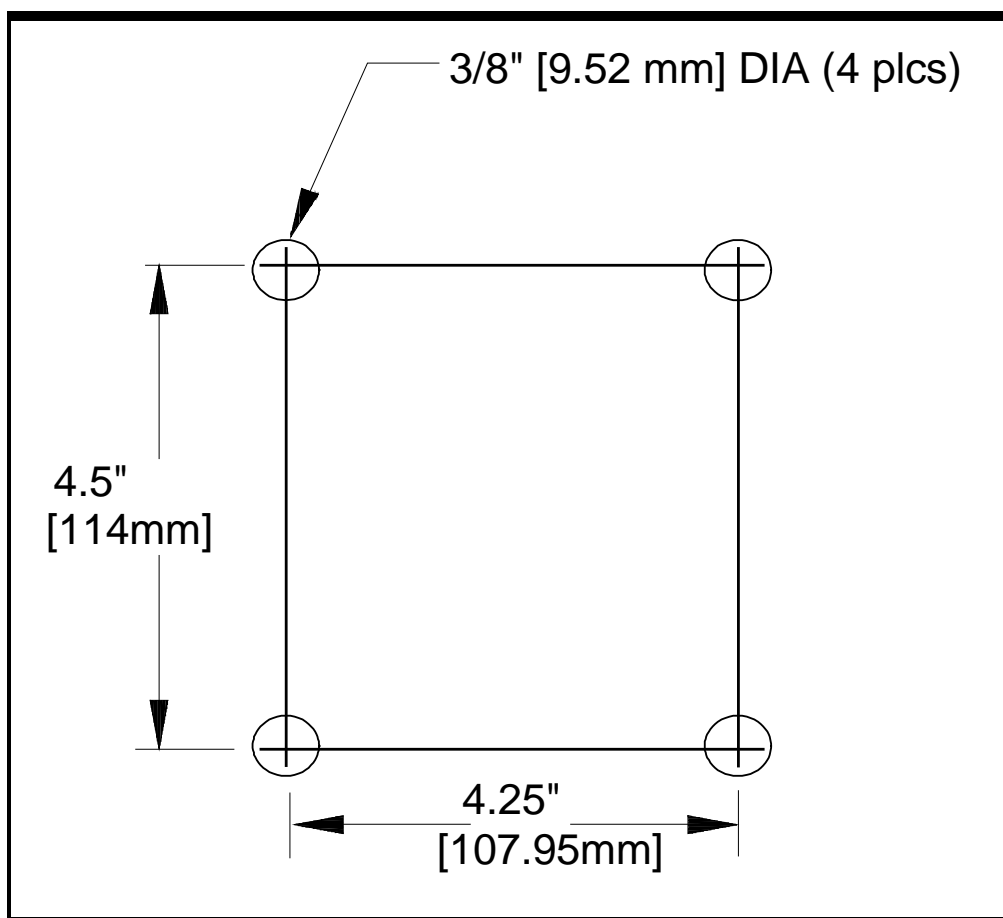
**Le non-respect des instructions peut entraîner des blessures mineures ou modérées.**

- ❑ **Toujours choisir une surface de montage suffisamment résistante pour supporter les charges qui seront halées.**

Le 5000 peut être installé sur un emplacement fixe au moyen des trous de montage du treuil. Choisir tout d'abord une surface de montage suffisamment résistante pour supporter les charges qui seront halées.

Percer ensuite 4 trous selon les dimensions spécifiées sur le dessin ci-dessous.

#### Disposition des trous de la plaque de montage



## Installation du treuil sur un emplacement fixe-suite

Pour fixer le treuil, toujours se servir des éléments suivants :

- Une surface de montage plate et sûre en acier d'une épaisseur d'au moins 4,8 mm.
- 4 rondelles d'arrêt de 3/8 po.
- 4 vis à tête hexagonale de 3/8-16 x 1 po de long, catégorie 5 ou supérieure.
- Visser les boulons de fixation à un couple de 41 à 47 Nm.

Il se peut que les boulons doivent être plus longs que spécifiés ci-dessus selon l'épaisseur du matériau auquel est fixé le treuil.

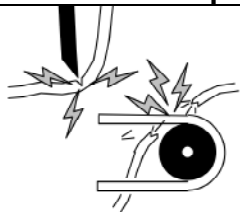
## Installation du Câblage



### AVERTISSEMENT

#### Risque de choc électrique

**Le non-respect des consignes peut entraîner des blessures graves ou la mort.**



- Ne faites pas passer les câbles électriques sur des bords tranchants.
- Ne faites pas passer les câbles électriques à travers des pièces mobiles ou à proximité.
- Lisez et suivez toutes les instructions de câblage indiquées dans le manuel de l'utilisateur.
- Isolez et protégez tous les fils et bornes électriques exposés.

- Raccordements électrique : câble rouge connecté à la borne positive, câble noir connecté à la borne négative.
- Assurez-vous que toutes les connexions sont propres et bien serrées.

Avant d'utiliser le treuil, veuillez vérifier les points suivants :

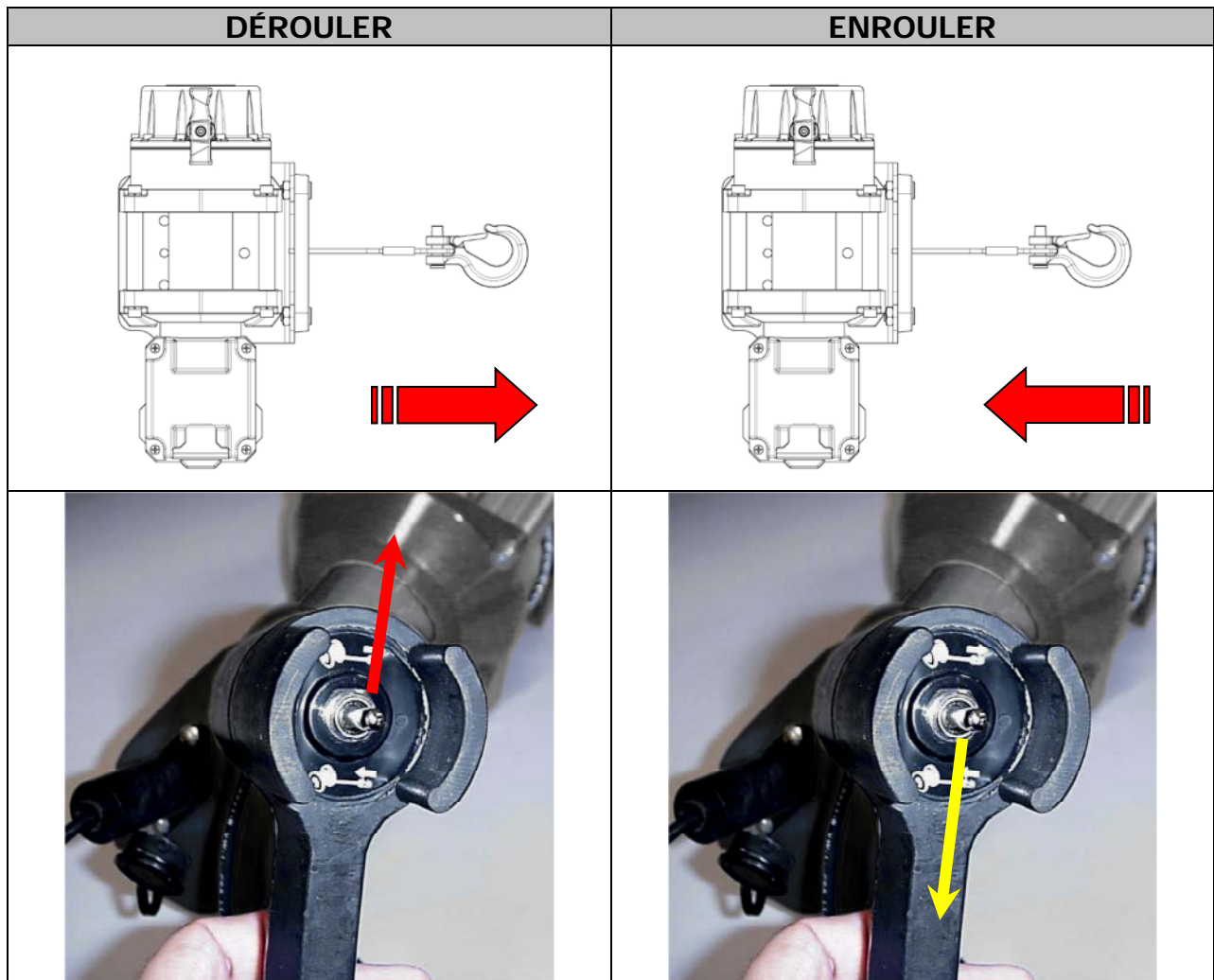
- Le câblage de tous les composants est correct.
- Aucun câble ni aucune borne n'est exposé. Couvrez-les sinon à l'aide de plaques isolantes, capuchons, gaines thermorétractables ou ruban isolant.

## Mode d'emploi

### UTILISATION DE LA TÉLÉCOMMANDE CÂBLÉE

La télécommande est câblée au treuil et peut être actionnée à distance du treuil ou en la rangeant dans la plaque de support.

Appuyer sur le bouton noir pour dérouler le câble ou sur le bouton blanc pour enrouler le câble sur le tambour



FONCTIONNEMENT DE L'EMBRAYAGE



**AVERTISSEMENT**

**Danger lié au fonctionnement du treuil**

**Le non-respect des instructions peut entraîner des blessures ou des dommages matériels.**

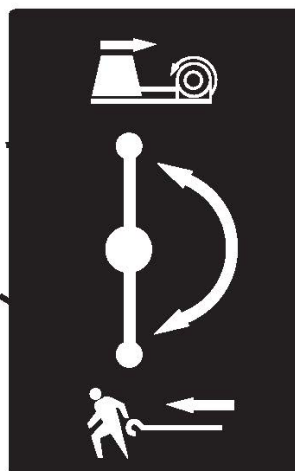
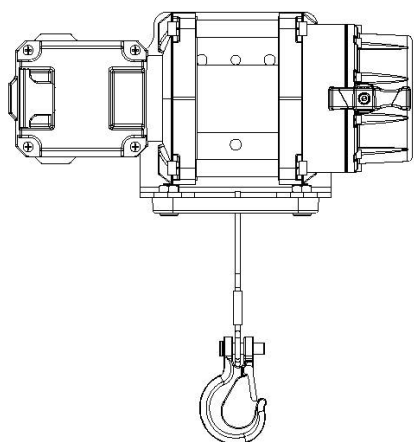
- Ne jamais essayer d'embrayer ou de débrayer si le treuil est sous charge ou si le câble est sous tension.**

Lorsque l'embrayage est en prise, le train d'engrenages est couplé au tambour du câble et l'entraînement peut alors être transféré du moteur du treuil. Lorsque l'embrayage est en mode de déroulement en roue libre, le train d'engrenages et le tambour se découplent, ce qui permet au tambour de tourner librement. Le levier d'embrayage, situé en haut du moteur, contrôle la position de l'embrayage. Pour éviter tout dommage, tourner complètement le levier d'embrayage dans l'une ou l'autre position.

**Embrayage**



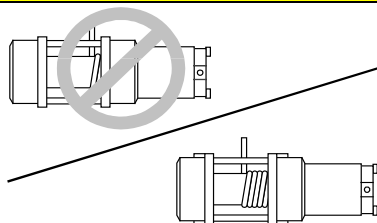
**Désembrayage - Roue libre**



### DÉROULEMENT DU CÂBLE

Le déroulement en roue libre constitue généralement la façon la plus rapide et la plus facile de dérouler le câble. Avant de mettre le treuil en roue libre pour dérouler le câble, dérouler au moteur une quantité suffisante de câble avant de débrayer pour soulager le câble de toute tension. On peut alors dérouler manuellement une quantité suffisante de câble pour pouvoir travailler avec le treuil.

### ATTENTION



#### Risque de blessures

**Le non-respect des instructions peut entraîner des blessures mineures ou modérées.**

- Toujours porter des gants de cuir durant la manipulation du câble d'acier.
- Ne jamais utiliser le treuil avec moins de 5 spires de câble enroulées autour du tambour.

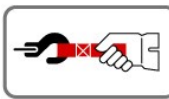
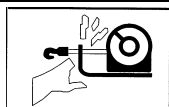
### ÉTIREMENT DU CÂBLE

La durée de vie d'un câble est liée directement à son entretien et à son utilisation. Lors de sa première utilisation, un câble neuf doit être enroulé sur son tambour sous une charge d'au moins 227 kg. Dérouler entièrement le câble de façon à ne laisser que 5 spires sur le tambour, puis enrouler le câble sous une charge de 227 kg ou plus. Ceci permet d'étirer un câble neuf et de bien l'enrouler sur le tambour. Sinon, les spires extérieures risquent de s'enfoncer dans les spires intérieures, ce qui peut coincer et endommager le câble.

### AVERTISSEMENT

#### Danger de happement par des pièces mobiles

**Le non-respect des consignes peut entraîner des blessures graves ou la mort.**



- TOUJOURS** garder les mains éloignées du câble, de la boucle du crochet, du crochet et de l'ouverture du guide-câble durant l'installation et l'utilisation du treuil et l'enroulement ou le déroulement du câble.
- TOUJOURS** utiliser le cordon du crochet fourni pour enrouler ou dérouler le câble, durant l'installation ou l'utilisation, pour éviter de se blesser les mains ou les doigts.



### ENROULEMENT SOUS CHARGE

- ❑ Le câble d'acier doit toujours être enroulé sur la partie inférieure du tambour tel qu'indiqué par l'autocollant apposé sur le treuil.
- ❑ Enrouler mécaniquement le câble sur le tambour de manière uniforme et serrée. Cela empêche les spires extérieures de s'enfoncer dans les spires intérieures, ce qui peut coincer et endommager le câble.
- ❑ Pour éviter les charges de choc durant l'enroulement du câble, actionner l'interrupteur de commande de manière intermittente afin d'éliminer le mou du câble. Les charges de choc peuvent momentanément dépasser de loin la capacité du treuil et du câble.

### ENROULEMENT À VIDE

- ❑ **Enroulement assisté** : Demander à un assistant de tenir le crochet avec une corde ou un chiffon en appliquant une tension aussi constante que possible sur le câble. Tout en maintenant la tension, il devra se déplacer en direction du treuil pendant l'actionnement de l'interrupteur de commande pour enrouler le câble. Relâcher l'interrupteur lorsque le crochet parvient à une distance minimum de 1,2 m de l'ouverture du guide-câble. Enrouler le reste du câble.
- ❑ **Enroulement non assisté** : Arranger le câble à enrouler de manière à ce qu'il ne s'entortille ni ne s'emmêle pendant le rembobinage. S'assurer que le câble est enroulé sur le tambour de manière uniforme et serrée. Enrouler une quantité suffisante de câble pour compléter une couche entière sur le tambour. Serrer et étaler de manière égale la couche de câble. Refaire de même jusqu'à ce que le crochet soit à au moins 1,2 m du guide-câble. Enrouler le reste du câble.

### ENROULEMENT DU RESTE DU CÂBLE POUR LE RANGER

Éloigner les mains du câble, du crochet et de l'ouverture du guide-câble. Toujours utiliser un chiffon ou un cordon pour tenir le crochet lorsque le câble est enroulé à vide. Enrouler mécaniquement le reste du câble avec soin, en actionnant l'interrupteur de commande par petits coups afin d'éliminer le mou restant. Fixer le crochet à un point d'ancrage approprié près du treuil. Éviter de trop tendre pour ne pas endommager le câble ou le point d'ancrage.

### CÂBLAGE

- ❑ Toujours dérouler autant de câble que possible avant de procéder au câblage. Choisir un point d'ancrage approprié aussi distant que possible. Cela assure au treuil une puissance de traction maximum.
- ❑ Un câblage double avec poulie ouvrante permet de réduire de moitié la charge subie par le treuil sans perte sensible de vitesse de rembobinage.
- ❑ Des ancrages naturels tel qu'arbres, souches et rochers sont très utiles lorsqu'ils sont disponibles. Attacher une chaîne ou câble à nœud coulant ou une protection de tronc d'arbre sur le point d'ancrage aussi bas que possible pour éviter de tirer le point d'ancrage vers le bas. Si plusieurs ancrages sont disponibles mais qu'ils ne sont pas assez solides individuellement, il peut être pratique de les réunir en faisant un nœud coulant avec un câble ou une chaîne afin de constituer un puissant point d'ancrage collectif.

## Mode d'emploi - suite

### SURCHARGE/SURCHAUFFE

Ce treuil est conçu pour un service intermittent. Ne pas le faire fonctionner avec le moteur tournant à bas régime. Lorsque le moteur du treuil atteint une vitesse si faible qu'il peut caler, il se met à surchauffer très rapidement, ce qui peut l'endommager. Un câblage double permet de réduire la consommation de courant du moteur, ce qui permet une utilisation continue prolongée (voir la section Câblage).

## Entretien et garantie

### ENTRETIEN

- Aucune lubrification n'est nécessaire pendant la durée de service du treuil.
- Inspecter le câble avant et après chaque utilisation du treuil. Le remplacer s'il est endommagé.

## GARANTIE

Voir la feuille emballée avec le treuil

-ou-

**Si la feuille de garantie est perdue ou introuvable, contacter :**  
**Warn Industries, Inc.**  
**Customer Service Dept.**  
**12900 SE Capps Rd**  
**Clackamas, OR 97015-8903.**

**États-Unis :**

Tél : 503.722.1200 ou (800) 543-9276 (États-Unis seulement)  
Télécopie : 503.722.3000

**International :**

Tél : 503.722.3008  
Télécopie : 503.722.3005

© 2017 Copyright Warn Industries, Inc. All rights reserved.

