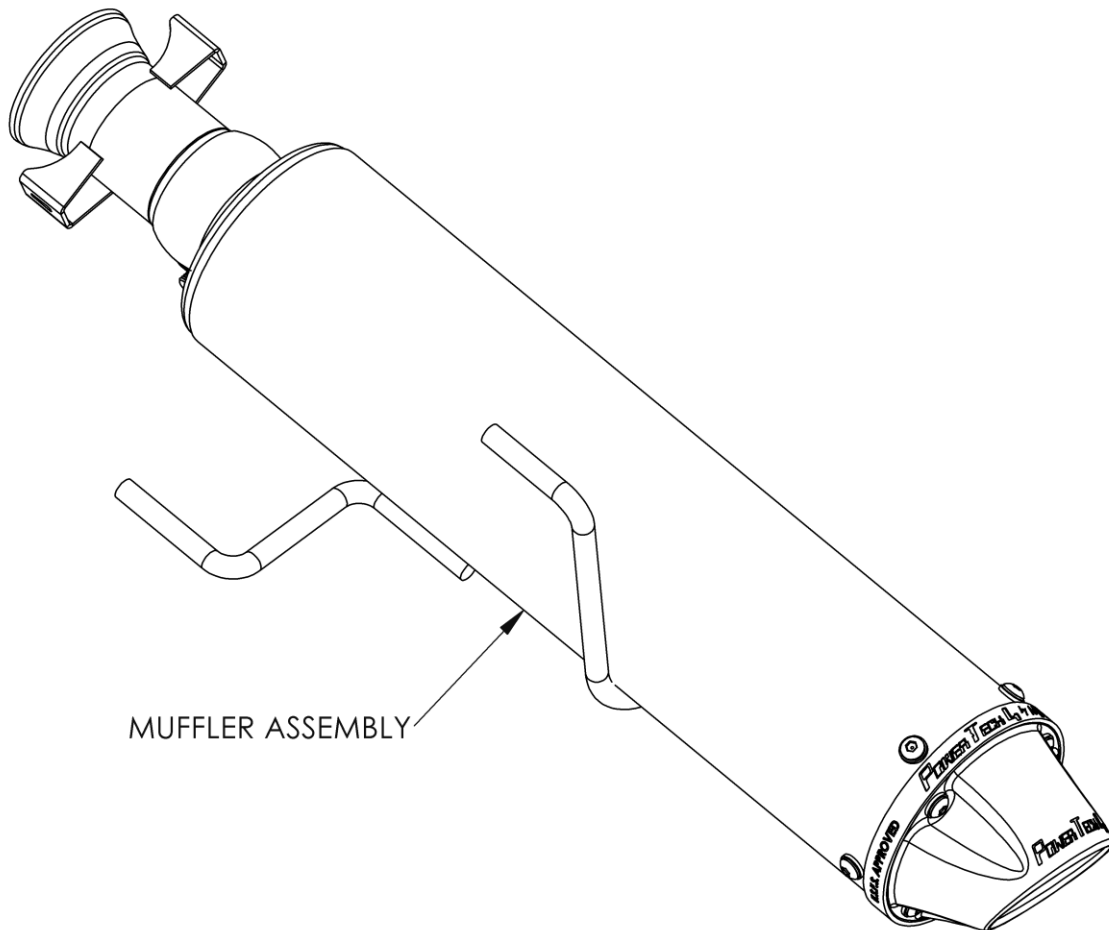


AT-9707PT

2014-UP ARCTIC CAT WILDCAT TRAIL
SXS, 2015 WILDCAT SPORT, SINGLE
SLIP-ON

MBRP
POWERSPORTS



PLEASE READ BEFORE STARTING INSTALLATION

While MBRP Inc. has made every effort to ensure that all components of this system are of superior quality and properly packaged, it is the installer's responsibility to ensure the following before removal of the factory exhaust:

- that ALL components shown above are present.
- that ALL mating components fit together.
- that there are no damaged components.
- that the system you have purchased is appropriate for your vehicle year, model and configuration.
- that the system will not interfere with any modifications previously installed or planned.
- that you have read and understand these instructions.

If you have any questions or are uncertain about any aspect of the installation of this system to your vehicle please contact your dealer before commencing installation.

Removal of Stock Exhaust:

1. Remove the 2 springs securing the muffler inlet to the exhaust pipe. Retain the springs for the installation. Leave the gasket on the vehicle exhaust pipe.
Refer to Figure 1.

2. Remove the muffler by sliding the hangers out of the rubber isolators.

Installation of MBRP Powersports Exhaust:

1. Slide the hanger rods into the rubber isolators on the vehicle. Insert the lower hanger first, it is designed longer to aid in the installation.
Refer to Figure 2.

Refer to Figure 2.

2. Mate the **Muffler Assembly** inlet pipe to the end of the exhaust pipe fitting over the gasket.
Refer to Figure 3.

Refer to Figure 3.

3. Secure the inlet using the previously removed stock springs. Hook the springs on the **Muffler Assembly** inlet pipe first, from the inside of the spring tab out, then hook the springs over the factory exhaust pipe.
Refer to Figures 3 and 4.

Refer to Figures 3 and 4.

*If necessary, the inlet pipe can be adjusted by loosening the muffler inlet clamp.

4. Ensure there is adequate clearance between the exhaust system and other parts of the vehicle or accessories.

Note: It is recommended that the muffler screws be retightened after the first ride and checked periodically thereafter, tightening if necessary.



Figure 1



Figure 2



Figure 3



Figure 4



Congratulations! You are ready to begin experiencing the improved performance and driving excitement of your MBRP Powersports ATV Exhaust upgrade. We know you will enjoy your purchase.



Figure 1



Figure 2



Figure 3



Figure 4

Spark Arrestor Maintenance

In order to maintain optimal performance, the spark arrestor screen should be cleaned after every 30-35 hours of use.

Clean-out Instructions:

Make sure the vehicle is cool before completing the clean-out procedure.

1. Using a 4mm hex key, remove the 4 screws securing the outlet cap or tip. **(Figure 1)**
2. Remove the outlet cap to expose the spark arrestor screen insert. **(Figure 2)**
3. Remove the screen insert. **(Figure 3)**
4. Using a wire brush, thoroughly brush the screen to remove residue. **(Figure 4)**
5. Replace the screen and cap.
6. Tighten the screws to 60 in-lbs (6.8 Nm).