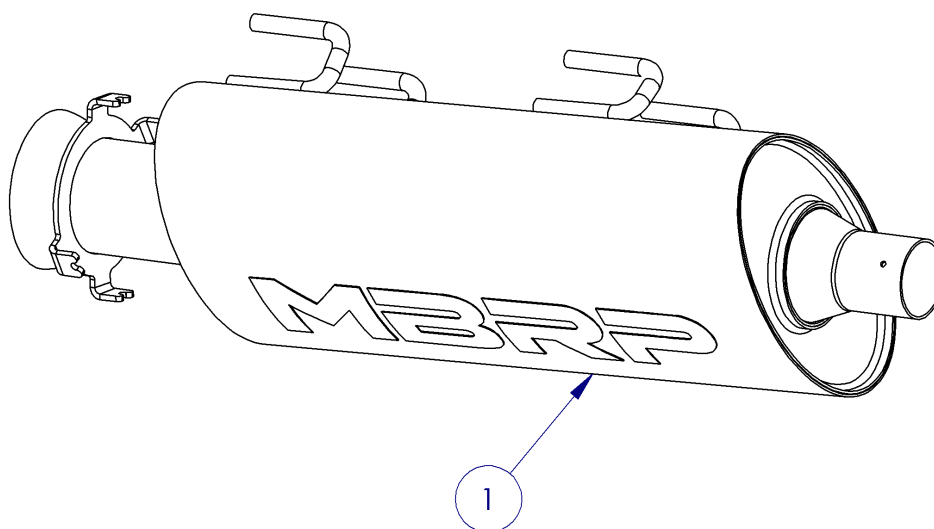


AT-9706SP

2015-2019 ARCTIC CAT WILDCAT X,
OVAL SLIP-ON

MBRP®



1. MUFFLER ASSEMBLY

PLEASE READ BEFORE STARTING INSTALLATION

While MBRP Ltd. has made every effort to ensure that all components of this system are of superior quality and properly packaged, it is the installer's responsibility to ensure the following before removal of the factory exhaust:

- that ALL components shown above are present.
- that ALL mating components fit together.
- that there are no damaged components.
- that the system you have purchased is appropriate for your vehicle year, model and configuration.
- that the system will not interfere with any modifications previously installed or planned.
- that you have read and understand these instructions.

If you have any questions or are uncertain about any aspect of the installation of this system to your vehicle please contact your dealer before commencing installation.

Removal of Stock Exhaust:

1. Unhook the four muffler retention springs. The springs will be re-used for installation. Refer to Figure 1.
2. Remove the muffler by sliding the hangers out of the rubber isolators. Refer to Figure 2.
3. Remove factory spark arrestor screw and spark arrestor. Keep for installation in the new Muffler Assembly. Refer to Figure 3.



Figure 1

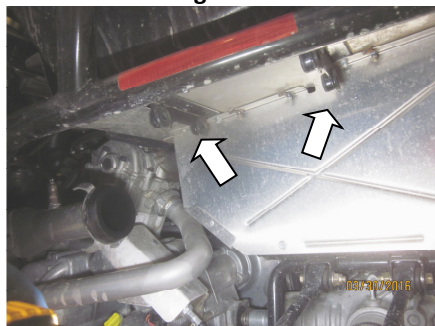


Figure 2



Figure 3



Figure 4



Figure 5

Installation of MBRP Exhaust:

1. Install factory spark arrestor into the Muffler Assembly using the factory screw.
2. Slide the hanger rods into the rubber isolators on the vehicle and mate the Muffler Assembly inlet pipe to the end of the exhaust pipe. Refer to Figure 4.
3. Install the factory muffler retention springs. Refer to Figure 5.



Congratulations! You are ready to begin experiencing the improved performance and driving excitement of your MBRP Ltd. ATV Exhaust upgrade. We know you will enjoy your purchase.