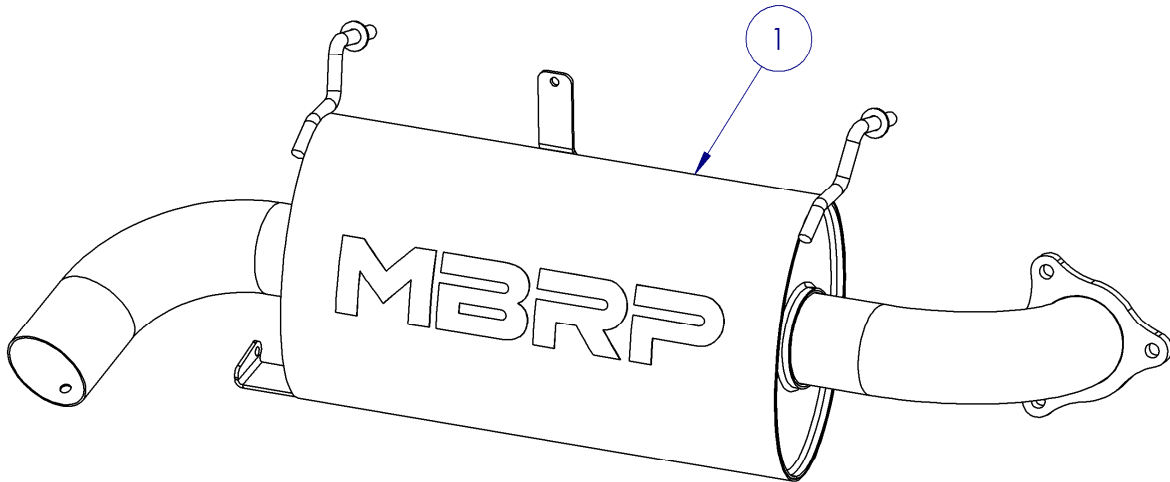


AT-9518SP

OVAL SLIP-ON EXHAUST ASSEMBLY
2016-2020 POLARIS RZR XP 1000 TURBO
2018-2020 POLARIS RZR XP TURBO S

MBRP®



1. MUFFLER ASSEMBLY

PLEASE READ BEFORE STARTING INSTALLATION

While MBRP Ltd. has made every effort to ensure that all components of this system are of superior quality and properly packaged, it is the installer's responsibility to ensure the following before removal of the factory exhaust:

- that ALL components shown above are present.
- that ALL mating components fit together.
- that there are no damaged components.
- that the system you have purchased is appropriate for your vehicle year, model and configuration.
- that the system will not interfere with any modifications previously installed or planned.
- that you have read and understand these instructions.

If you have any questions or are uncertain about any aspect of the installation of this system to your vehicle please contact your dealer before commencing installation.

MBRP®

Removal of Stock Exhaust:

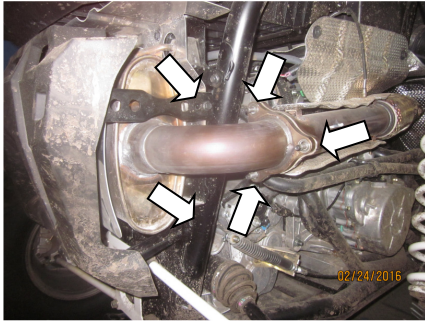


Figure 1



Figure 2



Figure 3



Figure 4



Figure 5

1. Remove the muffer cover by removing the four (4) screws securing the cover brackets to the vehicle. **Refer to Figure 1.**

2. Remove the 3 nuts securing the muffer inlet to the exhaust pipe. Do not discard them. Leave the gasket on the vehicle exhaust pipe, it is re-used for the installation. **Refer to Figure 1.**

3. Remove the upper and lower springs securing the muffer to the vehicle. Do not discard the springs.

4. Remove the muffer by sliding the hangers out of the rubber isolators.

5. Remove the stock spark arrestor from the muffer outlet and keep all parts.

Installation of MBRP Exhaust:

1. Slide the hanger rods into the rubber isolators on the vehicle and mate the **Muffer Assembly** inlet pipe to the end of the exhaust pipe. **Refer to Figure 2.**

2. Ensure the lower mount is behind the heat shield and over the round boss on the vehicle body and secure it with the stock spring. **Refer to Figure 3.**

3. Secure the **Muffer Assembly** by attaching the previously removed spring at the top location, using the mounting hole in the support bracket. **Refer to Figure 4.**

4. Secure the inlet using the previously removed stock nuts. **Refer to Figure 5.**

5. Install the stock spark arrestor into the **Muffer Assembly** outlet using the stock hardware.

6. Re-install the muffer cover and brackets if desired. **Refer to Figure 5.**



Congratulations! You are ready to begin experiencing the improved performance and driving excitement of your MBRP Ltd. ATV Exhaust upgrade. We know you will enjoy your purchase.