

**Kelderman Mfg., Inc.**

**Kelderman  
Air Ride Conversion System  
Dodge Two Bag Front**

4 W.D.-1993  
& Before.

**Installation Instructions**

# KELDERMAN

## Installation Instructions

### Dodge Two Bag Front Air Ride

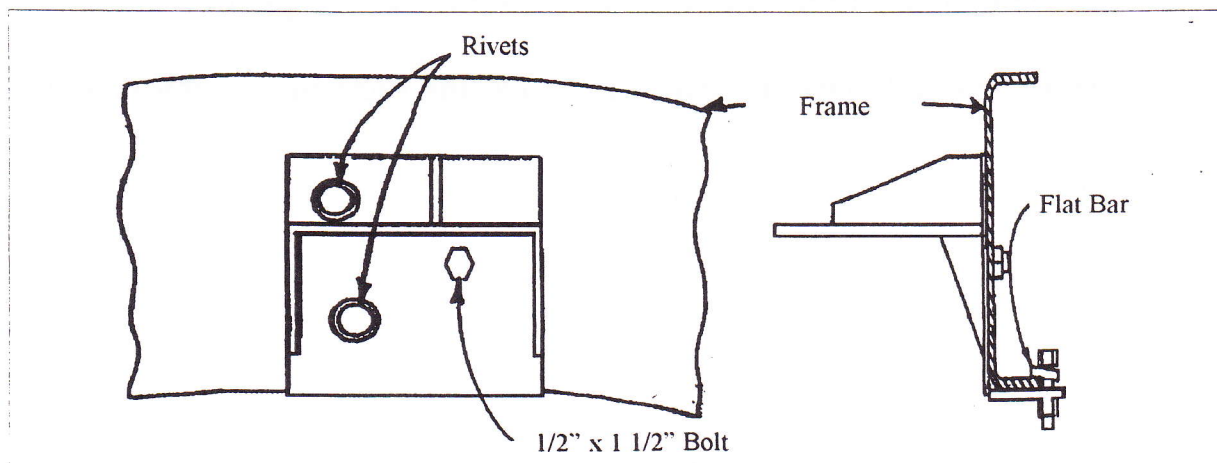
The Kelderman Front Air Ride is designed to fit between the axle and the frame of the truck.  
**It is strongly recommended to install the air Ride on one side of the truck at a time, and to use jack stands at all times.**

Raise the front axle of the truck on the right hand side and remove the tire. Remove the U-bolt nuts and the two axle studs holding the axle to the leaf springs, and remove the top U-bolt plate. Place a jack stand under the frame of the truck and lower the axle enough to allow the spring tie bolt to be removed. Remove the bottom three leafs and turn them upside down and reassemble the leaf spring assembly and reinstall the tie bolt. Install the U-bolt around the axle and through the supplied riser for the bottom of the air bag, then tighten the U-bolt and stud nuts.

Set the left hand air bag tower against the frame above the axle. The large holes in the tower would be towards the front of the truck and will go over the rivets in the truck frame. With the tower held over the rivets the bolt hole in the tower will line up with a hole in the frame. Install the 1/2" x 1 1/2" bolt through the hole with the flat washer, lock washer, and nut on the inside of the frame.

**Note: The 1/2" x 1 1/2" bolt must be installed with the head of the bolt towards the air bag or air bag damage will result!**

The bottom of the tower clamps onto the bottom lip of the truck frame using the supplied 1 1/4" x 5" flat bar and the two 1/2" x 1 1/2" bolts, flat washer, lock washer, and nut.



The air tank should be installed on the bottom of the crossmember below the radiator, using the two clamps provided. Normally the two existing holes in the crossmember can be used and two holes will need to be drilled directly across from the existing holes.

**Caution: While drilling the holes be careful not to drill into the radiator.**

Mount the tank with the valve stems towards the front of the truck, and install the 3/4" air line from the right side of the air tank to the right air bag and the left side of the air tank to the left hand air bag using the supplied 3/4" rubber hose.

**Tighten all fittings, fasteners, and clamps installed to this point.**

Air up the system until the distance between the leaf springs and the rubber stop on the frame is approximately 2 1/2" (usually 20 to 30 psi), this pressure should give you the best ride.

**Using soapy water or leak detector check all air fittings for leaks.**

---

If you have any questions about the installation call the factory at 1-800-334-6150 Monday thru Friday 7:00 A.M.—3:30 P.M. CST.