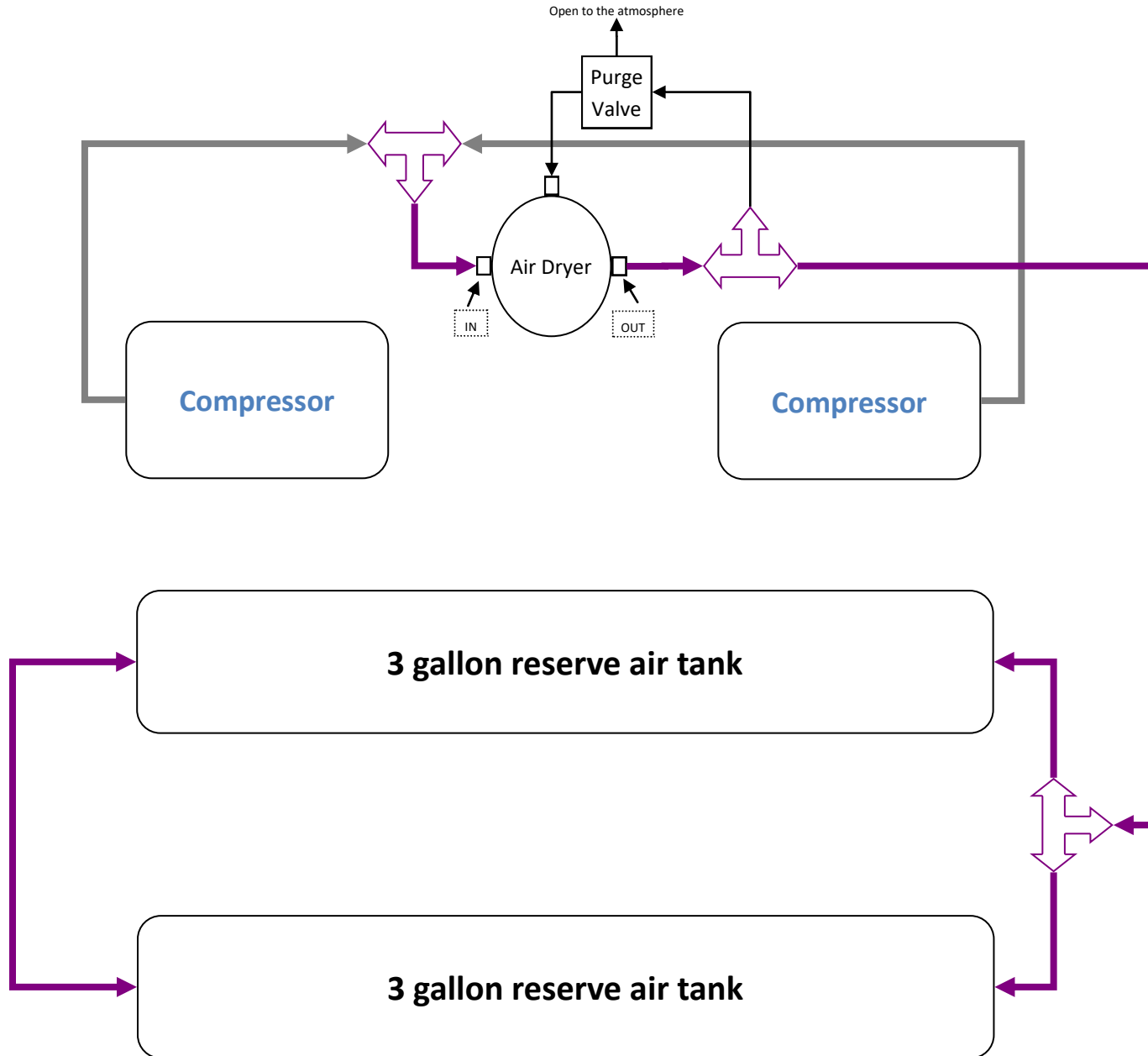
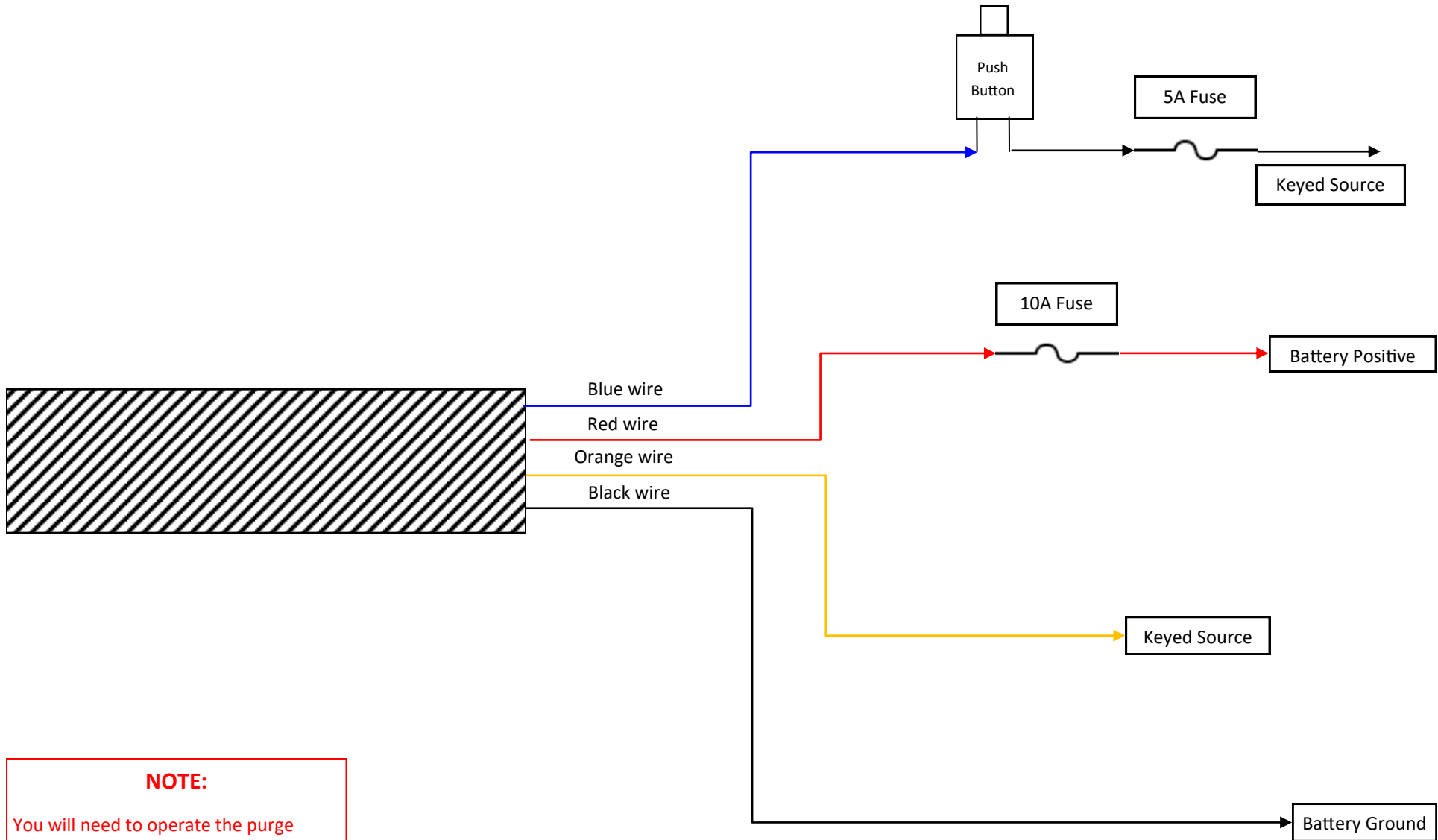


Air Lift 3H (Kelderman) Dryer Plumbing



Air Lift 3H (Kelderman) Dryer Wiring



NOTE:

You will need to operate the purge valve by depressing the momentary switch for 1 second intervals 3-4 times daily to reduce moisture in the system.