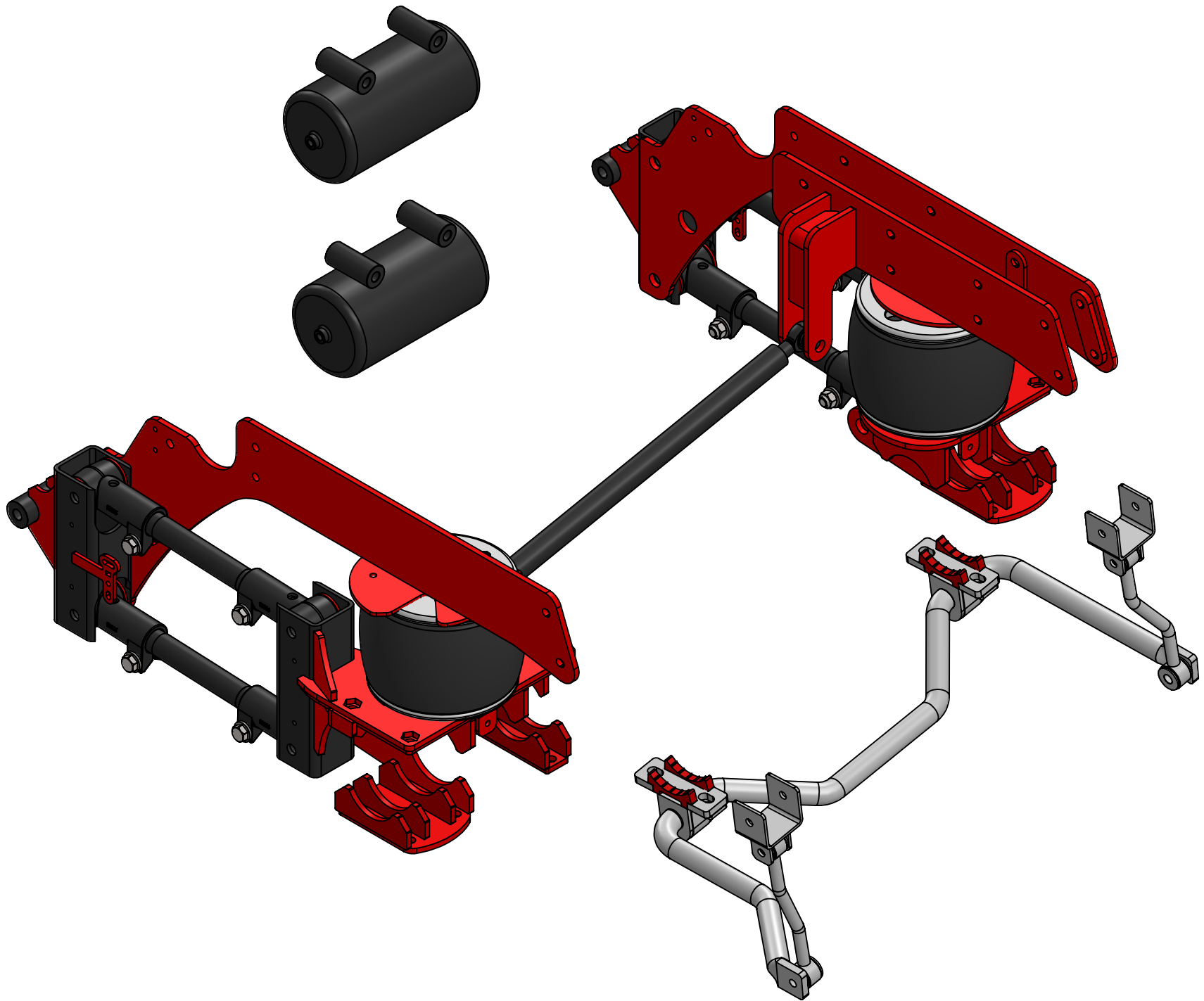
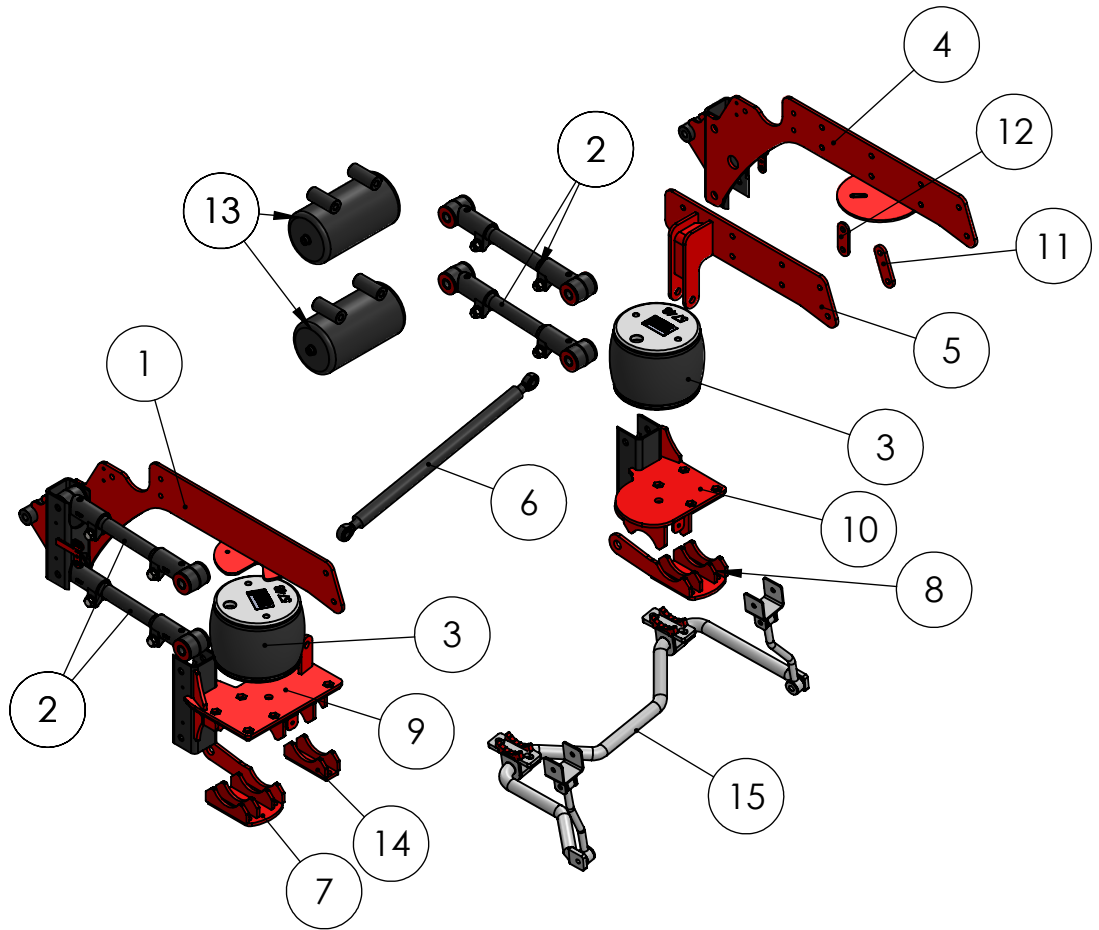


# 2011 Chevy 2500/3500 Stock Height (Rear)



ITEM NO.	PART NUMBER	DESCRIPTION	QTY.
1	30202	(DS) Upper Frame Mount	1
2	30205	TRAILING ARM - 18"	4
3	5748	5748 Firestone Air Bag	2
4	30213	(PS) Frame/Bag Mount	1
5	30210	(PHB) (PS) Inner Frame Mount	1
6	30221	Pan Hard Bar 25"	1
7	29199	Lower Axle Clamp (DS)	1
8	29197	Lower Axle Clamp (PS)	1
9	20760	(DS) Lower Bag Mount	1
10	20765	(PS) Lower Bag Mount	1
11	20770	3/8" Mounting Plate Shim	1
12	20771	1/4" Mounting Plate Shim	1
13	20997	Accumulator Tank	2
14	18000	(DS) Lower 4" Axle Clamp	1
15	1109-169KLD	Sway Bar	1



UNLESS OTHERWISE SPECIFIED: DIMENSIONS ARE IN INCHES TOLERANCES: FRACTIONAL $\pm 1/32"$ ANGULAR: MACH $\pm 1$ BEND $\pm 1$ TWO PLACE DECIMAL $\pm .030$ THREE PLACE DECIMAL $\pm .010$	Design By:	Zach Beltz 2014	Project:	
	Shelf # / Qty		2011 Chevy 2500/3500 Stock Height (Rear)	
	Inventory		Description:	
	Run Qty:		Kit	
MATERIAL	PROPRIETARY AND CONFIDENTIAL THE INFORMATION CONTAINED IN THIS DRAWING IS THE SOLE PROPERTY OF KELDERMAN MFG. INC. ANY REPRODUCTION IN PART OR AS A WHOLE WITHOUT THE WRITTEN PERMISSION OF KELDERMAN MFG. INC. IS PROHIBITED.		SIZE	DWG. NO.
FINISH			<b>A</b>	<b>30218</b>
WEIGHT	498.18		SCALE: 1:50	DO NOT SCALE DRAWING
			SHEET 2 OF 2	