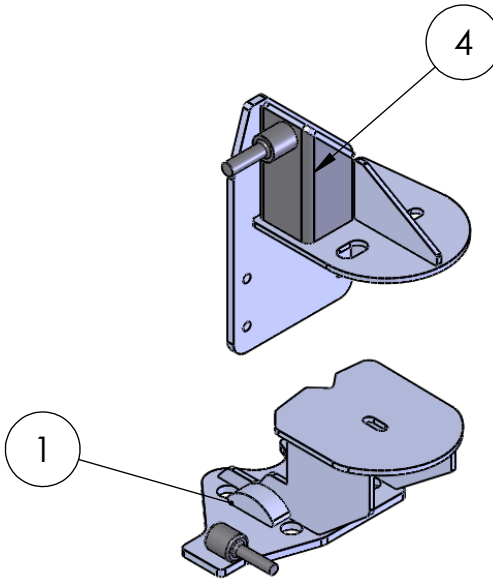
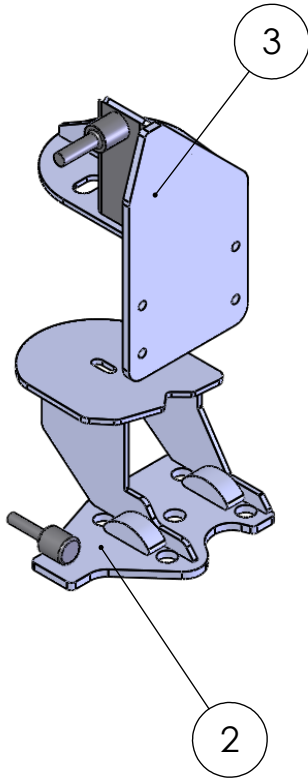


ITEM NO.	PART NUMBER	DESCRIPTION	Default(PM)/QTY.
1	70001	MOUNT - FRONT BAG (PS 1.5)	1
2	70000	MOUNT - FRONT BAG (DS 1.5)	1
3	11623	MOUNT - FORD FRONT 0" (PS)	1
4	11624	MOUNT - FORD FRONT 0" (DS)	1



UNLESS OTHERWISE SPECIFIED: DIMENSIONS ARE IN INCHES TOLERANCES: FRACTIONAL $\pm 1/32"$ ANGULAR: MACH $\pm 1$ BEND $\pm 1$ TWO PLACE DECIMAL $\pm .030$ THREE PLACE DECIMAL $\pm .010$	<b>Design By:</b>	Zach Beltz 2014	<b>Project:</b> 99-04 F250/350 1.5" 2Bag Front	
	<b>Shelf # / Qty</b>			
	<b>Inventory</b>		<b>Description:</b> Kit - Ford 250/350 1 1/2" Lift	
	<b>Run Qty:</b>			
<b>MATERIAL</b>	PROPRIETARY AND CONFIDENTIAL THE INFORMATION CONTAINED IN THIS DRAWING IS THE SOLE PROPERTY OF KELDERMAN MFG. INC. ANY REPRODUCTION IN PART OR AS A WHOLE WITHOUT THE WRITTEN PERMISSION OF KELDERMAN MFG. INC. IS PROHIBITED.		<b>SIZE</b>	<b>DWG. NO.</b>
<b>FINISH</b>			<b>A</b>	<b>15755</b>
<b>WEIGHT</b> 60.32			<b>SCALE: 1:12</b>	DO NOT SCALE DRAWING