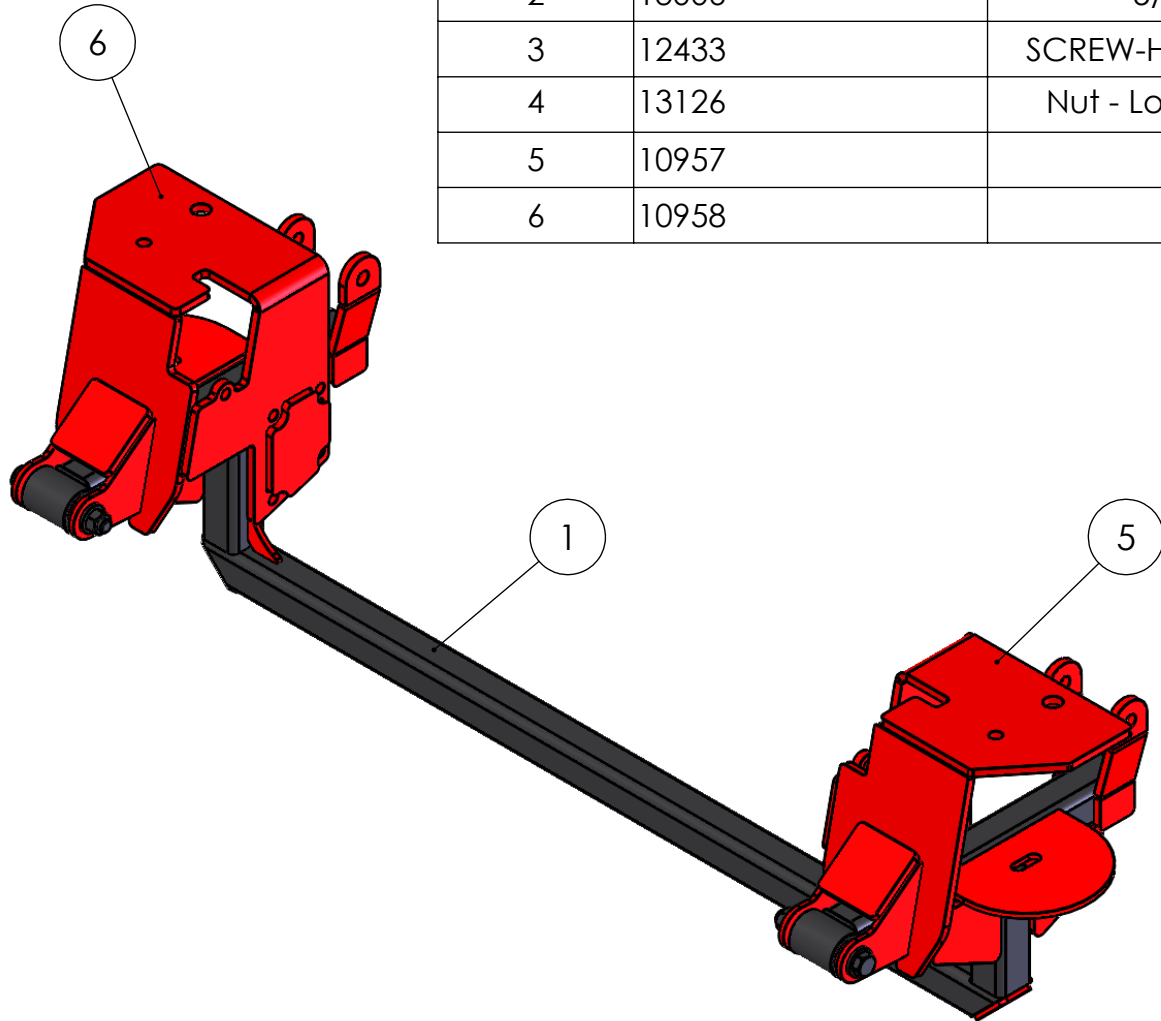


ITEM NO.	PART NUMBER	DESCRIPTION	Default(PM)/QTY.
1	10944	Swing Arm	1
2	13006	5/8" FLAT WASHER	4
3	12433	SCREW-HCS-.63-18X4.75-GR8-YZ	2
4	13126	Nut - Locking - 5/8" - 18 - GR8	2
5	10957	FRAME - PS	1
6	10958	FRAME - DS	1



UNLESS OTHERWISE SPECIFIED: DIMENSIONS ARE IN INCHES TOLERANCES: FRACTIONAL ± 1/32" ANGULAR: MACH ± 1 BEND ± 1 TWO PLACE DECIMAL ±.030 THREE PLACE DECIMAL ±.010	Design By:	Zach Beltz 2014	Project:	
	Shelf # / Qty		Excursion - 2-Bag Rear	
	Inventory		Description:	
	Run Qty:		Kit	
MATERIAL	PROPRIETARY AND CONFIDENTIAL THE INFORMATION CONTAINED IN THIS DRAWING IS THE SOLE PROPERTY OF KELDERMAN MFG. INC. ANY REPRODUCTION IN PART OR AS A WHOLE WITHOUT THE WRITTEN PERMISSION OF KELDERMAN MFG. INC. IS PROHIBITED.		SIZE	DWG. NO.
FINISH			A	10941
WEIGHT			SCALE: 1:16	
108.92			SHEET 1 OF 3	

