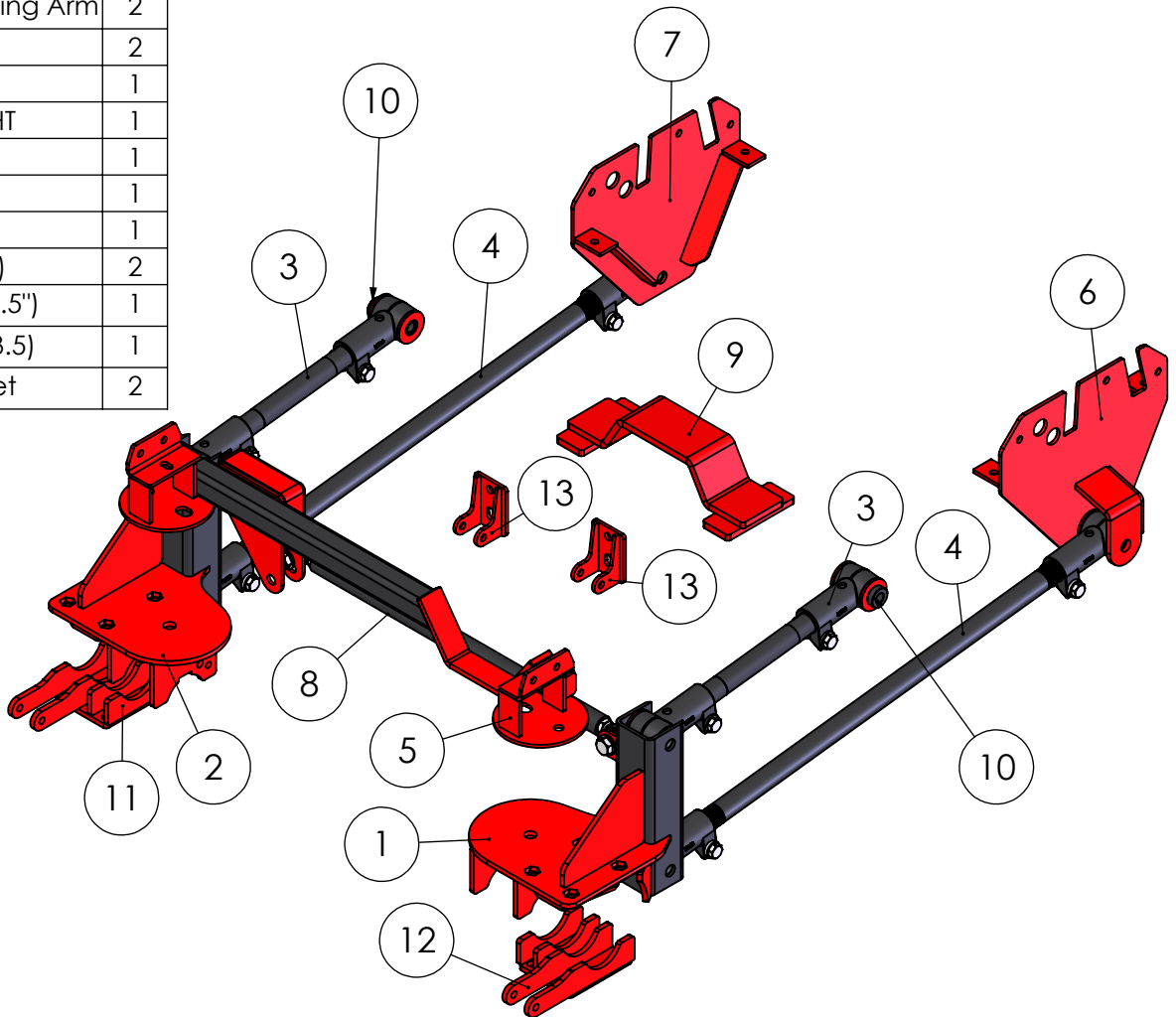


ITEM NO.	PART NUMBER	DESCRIPTION	QTY.
1	14629	(PS) Lower Bag Mount / (PHB) Mount	1
2	14630	(DS) Lower Bag Mount (3.5" Axle)	1
3	10016	Upper Control Arm Stock (22") / Trailing Arm	2
4	10515	TRAILING ARM - 39.00	2
5	11684	CROSSMEMBER - REAR	1
6	10859	MOUNT - PERCH MOUNT RIGHT	1
7	10860	MOUNT - PERCH LEFT	1
8	11806	PAN HARD REAR - 27.50"	1
9	10882	FRAME -	1
10	10211	TUBE - SHAFT SPACER (18mm)	2
11	10621	Axle Clamp w/ Shock Mount (3.5")	1
12	10619	Axle Clamp w/ Shock Mount (3.5)	1
13	19042	(FOX) Shock Mounting Bracket	2



UNLESS OTHERWISE SPECIFIED: DIMENSIONS ARE IN INCHES TOLERANCES: FRACTIONAL: 1/32" ANGULAR: MACH ± 1 BEND ± 1 TWO PLACE DECIMAL ±.030 THREE PLACE DECIMAL ±.010 MATERIAL FINISH WEIGHT 255.1229	Design By: Zach Beltz 2014	Project: Ford Excursion 4x4 5-6" Lift (Rear)
	Shelf # / Qty	Description: 4-Link Rear
	Inventory	SIZE DWG. NO. A 10857
	Run Qty:	SCALE: 1:20 DO NOT SCALE DRAWING SHEET 1 OF 2
PROPRIETARY AND CONFIDENTIAL THE INFORMATION CONTAINED IN THIS DRAWING IS THE SOLE PROPERTY OF KELDERMAN MFG. INC. ANY REPRODUCTION IN PART OR AS A WHOLE WITHOUT THE WRITTEN PERMISSION OF KELDERMAN MFG. INC. IS PROHIBITED.		

