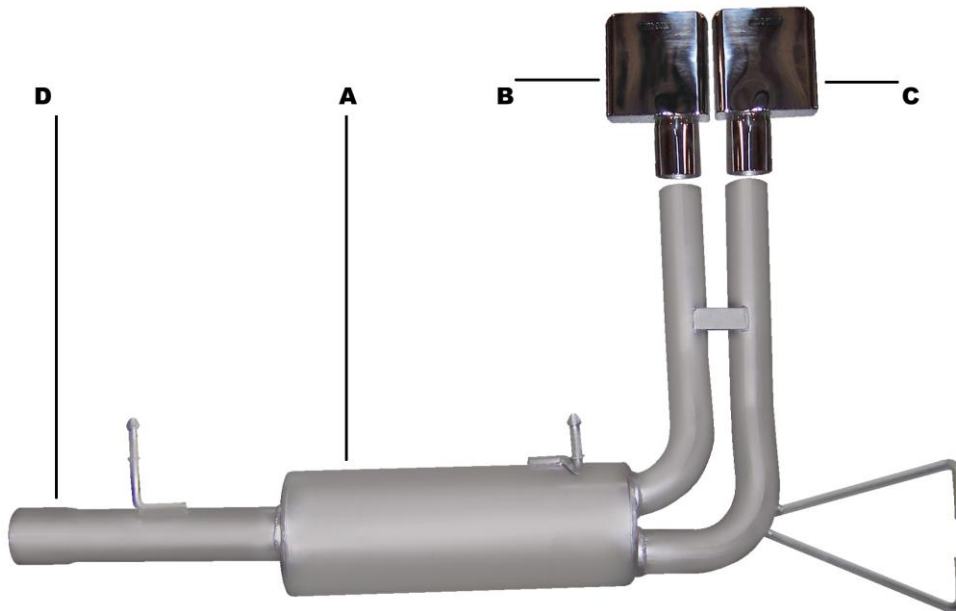




INSTRUCTION MANUAL

**SUPER TRUCK STAINLESS EXHAUST
FORD F250 SUPER DUTY TRUCK
5.4L- 6.8L, V10 2/4WD
CREW CAB, SHORT BED
PART# 69517**



ITEM	PART #	QUANTITY	DESCRIPTION
A	856-700462S	1	STAINLESS MUFFLER ASSEMBLY
B	500365	1	RIGHT SIDE STAINLESS TIP
C	500366	1	LEFT SIDE STAINLESS TIP
D	OHD300	1	3" CLAMP

Thank you for purchasing our GIBSON EXHAUST SYSTEM for your vehicle. If you need further assistance, please do not hesitate to call our Technical Department at 1-800-528-3044, Monday through Friday, 8:00 am to 5:00 PM

EXHAUST INSTALLATION #69517

When installing this exhaust system make sure to use proper safety precautions. Use jack stands when under the truck, set parking brake, block tires and use safety glasses and gloves.

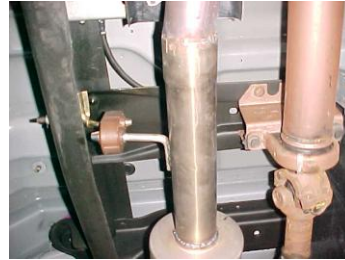
DO NOT WORK WITH HOT PIPES!

SUGGESTED TOOLS:

1/2", 9/16", 15mm wrench and socket, WD-40, Hacksaw, Jack Stand



Lay out the exhaust on the floor so it looks like the drawing and compare parts with manual. To remove the stock exhaust using WD-40 take all hangers out of grommets.



Install welded headpipe hanger into rubber grommet.



Then unclamp the second clamp before the muffler. Then cut tailpipe off just behind the muffler for easier removal.



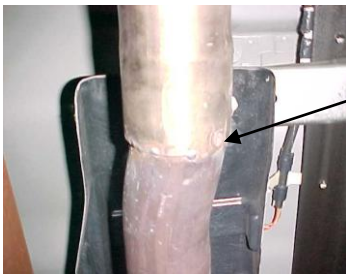
Install welded muffler hanger into rubber grommets.



Install muffler assembly #A onto stock headpipe.



Next install both tailpipe hangers into rubber grommets. Then adjust it to your liking.



Line up the notch to the stock front pipe. Use jackstand to support muffler. Secure it with clamp #D. Do not tighten.



Install the stainless tips. Clamp down. To clean your stainless tips use any stainless cleaner or a Scotch Brite pad. Now go back and tighten all clamps, nuts and bolts. Start from the front and work back.

MAKE SURE YOU HAVE A 1" CLEARANCE ON ALL RUBBER BRAKE LINES, SHOCK BOOTS, TIRE, FUEL LINES, ETC.