

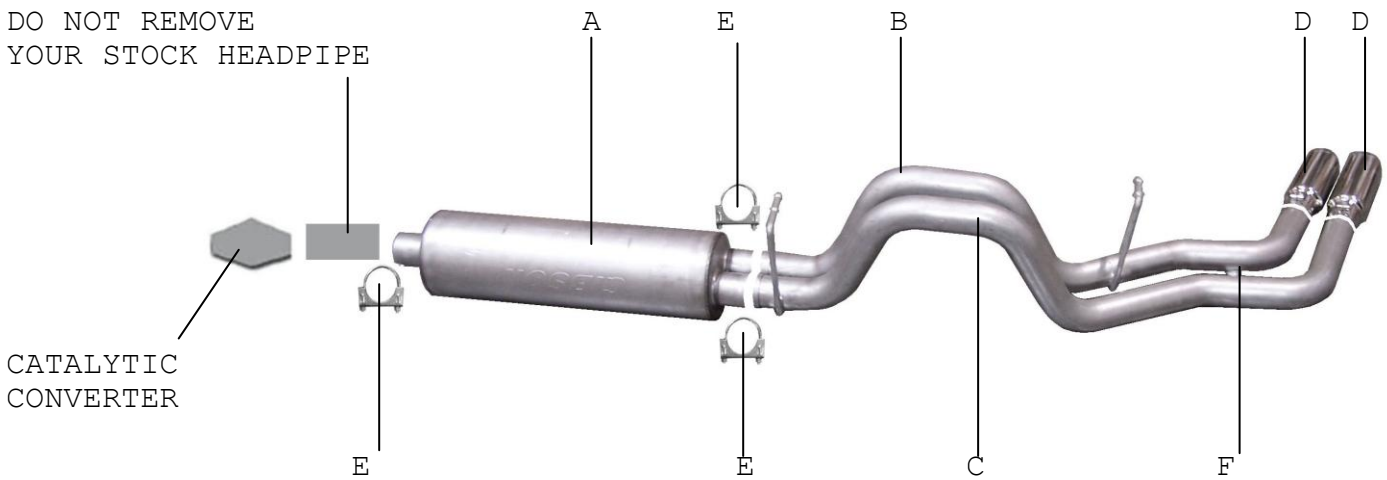


# INSTRUCTION MANUAL

## CAT-BACK STAINLESS DUAL SPORT EXHAUST

DODGE DAKOTA TRUCK, 4.7L 2/4WD  
CLUB CAB, SHORT BED  
QUAD CAB, SHORT BED  
**PART# 66534**

DO NOT REMOVE  
YOUR STOCK HEADPIPE



ITEM	PART #	QUANTITY	DESCRIPTION
A	789800S-1	1	SUPERFLOW STAINLESS MUFFLER
B	842-700593S	1	2.5" PASSENGER STAINLESS TAILPIPE
C	843-700594S	1	2.5" DRIVERSIDE STAINLESS TAILPIPE
D	500374	2	3 1/2" STAINLESS TIP
E	5757	3	2-1/2" CLAMP
F	BO-906	1	BOLT KIT FOR TAILPIPE

Thank you for purchasing our GIBSON EXHAUST SYSTEM for your vehicle. If you need further assistance, please do not hesitate to call our Technical Department at (800) 528-3044 Monday through Friday 8:00am to 5:00PM.

# EXHAUST INSTALLATION #66534

When installing this exhaust system make sure to use proper safety precautions. Use jack stands when under the truck, set parking brake, block tires and use safety glasses and gloves.

**DO NOT WORK WITH HOT PIPES!**

## SUGGESTED TOOLS:

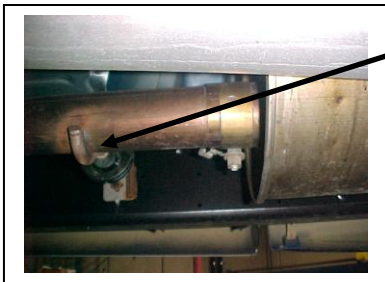
1/2", 9/16", 15mm wrench and socket, WD-40, Hacksaw, Jack Stand

**Lay out the exhaust on the floor so it looks like the drawing and compare parts with manual.**

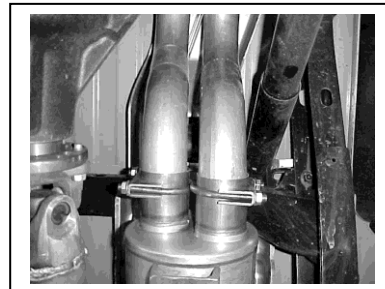
**DO NOT REMOVE STOCK PIPE BETWEEN THE MUFFLER AND CONVERTER.**



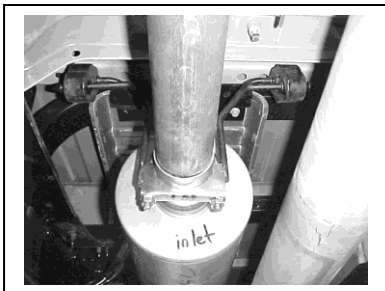
Install the driver side over axle tailpipe # C into the muffler. 1-1/2 TO 2" . iInsert welded hanger into rubber grommet. Use clamp #e to secure tailpipe to muffler. Do not tighten.



To remove the stock exhaust un-clamp it just in front of the muffler. You may need to heat it up for easier removal. Leave all rubber grommets in place. Use WD-40 to aid in removal of exhaust and the hangers.



Install passenger side over axle tailpipe # B into muffler 1-1/2" – 2" and attach using clamp # E . Use bolt kit # F to attach the tailpipes together. The driverside tailpie bracket should be on the bottom of passenger tailpipe bracket. Do not tighten.



Install muffler onto head pipe # A 1-1/2" to 2" with the louvers facing towards the converter. Use a jack stand to support the muffler. Use clamp to secure the muffler to the head pipe. Do not tighten. Muffler inlet is looking into the louvers.



Install the stainless tips. Clamp down. To clean your stainless tips use any stainless cleaner or a Scotch Brite pad. Now go back and tighten all clamps, nuts and bolts. Start from the front and work back.

**MAKE SURE YOU HAVE A 1" CLEARANCE ON ALL RUBBER BRAKE LINES, SHOCK BOOTS, TIRE, FUEL LINES, ETC.**