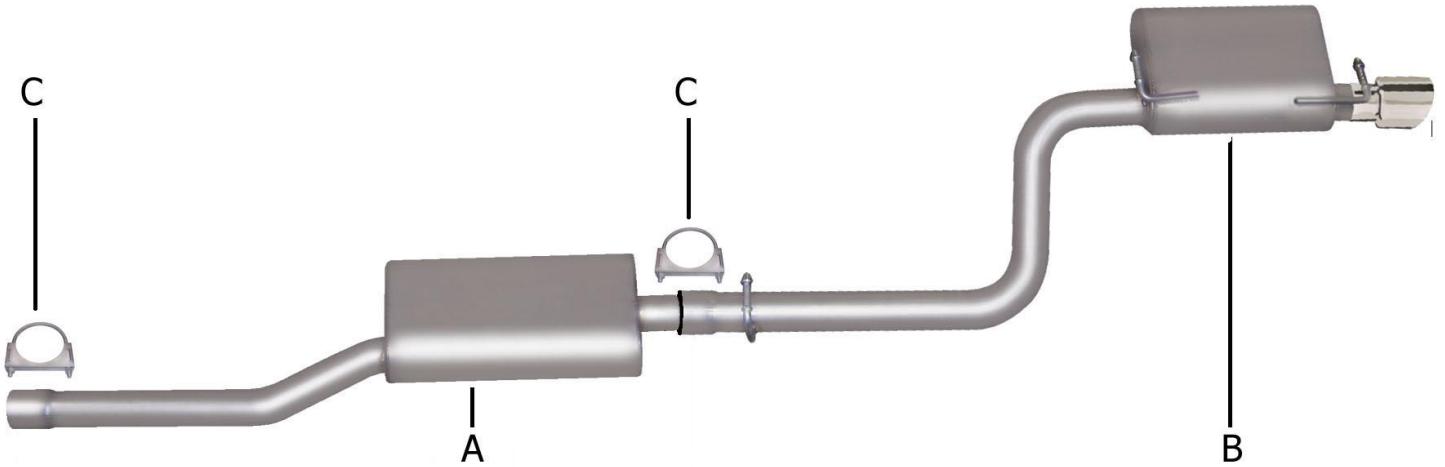




PERFORMANCE EXHAUST SYSTEMS

**INSTALLATION INSTRUCTIONS
CAT BACK SINGLE EXHAUST
CHARGER 3.5L V6 2WD
MAGNUM 2.7L-3.7L V6 2WD
PART # 317001**



ITEM	PART #	QUANTITY	DESCRIPTION
A	700803	1	HEADPIPE ASSEMBLY W/WELDED MUFFLER
B	700768	1	TAILPIPE ASSEMBLY W/WELDED MUFFLER, 4" SS TIP
C	5757	2	2.5" CLAMP

Thank you for purchasing our Gibson exhaust system for your vehicle. If you need further assistance, please do not hesitate to call our technical dept at (800) 528-3044 Monday through Friday, 8:00 am to 5:00 pm.

INSTALLATION INSTRUCTIONS #317001

CAREFULLY READ INSTRUCTIONS BEFORE STARTING INSTALLATION.

When installing this exhaust system make sure to use proper safety precautions. Use jack stands when working under the vehicle, set parking brake, block tires and use safety glasses and gloves. Allow exhaust to cool before attempting installation. Severe injury or burns could occur if safety measures are not taken.

SUGGESTED TOOLS: 1/2", 9/16" 15mm wrenches & sockets, WD-40, hacksaw, jack stands.

.....
• **Disconnect the negative battery cable before removal of OEM exhaust. This will allow the computer to reset and recognize the new exhaust. Lay out the exhaust on the floor so it looks like the drawing and compare parts with manual.**
.....



1. To remove the stock exhaust, First remove the crossmember. Measure 3" back from weld on the Y-pipe and cut. Remove all hangers from rubber grommets. Use WD-40 to aid in the removal of the hangers. Then carefully remove the stock exhaust.



2. Install headpipe assembly #A onto stock Y-pipe. Secure pipe with clamp #C. **DO NOT TIGHTEN.** Use jackstand to support muffler.



3. Next, install tailpipe assembly #B onto headpipe assembly, secure with clamp #C. **DO NOT TIGHTEN.**



4. Insert all welded hangers into all rubber grommets.

5. Adjust assembly to fit to your liking. When you have everything in place, firmly tighten all bolts and clamps down securely. Use stainless steel cleaner and a Scotch Brite pad weekly to prevent tip from discoloration.