



INSTALLATION INSTRUCTIONS

FTS22292		FORD RAPTOR ALUMINUM UCA KIT
1	FT30833	ALUMINUM UPPER CONTROL ARM (DRIVER)
1	FT30834	ALUMINUM UPPER CONTROL ARM (PASS)
1	FT30905	HARDWARE SUBASSEMBLY

FT30905		HARDWARE SUBASSEMBLY
1	FT22292i	INSTRUCTIONS
2	FT30830	MISALIGNMENT (UPPER)
2	FT30832	BEARING CAP
2	FT90163	BEARING CAP O-RING
1	FT30836	HARDWARE KIT
2	FT30831	MISALIGNMENT (LOWER)
8	FT600	SPACER
2	FT94525	UNIBALL ADAPTER PIN

FT30836 - HARDWARE KIT	
2	1/4" SAE FLAT WASHER
2	1/4-28 X 1/2" BUTTON HEAD SCREW
8	5/16-18 X 1" 12PT BOLT ZINC
2	1/2-20 X 1" 12PT BOLT
2	9/16" SAE FLAT WASHER
2	9/16-18 C-LOCK NUT
1	THREAD LOCKING COMPOUND

2017-2020 FORD F-150 RAPTOR 4WD 0-4" ALUMINUM UPPER CONTROL ARM KIT

FTS22292

NOTE: TO ORDER WEARABLE REPLACEMENT COMPONENTS DO NOT USE PART NUMBERS SHOWN ON THIS INSTRUCTION SHEET. GO TO FABTECH WEBSITE AND LOOK UP WEARABLE REPLACEMENT PARTS TO FIND THE PROPER PART NUMBER TO ORDER.

Fabtech Motorsports | 4331 Eucalyptus Ave. Chino, CA 91710

Tech Line: 909-597-7800 | Fax: 909-597-7185 | Web: www.fabtechmotorsports.com

- TOOL LIST -

Required Tools (Not Included)

Basic Hand Tools
Floor Jack
Jack Stands
Assorted Metric and S.A.E sockets, and Allen wrenches
Torque Wrench

- PRE-INSTALLATION NOTES -

For technical assistance call: **909-597-7800** or e-mail: **info@fabtechmotorsports.com**

READ THIS BEFORE YOU BEGIN INSTALLATION -

Check all parts to the parts list above before beginning installation. If any parts are missing contact Fabtech at 909-597-7800 and a replacement part will be sent to you immediately.

Read all instructions thoroughly from start to finish before beginning the installation. If these instructions are not properly followed severe frame, driveline and / or suspension damage may occur.

Check your local city and state laws prior to the installation of this system for legality. Do not install if not legal in your area.

Prior to the installation of this suspension system perform a front end alignment and record. Do not install this system if the vehicle alignment is not within factory specifications. Check for frame and suspension damage prior to installation.

The installation of this suspension system should be performed by two professional mechanics.

This suspension must be installed with Fabtech shock absorbers.

Installation of all fasteners requires the use of provided thread locking compound with proper torque values as indicated throughout the installation. Apply thread locking compound upon the final torque of the fastener.

WARNING- Installation of this system will alter the center of gravity of the vehicle and may increase roll over as compared to stock.

Vehicles that receive oversized tires should check ball joints, uniballs, tie rods ends, pitman arm and idler arm every 2500-5000 miles for wear and replace as needed.

Verify differential fluid is at manufactures recommended level prior to kit installation. Installation of the kit will reposition the differential and the fill plug hole may be in a different position. (For example, if the manufacture recommends 3 quarts of fluid, make sure the diff has 3 quarts of fluid). Check your specific manual for correct amount of fluid.

FOOTNOTES -

-

- INSTRUCTIONS -

FRONT SUSPENSION

1. Disconnect the negative terminal on the battery. Jack up the front end of the truck and support the frame rails with jack stands. **NEVER WORK UNDER AN UNSUPPORTED VEHICLE!** Remove the front tires.
2. Starting on the drivers side remove the upper ball joint nut. Disconnect the upper ball joint from the knuckle by striking the knuckle with a large hammer next to the upper ball joint on the knuckle to dislodge the ball joint. Use care not to hit the ball joint when removing. **NOTE: If equipped with electronic ride control, detach the adjusting rod from the factory control arm bracket. SEE FIGURE 1**

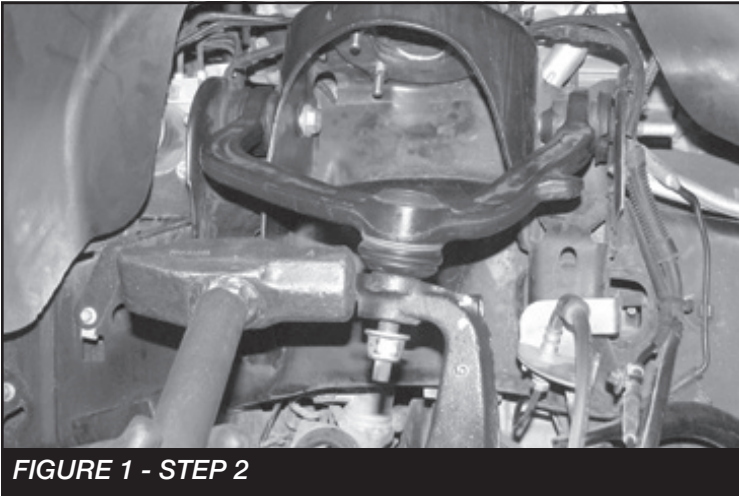


FIGURE 1 - STEP 2

3. Remove the upper control arm. Save hardware. **NOTE: If equipped with electronic ride control, remove the bracket from the factory control arm. SEE FIGURES 2-3**

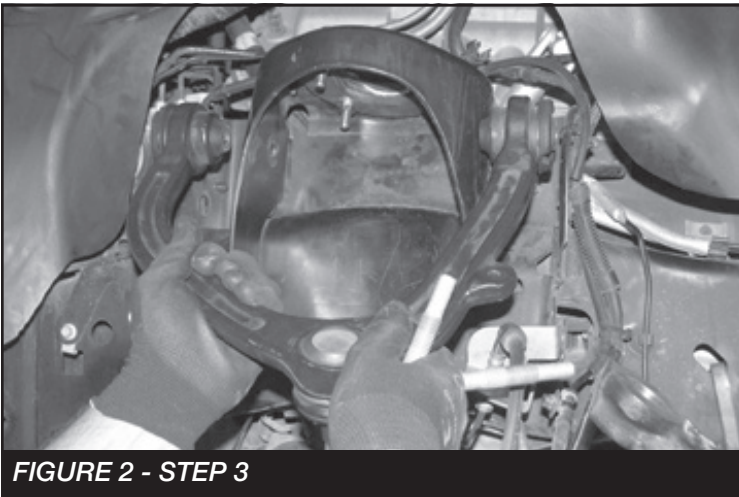


FIGURE 2 - STEP 3



FIGURE 3 - STEP 3

4. On the new Fabtech aluminum control arms. Adjust both of the rod ends so that the center of the bearing hole measures 1.875" from the end of the control arm. **NOTE: The slit on both the control arm and the adjuster sleeve need to be lined up together. SEE FIGURES 4-5**

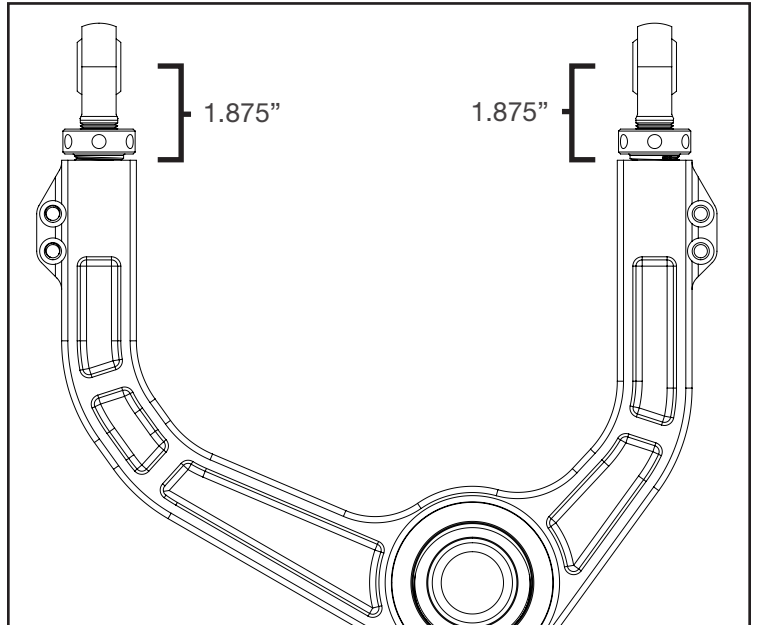


FIGURE 4 - STEP 4

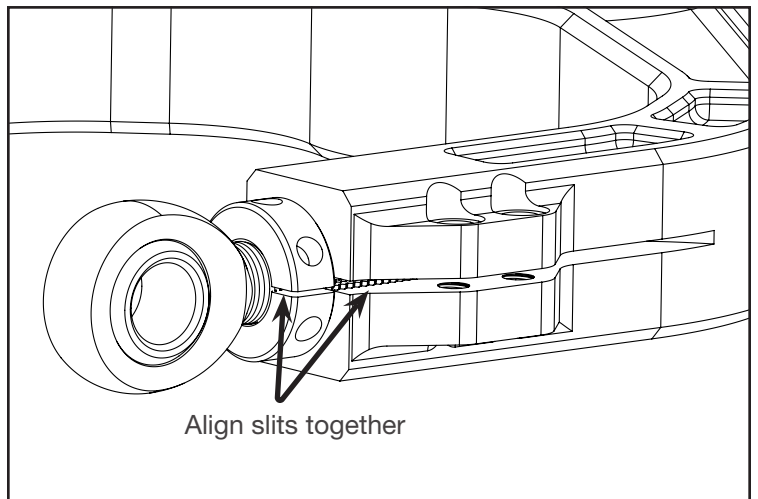


FIGURE 5 - STEP 4

5. Install the supplied 5/16 x 1"-12 point bolts to lock the rod ends and adjuster sleeve in place. Torque to 25 ft-lbs. **SEE FIGURE 6**

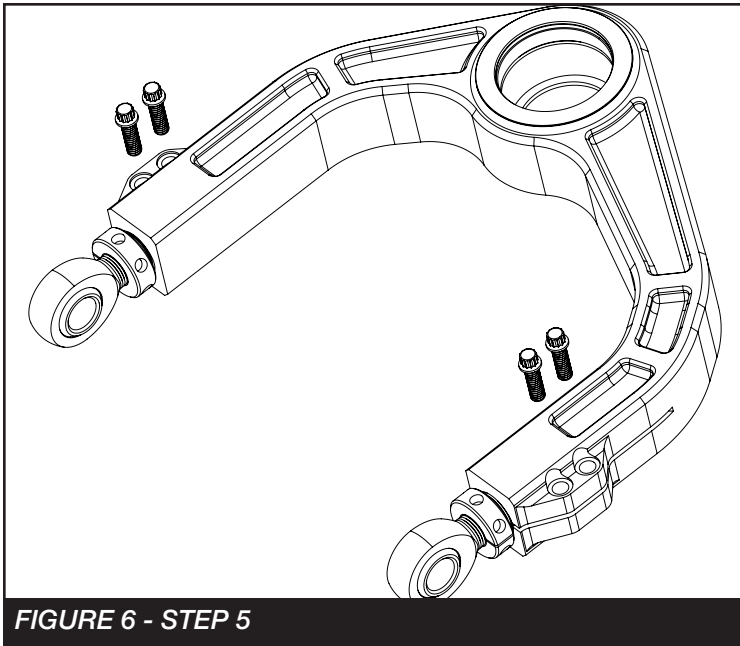


FIGURE 6 - STEP 5

6. **NOTE: If equipped with electronic ride control:** Install the factory bracket removed during step 3 onto the bottom side of the new Fabtech aluminum control arm using the supplied 1/4" buttonhead bolt and washer. Torque to 10 ft-lbs. **SEE FIGURES 7-8**

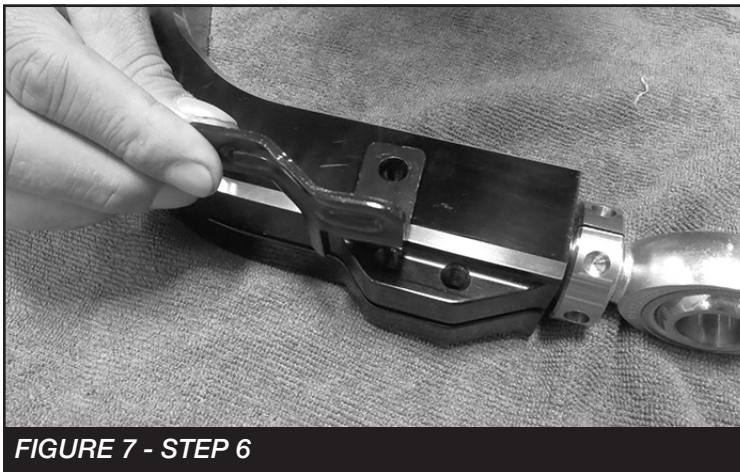


FIGURE 7 - STEP 6



FIGURE 8 - STEP 6

7. Install (4) FT600 (spacers) into the rod ends. Then, install into the factory control arm pockets using the factory hardware. Torque to a 148 ft-lbs. **SEE FIGURE 9**

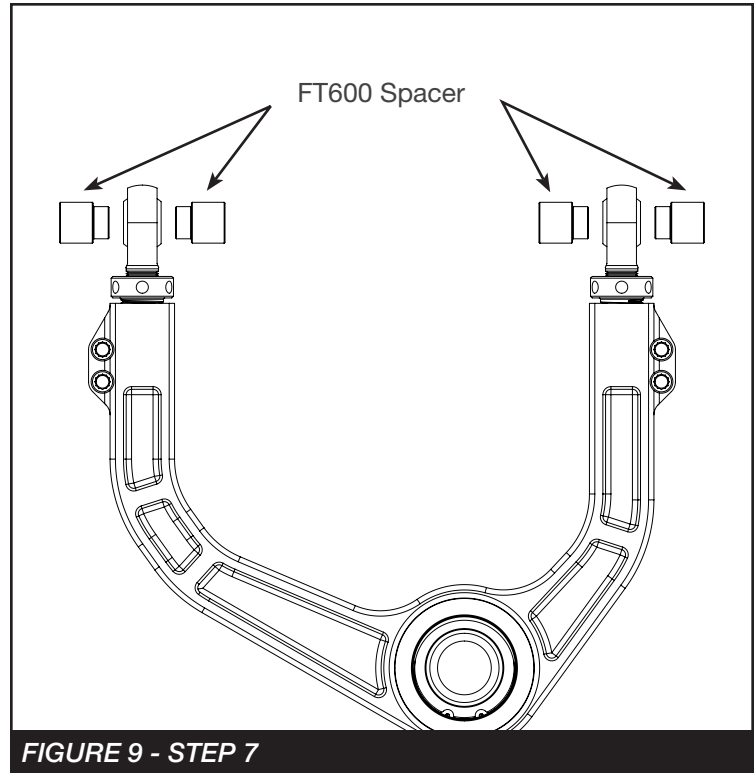


FIGURE 9 - STEP 7

8. Install FT30831 (Lower Misalignment) onto the FT94525 (uniball pin). Then, insert into the factory knuckle upper ball joint taper. Install the 9/16"-18 lock nut with thread lock compound and flat washer onto the bottom side of the pin. This will lock the pin into the knuckle. Torque to 148 ft-lbs. **SEE FIGURES 10-11**



FIGURE 10 - STEP 8

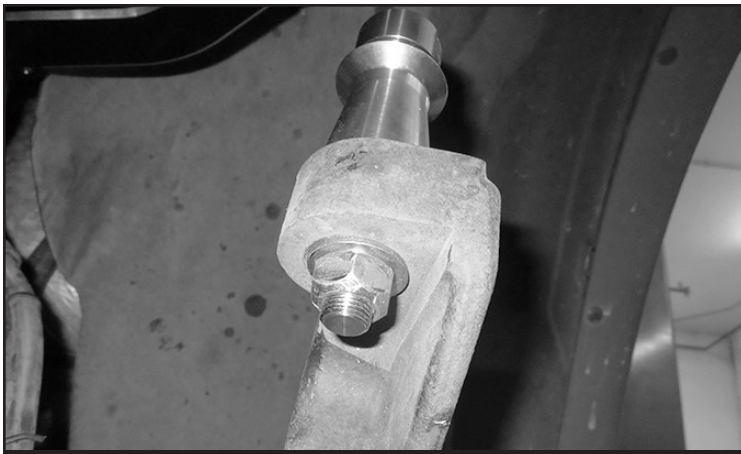


FIGURE 11 - STEP 8

9. Swing the control arm down and fully insert the misalignment into the bearing in the control arm. **SEE FIGURE 8**



FIGURE 12 - STEP 9

10. Insert the FT30830 (Upper misalignment) onto the top of the bearing assembly. Then, install the supplied 1/2" x 1" bolt. Torque to 120 ft-lbs. **SEE FIGURES 13-14**



FIGURE 13 - STEP 10



FIGURE 14 - STEP 10

11. Install the FT90163 (O-ring) into the groove on the FT30832 (Bearing Cap). Then, install onto the control arm until it is fully seated.
12. **NOTE: If equipped with electronic ride control,** connect the adjusting rod to the factory bracket installed to the new Fabtech control arm using the factory nut.
13. Repeat steps on the passenger side of the vehicle.
14. Install tires and wheels and torque lug nuts to wheel manufacturer's specifications. Turn front tires left to right and check for appropriate tire clearance. **Note - Some oversized tires may require trimming of the front bumper & valance.**
15. Recheck all bolts for proper torque.
16. Install Driver Warning Decal. Complete product registration card and mail to Fabtech in order to receive future safety and technical bulletins on this suspension.

Vehicles that will receive oversized tires should check ball joints, uniballs and all steering components every 2500-5000 miles for wear and replace as required.

RETORQUE ALL NUTS, BOLTS AND LUGS AFTER 50 MILES AND PERIODICALLY THEREAFTER.

For technical assistance call: **909-597-7800**

- Product Warranty and Warnings -

Fabtech provides a Limited Lifetime Warranty to the original retail purchaser who owns the vehicle, on which the product was originally installed, for defects in workmanship and materials.

The Limited Lifetime Warranty excludes the following Fabtech items; bushings, bump stops, ball joints, tie rod ends, limiting straps, cross shafts, heim joints and driveshafts. These parts are subject to wear and are not considered defective when worn. They are warranted for 60 days from the date of purchase for defects in workmanship.

Dirt Logic and Performance Coilover take apart shocks are considered a serviceable shock with a one year warranty on leakage only. Service seal kits are available separately for future maintenance. All other shocks are covered under our Limited Lifetime Warranty.

Fabtech does not warrant any product for finish, alterations, modifications and/or installation contrary to Fabtech's instructions. Alterations to the finish of the parts including but not limited to painting, powder coating, plating and/or welding will void all warranties. Some finish damage may occur to parts during shipping, which is considered normal and is not covered under warranty.

Fabtech products are not designed nor intended to be installed on vehicles used in race applications or for racing purposes or for similar activities. (A "RACE" is defined as any contest between two or more vehicles, or any contest of one or more vehicle against the clock, whether or not such contest is for a prize). This warranty does not include coverage for police or taxi vehicles, race vehicles, or vehicles used for government or commercial purposes. Also excluded from this warranty are sales outside of the United States of America.

Installation of most suspension products will raise the center of gravity of the vehicle and will cause the vehicle to handle differently than stock. It may increase the vehicle's susceptibility to a rollover, on road and off road, at all speeds. Extreme care should be taken to operate the vehicle safely at all times to prevent rollover or loss of control resulting in serious injury or death. Fabtech front end Desert Guards may impair the deployment or operation of vehicles equipped with supplemental restraining systems/air bag systems and should not be installed if the vehicle is equipped as so.

Fabtech makes every effort to ensure suspension product compatibility with all vehicles listed on the website, but due to unknown auto manufacturer's production changes and/or inconsistencies by the auto manufacturer, Fabtech cannot be responsible for 100% compatibility, including the fitment of tire and wheel sizes listed. The Tire and Wheel sizes listed in Fabtech's website are only a guideline for street driving with noted fender trimming. Fabtech is not responsible for damages to the vehicle's body or tires. Fabtech is not responsible for premature wear of factory components due to the installation of oversized tires and wheels.

Fabtech's obligation under this warranty is limited to the repair or replacement, at Fabtech option, of the defective product only. All costs of removal, installation or re-installation, freight charges, incidental or consequential damages are expressly excluded from this warranty. Fabtech is not responsible for damages and/or warranty of other vehicle parts related or non related to the installed Fabtech product. This warranty is expressly in lieu of all other warranties expressed or implied. This warranty shall not apply to any product that has been subject to accident, negligence, alteration, abuse or misuse as determined by Fabtech.

Fabtech suspension components must be installed as a complete system including shocks as shown on our website. All warranties will become void if Fabtech parts are combined and/or substituted with other aftermarket suspension products. Combination and/or substitution of other aftermarket suspension parts may cause premature wear and/or product failure resulting in an accident causing injury or death. Fabtech does not warrant products not manufactured by Fabtech.

Depending on the condition of the factory suspension components retained after the installation of a Fabtech suspension not all vehicles may have the same ride stance front to rear as described in the website. The blue color of suspension components shown in all Fabtech photographs are for display purposes only. Majority of all Fabtech components will be black specifically where noted with part numbers ending in BK.

Installation of Fabtech product may void the vehicles factory warranty; it is the consumer's responsibility to check with their local vehicle's dealer for warranty disposition before the installation of the product. Some state laws may prohibit modification of suspension to a vehicle in whole or in part. It is the responsibility of the installer and consumer to consult local laws prior to the installation of any Fabtech suspension product to comply with such written laws.

It is the responsibility of the distributor and/or the retailer to review all warranties and warnings of Fabtech products with the consumer prior to purchase.

Fabtech reserves the right to super cede, discontinue, change the design, finish, part number and/or application of parts when deemed necessary without written notice. Fabtech is not responsible for misprints or typographical errors within the website or price sheet. For the most recent Product Warranty and Warnings visit our website www.fabtechmotorsports.com