



86615 Universal 3rd Brake Light

Parts List:

- | | |
|-------------------------|-------------------------|
| 1 x Upper light bracket | 1 x Lower light bracket |
| 2 x Carriage bolt | 2 x Wing nut |
| 2 x Flat washer | |

Installation instructions

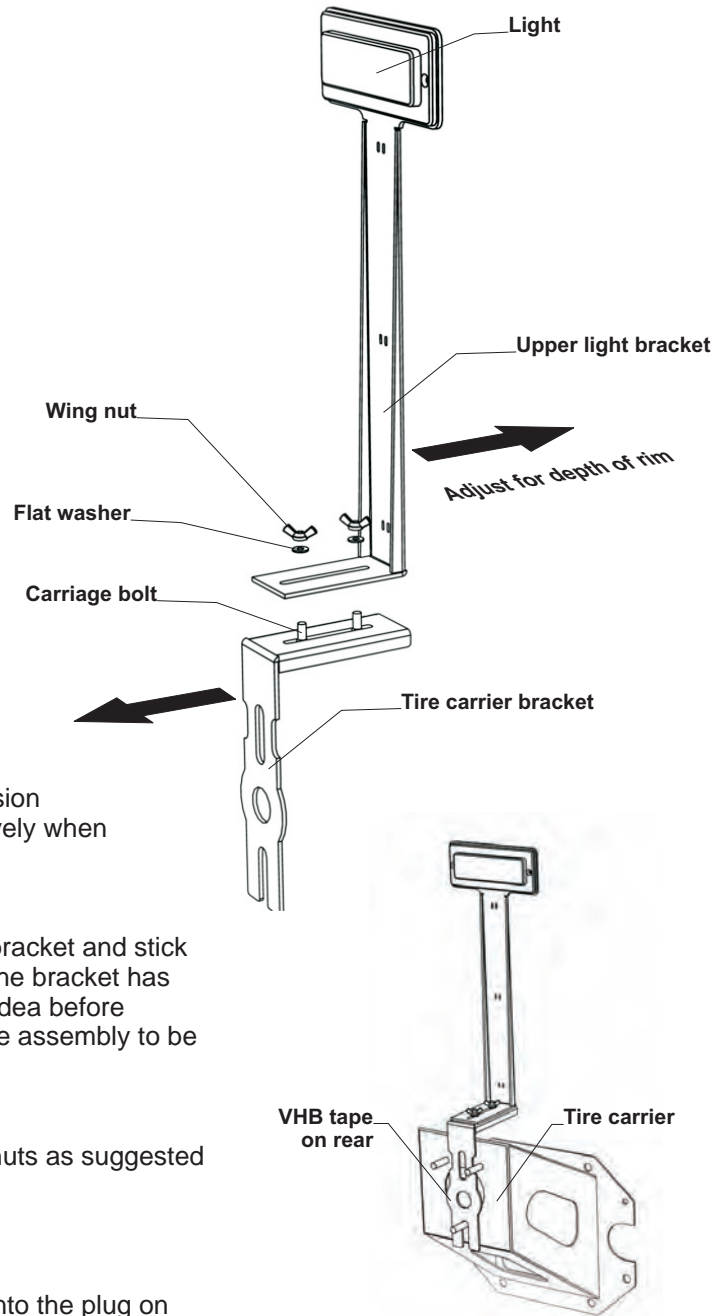
- 1) Remove spare tire from spare tire mount on vehicle.
- 2) Attach the upper light bracket to the tire carrier bracket with the two carriage bolts, flat washers and wing nuts. See the illustration for assembly.
- 3) Adjust the length of the bracket assembly by placing the lower bracket into the spare tire on the inside surface of the rim. With the wing nuts loose, slide the two parts as needed to get the upper bracket to fit snugly against the back side of the tire. This tension on the upper bracket will keep it from moving excessively when in rough terrain.
- 4) Peel the backing off of the inside surface of the lower bracket and stick it to the front surface of the spare tire rack. **NOTE:** The bracket has slots in it to allow for height adjustments. It is a good idea before sticking the bracket on, to test fit the tire in place on the assembly to be sure the light is high enough to clear the tire.
- 5) Now install the spare tire as usual and tighten the lug nuts as suggested by the manufacturer of the mount.

6) Wiring:

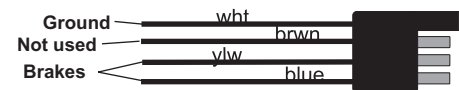
Plug the 4 prong trailer plug pre-installed on the light into the plug on the vehicle if available. If not, splice the wiring into the brake lights on the vehicle as follows:

Cut the wiring about 1 inch up from the connector. The blue and yellow should be attached together and then spliced to the brake light circuit on the vehicle. The white goes to a ground connection. The Brown is not used.

If installing on a Jeep with a factory 3rd brake light that has been removed: Simply cut the existing wire to expose the positive and ground connections then connect the blue and yellow wires to the positive, and the white wire to the ground.



Wiring Diagram



*We recommend professional installation for the wiring as necessary.