

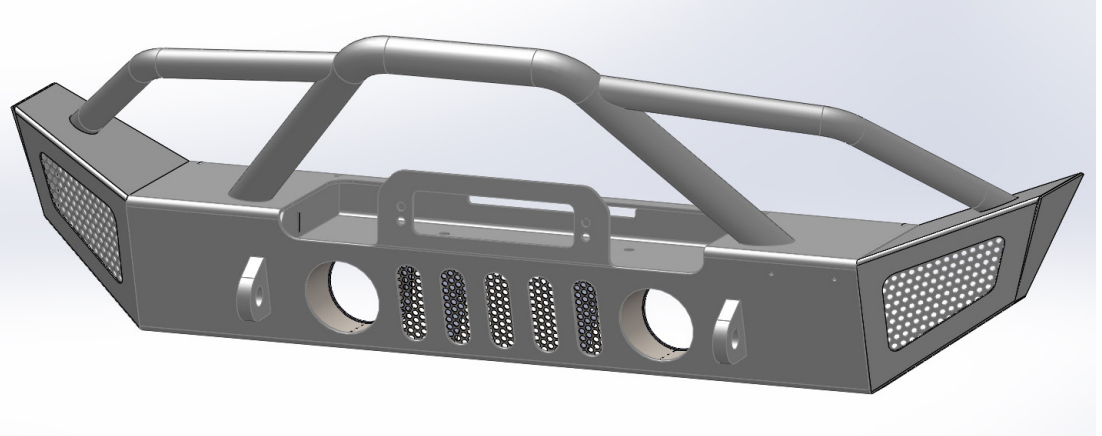


420 N. Grove, Richardson, TX 75081
 Tele: (800) 527 - 4345 Fax: (800) 442 - 5263
 Web site: www.goindustries.com
 E-mail: gosupport@goindustries.com

Stage II Front Recovery Bumper Installation Instructions

94102

Jeep Wrangler JK / Wrangler JK Unlimited
 2007 - 2018



94102 Components

Hardware Kit Contents

- 1) Stage II Front Recovery Bumper
- 1) Hardware Kit

- 8) 7/16" Flat Washers
- 8) 7/16" Nylon Locking Nuts
- 6) #8 x 3/4" Machine Screws
- 6) #8 Washers
- 6) #8 Nylon Lock Nuts

!!! WE RECOMMEND TWO PEOPLE FOR THIS INSTALLATION !!!

***READ INSTALLATION INSTRUCTIONS ENTIRELY AND ENSURE YOU HAVE ALL PARTS*
 *AND HARDWARE LISTED PRIOR TO BEGINNING THIS INSTALLATION***

1. Disconnect the factory fog light wiring from the fog lights that mount on the factory bumper.
2. Remove the plastic filler panel between the bumper and grill as well as the plastic factory skid plate. The front of the Jeep should look like **Fig. 1** at this point.
3. Remove the factory bumper with the tow hooks with the fog lights still attached to it.
4. Remove the factory fog lights from the original equipment bumper, then using **Fig. 2**, install the fog lights in the new bumper. Each light will only use three #8 screws, washers, and nylon lock nuts.
5. Use two people to lift the bumper up to the mounting brackets. Align the four holes on the end of each frame rail with the four studs on each side of the bumper. Re-install the factory support plates (**Fig. 3 and 4**), then place (1) 7/16" flat washer onto each of the (8) 7/16" studs, followed by (1) 7/16" lock nut.
6. Position and align the bumper on the truck while tightening all hardware at this time.
7. Reconnect the fog light wiring harness to the fog lights.
8. If installing a winch, you may now do so being sure to adhere to the winch manufacturer's instructions for attaching the winch, fairlead, wiring, and related parts.

Note: Re-check all hardware for proper tightness upon completion and periodically inspect hardware and parts for signs of wear throughout the life of the product.

Stage II Front Recovery Bumper

Installation Instructions

94102

Jeep Wrangler JK / Wrangler JK Unlimited
 2007 - 2018

Fig. 1 Factory Front Bumper Removed, Showing the Frame Rail Ends

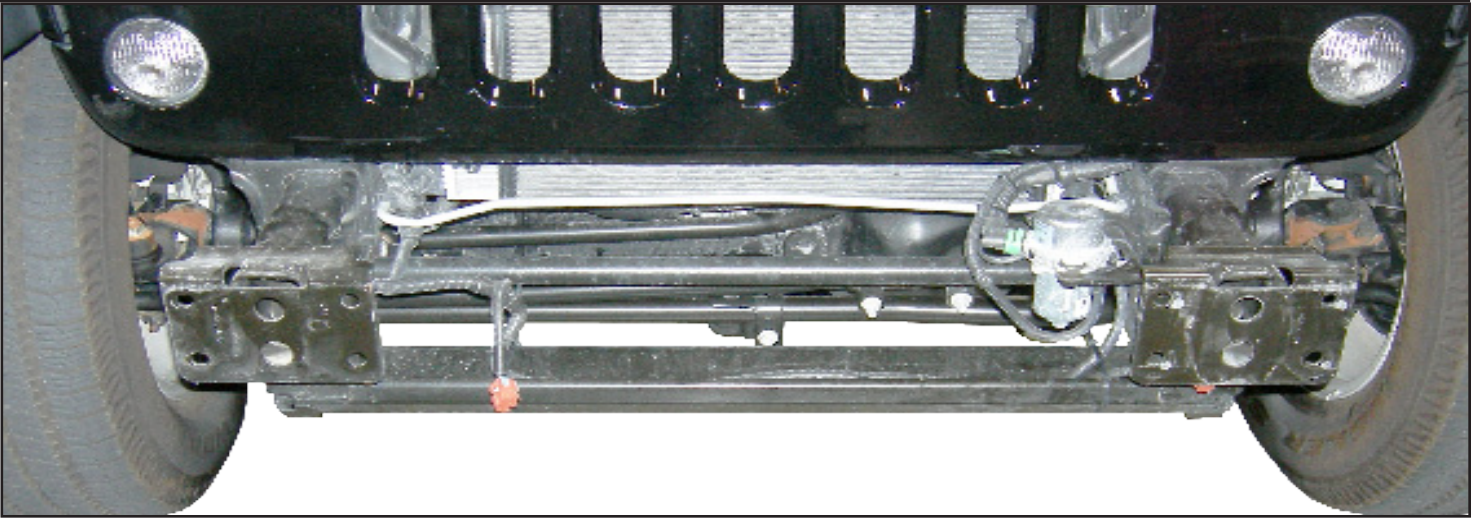


Fig. 2 Driver Side Fog Light Installed

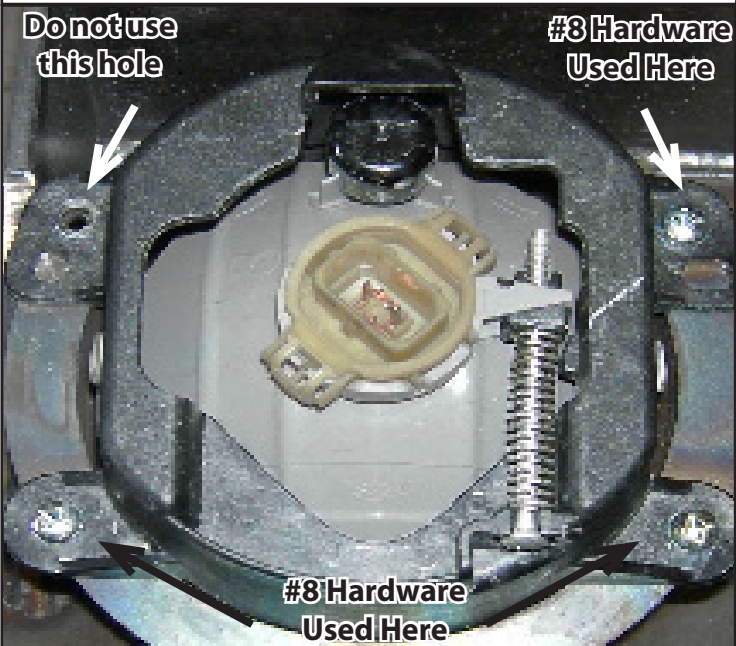


Fig. 3 Factory Support Plate



Fig. 4 Factory Support Plate

