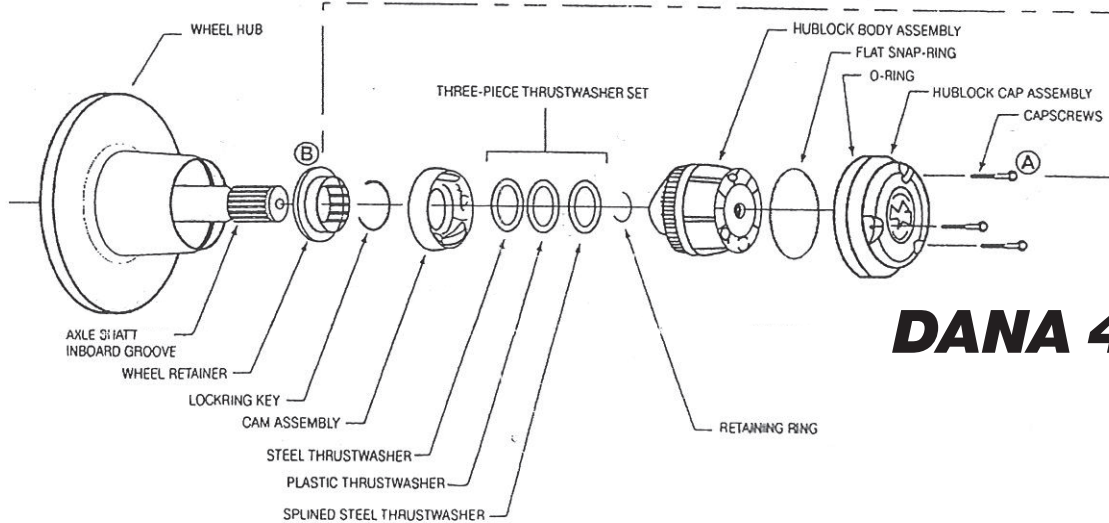


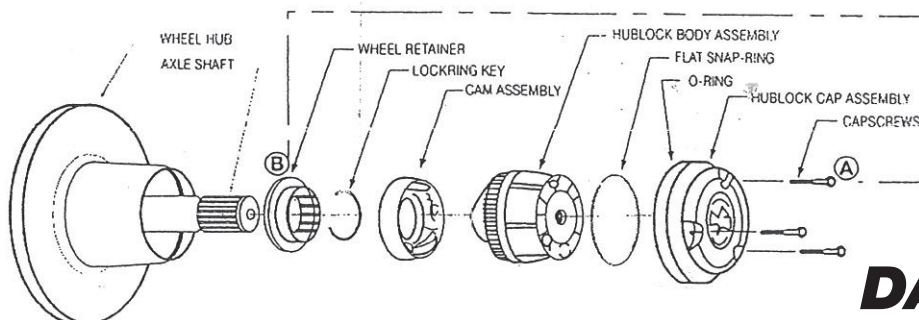
Stock Hub Removal:

Remove all automatic hub components illustrated below starting with capscrews (listed as A).

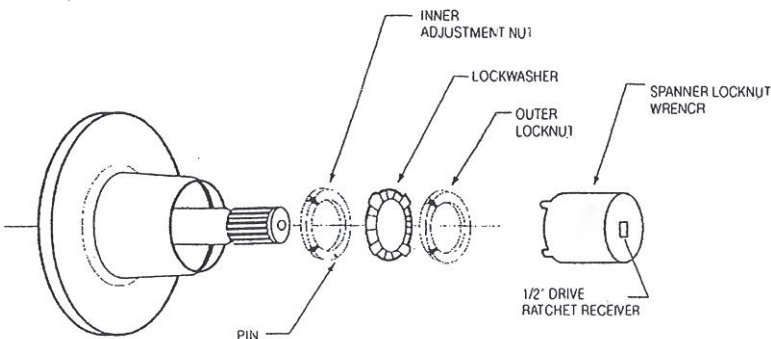
NOTE: Use small pick to remove locking key from wheel retainer.



DANA 44 AXLE
95-32720



DANA 50 AXLE
95-32721



DANA 60 AXLE
15002-01

Installation Instructions:

1. Install the inner locknut (nut with pin) and torque the nut to 50 ft. lb. while rotating the vehicle hub back and forth and using spanner locknut wrench.
2. Back off the inner locknut then tighten to 30-40 ft. lb. while rotating hub back and forth.
3. Back off locknut 90 degrees.
4. Install the lockwasher making sure the hole in the lockwasher lines up with the pin on the inner locknut.
5. Now install the outer locknut and tighten to 160-205 ft. lb. using spanner locknut wrench.

CAUTION: Inner adjustment nut, lockwasher and outer locknut must be installed according to steps 1 through 5. Severe damage may occur!

MILE MARKER/SELECTRO HUBS Conversion Kits Limited Warranty:

Mile Marker Industries warrants directly to the first purchaser that all Mile Marker Hub Part Numbers 427, 428, and all "Selectro Classic" models will be free from defect in material and workmanship appearing under normal use and service for a period of one year.

Warranty registration cards for each product must be submitted at the time of purchase or within 30 days by the end user. If you discover a hidden defect, Mile Marker will, as its option, repair or replace the product or necessary replacement parts at no charge to you, provided you remove the product from the vehicle and return it prepaid to Mile Marker Industries. If the product was purchased in the United States, the owner must contact our warranty department to get a Return Goods Authorization (RGA) Number before returning the product. If the product was purchased outside the United States, the owner must return the product to the original place of purchase.