



# Installation Instructions TREKTOP NX GLIDE 4-Door

Vehicle Application:  
Jeep® Wrangler JK Unlimited 2007-2018  
Part Number 54923

## Installation Tips

Before you begin installing your new Trek Top Glide, please read all the instructions thoroughly.

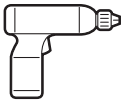







**WARNING** Do not rely in any way on the components of this product to protect against injury or death in the event of an accident. Never operate the vehicle in excess of manufacturer's specifications.

Read and follow, precisely, all installation instructions provided when installing this product. Failure to do so may result in a poor fit and could place occupants of the vehicle in a potentially dangerous situation.



## WEAR SEAT BELTS AT ALL TIMES

**CAUTION** Safety glasses should be worn at all times when installing this product.

Tools				Installation Time	Support
				 4 hours	We're here to help! Go to <a href="http://www.Bestop.com">www.Bestop.com</a> and click on "Contact Us"
Drill Driver & #2 Phillips Bit	#2 Phillips Screwdriver	T30 Torx Driver	Vise-Grips	<b>Skill Level</b>	
				 3 - Moderately Difficult	
Adjustable Wrench		Safety Glasses			



## Installation Instructions TREKTOP NX GLIDE 4-Door

Vehicle Application:  
Jeep® Wrangler JK Unlimited 2007-2018  
Part Number 54923

### Sugerencias de Instalación

**Antes de empezar a instalar esta unidad, lea atentamente todas las instrucciones.**

#### Para un buen ajuste:

Para facilitar la instalación, el producto debe instalarse a temperaturas superiores a 72 °F (22 °C).

Por debajo de esta temperatura, la tela puede encogerse una pulgada o más, lo que dificultaría su ajuste al vehículo.

Es normal que la tela se contraiga o arrugue cuando está guardada en la caja de empaque. A los pocos días después de la instalación, la tela se relajará y las arrugas desaparecerán.



#### ADVERTENCIA

Este producto se diseñó principalmente para mejorar la apariencia del vehículo y proteger a los ocupantes de las condiciones climáticas comunes. De ninguna manera piense que los componentes de este producto pueden servir como medio de contención para los ocupantes del vehículo o que pueden protegerlos contra lesiones o la muerte en caso de accidente. Este producto no protegerá a los ocupantes contra caídas de objetos. Nunca conduzca este vehículo fuera de las especificaciones del fabricante.

#### USE LOS CINTURONES DE SEGURIDAD EN TODO MOMENTO

Lea y siga con precisión todas las instrucciones de instalación que se proporcionan para instalar este producto. Si no lo hace, podría producirse un mal ajuste que colocaría a los ocupantes del vehículo en una situación potencialmente peligrosa.



#### PRECAUCIÓN

Debe usar gafas protectoras en todo momento durante la instalación de este producto.

### Conseils pour l'installation

**Lire toutes les instructions au complet avant de commencer l'installation de cet assemblage.**

#### Pour un ajustement sans problème :

Afin de faciliter l'installation, ce produit doit être installé à des températures au-dessus de 72 °F (22 °C).

Sous cette température, le tissu peut rétrécir d'un pouce (2,5 cm) ou plus, ce qui rendra l'ajustement sur le véhicule difficile.

Il est normal que le tissu rétrécisse et plisse pendant qu'il est dans la boîte d'expédition. En quelques jours après l'installation, le tissu se détendra et les plis disparaîtront.



#### AVERTISSEMENT

Ce produit est conçu principalement pour améliorer l'apparence du véhicule et pour protéger les occupants des conditions météorologiques usuelles. Ne jamais se fier aux composants de ce produit pour se protéger de blessures ou de la mort en cas d'accident. Ce produit ne protégera pas les occupants des chutes d'objets. Ne jamais utiliser le véhicule au-delà des caractéristiques techniques indiquées par le fabricant.

#### PORTER UNE CEINTURE DE SÉCURITÉ EN TOUT TEMPS

Lire et suivre, très fidèlement, toutes les instructions d'installation fournies lors de l'installation de ce produit. Ne pas suivre cette consigne peut causer une installation inadéquate et mettre les occupants du véhicule dans une situation potentiellement dangereuse.



#### MISE EN GARDE

Des lunettes de sécurité doivent être portées en tout temps lors de l'installation de ce produit.



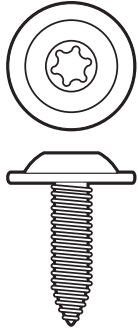

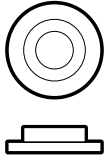



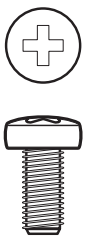
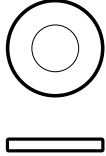

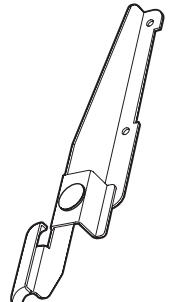
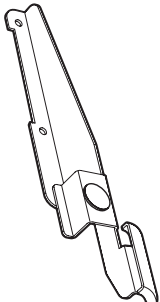
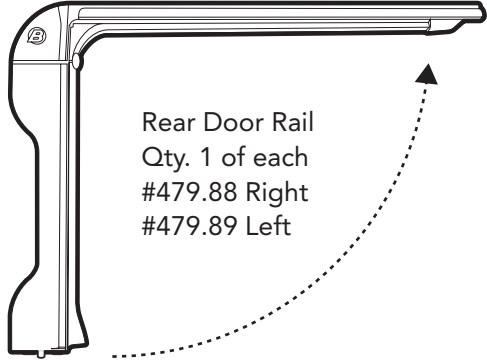


# Installation Instructions TREKTOP NX GLIDE 4-Door

Vehicle Application:  
Jeep® Wrangler JK Unlimited 2007-2018  
Part Number 54923

## Parts List

- Required parts for installation - Page number in Installation Guide

All Sections		Hardware and Fasteners				Multiple Pages	
 <p>M5 x 16 Screw Qty. 6 Part # 459.45</p>	 <p>M5 x 30 Screw Qty. 2 Part # 308.87</p>	 <p>Bow Mount Screw Qty. 4 Part # 308.64</p>	 <p>#8 x 1/2" Pan Head Washer Screw Qty. 26 Part # 393.79</p>	 <p>Plastic Bushing Qty. 8 Part # 473.40</p>	 <p>Pivot Knuckle Screw Qty. 2 Part # 308.65</p>	 <p>#8 x 1/2" Hi Low Screw Qty. 4 Part # 459.03</p>	 <p>M5 Nylon Lock Nut Qty. 8 Part # 308.62</p>
Section 1		Cable Guide Brackets & Rear Door Rails				Pages 7 & 8 of Guide	
 <p>M3 Machine Screw Qty. 4 Part # 545.15</p>	 <p>M3 Flat Washer Qty. 4 Part # 545.13</p>	 <p>M3 Nylon Lock Nut Qty. 4 Part # 545.14</p>	 <p>Cable Guide Bracket Qty. 1 Part # 482.83 - Left</p>	 <p>Cable Guide Bracket Qty. 1 Part # 482.82 - Right</p>	 <p>Rear Door Rail Qty. 1 of each #479.88 Right #479.89 Left</p>		

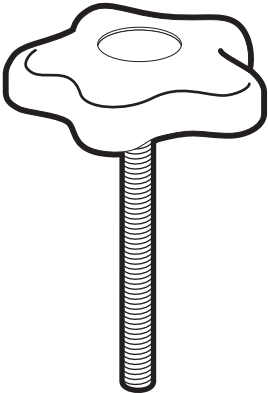
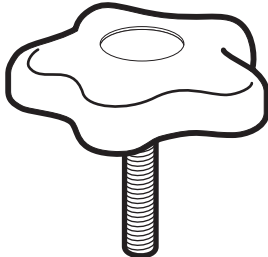
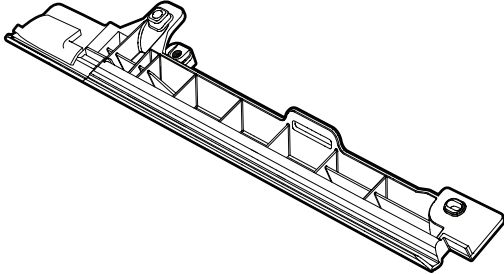
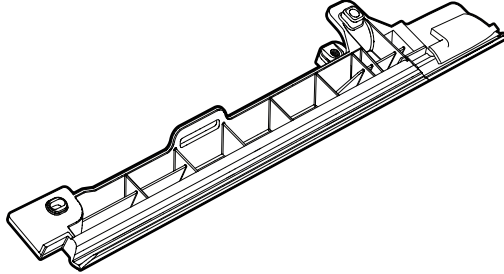


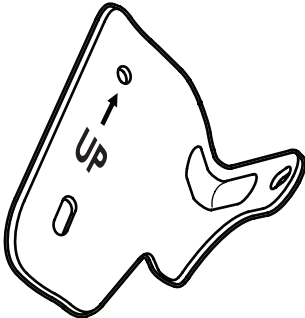
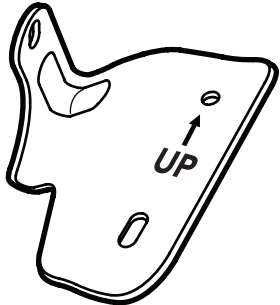


# Installation Instructions TREKTOP NX GLIDE 4-Door

Vehicle Application:  
Jeep® Wrangler JK Unlimited 2007-2018  
Part Number 54923

## Parts List

- Required parts for installation - Page number in Installation Guide

Section 2 Knobs and Front Door Rails		Pages 8 & 9 of Guide	
 <p>M8 x 75mm Knob Qty. 4 Part # 478.90</p>	 <p>M8 x 30mm Knob Qty. 2 Part # 480.22</p>	 <p>Front Door Rail Qty. 1 Part # 479.87 - Left</p>	 <p>Front Door Rail Qty. 1 Part # 479.86 - Right</p>
Sections 3 & 4 Top Arches & Bow Mount Brackets		Pages 10 & 11 of Guide	
 <p>Front Top Arch Qty. 1 Part #486.55</p>  <p>Rear Top Arch Qty. 1 Part #486.56</p>	 <p>Bow Mount Bracket Qty. 1 Part # 538.41- Left</p>	 <p>Bow Mount Bracket Qty. 1 Part # 538.40 - Right</p>	

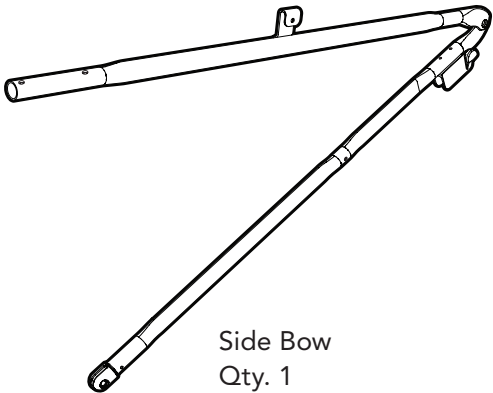
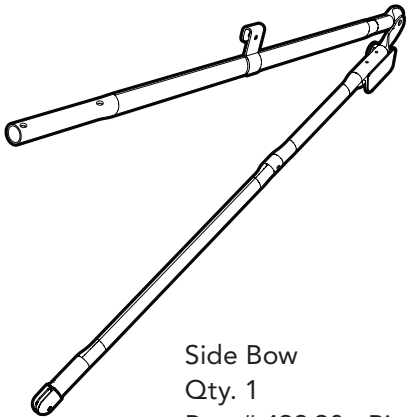

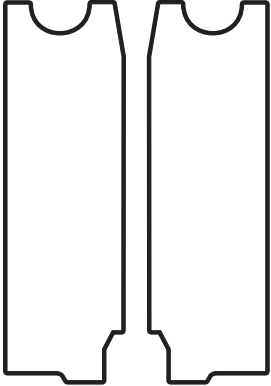
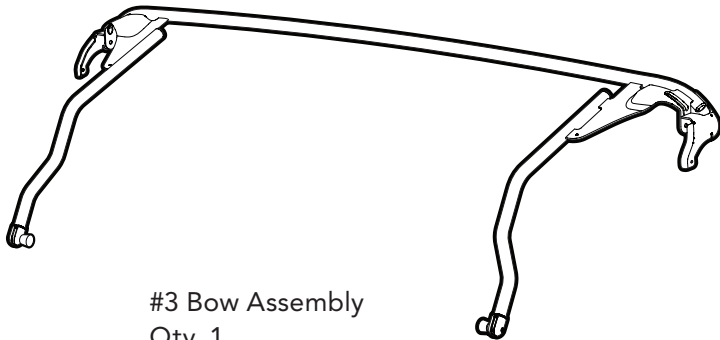
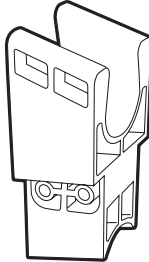
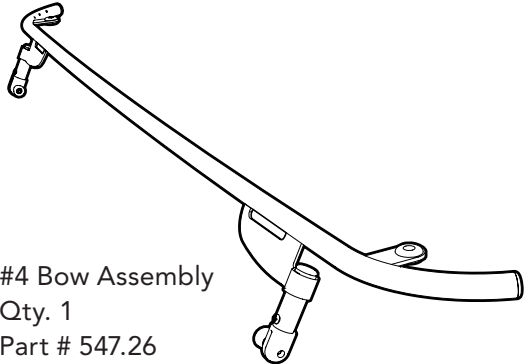


# Installation Instructions TREKTOP NX GLIDE 4-Door

Vehicle Application:  
Jeep® Wrangler JK Unlimited 2007-2018  
Part Number 54923

## Parts List

- Required parts for installation - Page number in Installation Guide

Sections 5 and 6 Side Bows, Foam Tape and Foam Seals		Pages 12 to 14 of Guide	
 <p>Side Bow Qty. 1 Part # 492.89 - Left</p>	 <p>Side Bow Qty. 1 Part # 492.90 - Right</p>	 <p>Foam Tape Strips Qty. 2 Part # 417.43</p>	 <p>Foam Seals Qty. 1 per side Part # 457.76 (R) &amp; 457.77(L)</p>
Sections 8 & 9 #3 Bow, Bow Stops and #4 Bow		Pages 15 to 17 of Guide	
 <p>#3 Bow Assembly Qty. 1 Part # 547.25</p>	 <p>Bow Stop Qty. 2 Part #539.58</p>	 <p>#4 Bow Assembly Qty. 1 Part # 547.26</p>	



# Installation Instructions TREKTOP NX GLIDE 4-Door

Vehicle Application:  
Jeep® Wrangler JK Unlimited 2007-2018  
Part Number 54923

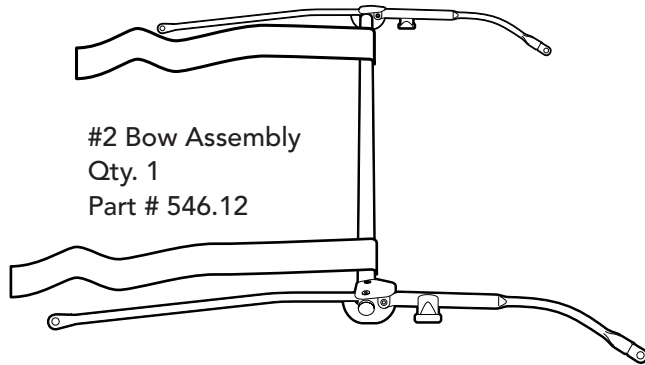
## Parts List

- Required parts for installation - Page number in Installation Guide

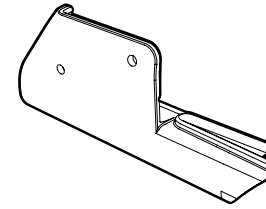
### Sections 12 to 17

### #2 Bow and Cable Pockets

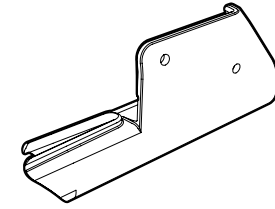
Pages 20 to 25 of Guide



#2 Bow Assembly  
Qty. 1  
Part # 546.12



Cable Pocket  
Qty. 1  
Part # 544.20 - Right

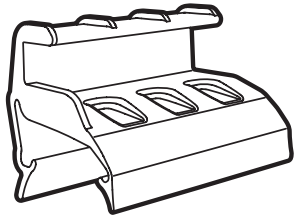


Cable Pocket  
Qty. 1  
Part # 544.21 - Left

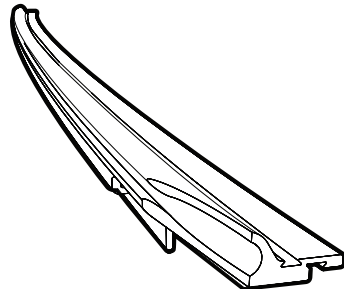
### Sections 19 to 23

### Tailgate Bar Mounts, Tailgate Bar, Quarter & Rear Windows

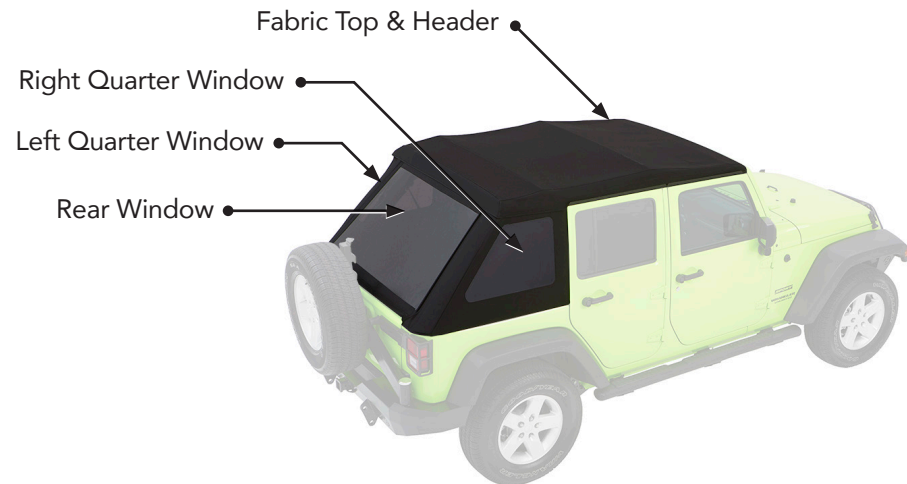
Pages 28 to 33 of Guide



Tailgate Bar Mounts  
Qty. 1 of each  
Part # 539.57 - Left  
Part # 539.56 - Right

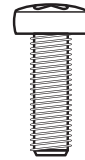


Tailgate Bar  
Qty. 1  
Part #538.76



<b>Step 1</b>	482.82	479.88	459.45	308.62
---------------	--------	--------	--------	--------

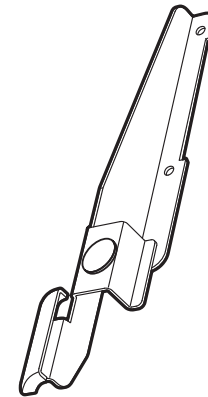
**Hardware**



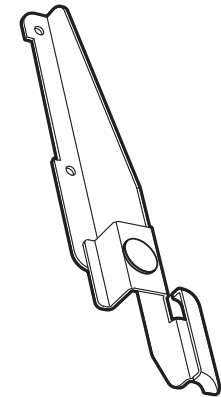
M5 x 16 Screw  
Qty. 2 per side  
Part #459.45



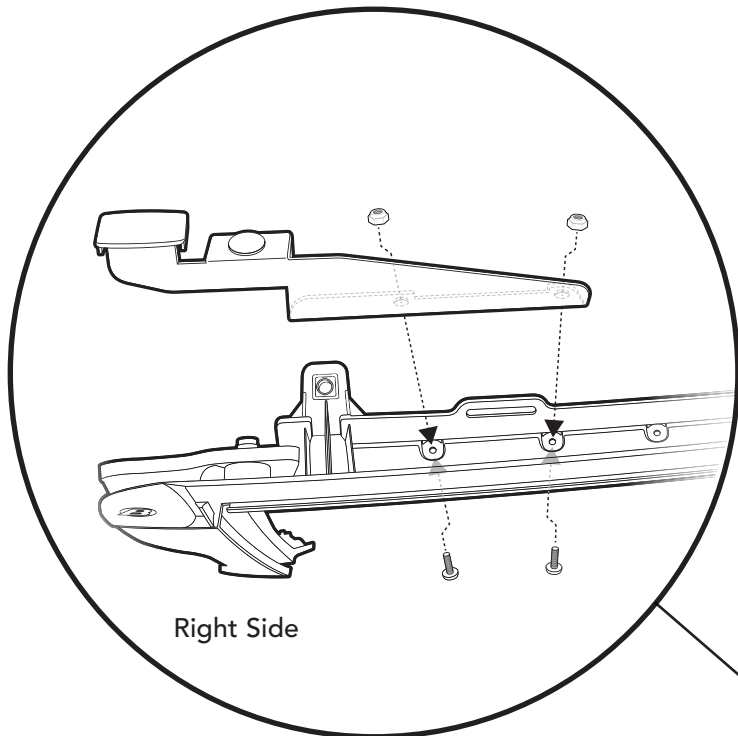
M5 Nylon Lock Nut  
Qty. 2 per side  
Part #308.62



Cable Guide Bracket  
Qty. 1  
Part #482.83 - Left



Cable Guide Bracket  
Qty. 1  
Part #482.82 - Right

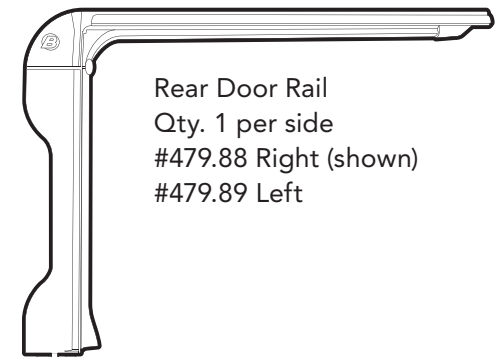


Right Side

**Step 1**

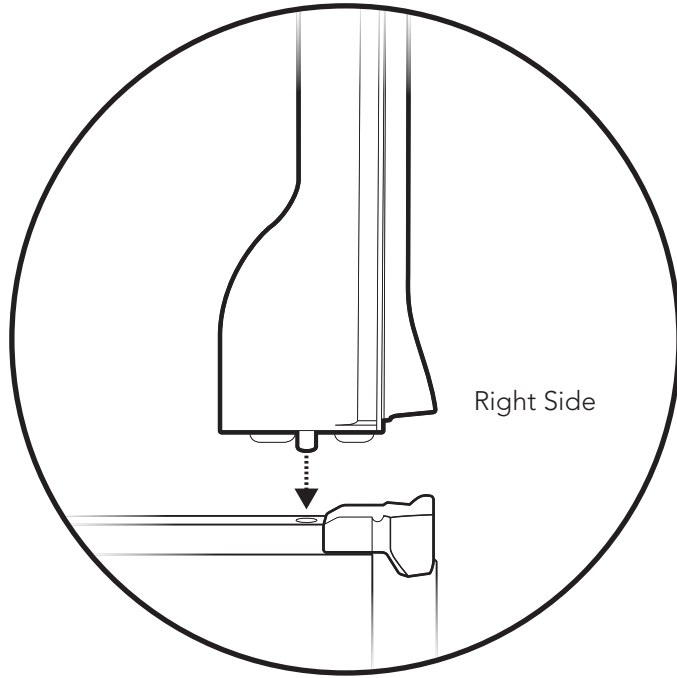
Attach the Right Cable Guide Bracket #482.82 to the Right Rear Door Rail #479.88 using two (2) M5 x16 screws #459.45 and two M5 Nylon Lock nuts #308.62.

Repeat for left side.

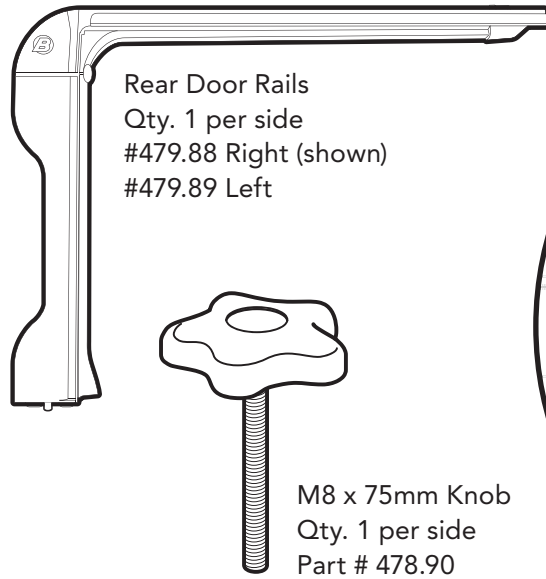


Rear Door Rail  
Qty. 1 per side  
#479.88 Right (shown)  
#479.89 Left

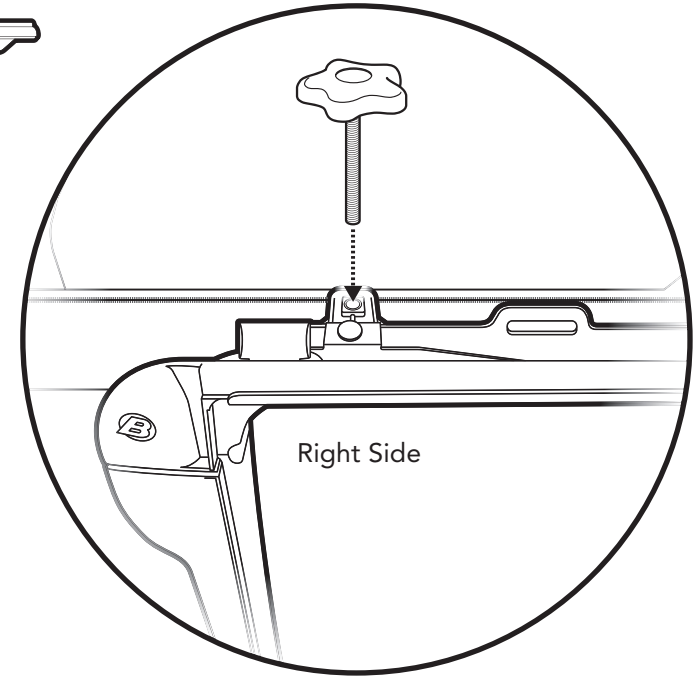
**Step 1** 479.88



**Hardware**



**Step 2** 478.90



**Step 1**

Locate the Right Rear Door Rail #479.88.

Attach the Right Rear Door

Rail assembly to the Jeep belt rail behind the right rear door, inserting the alignment pin on the bottom of the Door Rail Assembly into the hole in the top of the belt rail.

Repeat for left side Rear Door Rail #479.89.



**Step 2**

Secure Left and Right Rear Door Rails to the Jeep Sport Bar using (1) Long M8 x75mm Knob #478.90 per side.

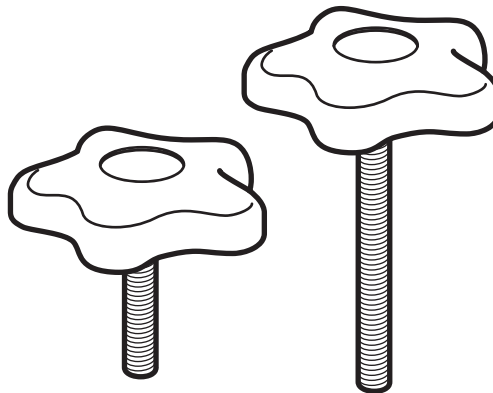
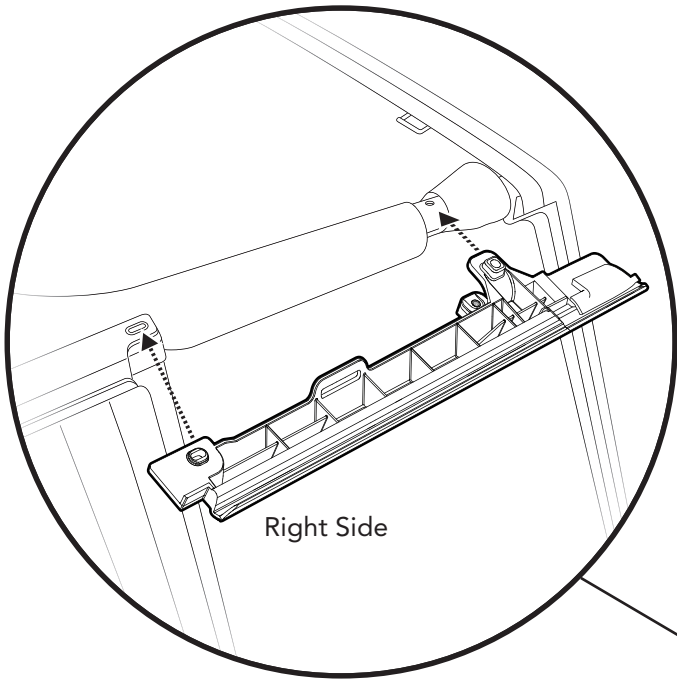
The knobs go through the tab at the rear of each Rear Door Rail, and screw into the threaded holes in the top of the sport bar.



**Step 1** 479.86 (Right) 479.86 (Left)

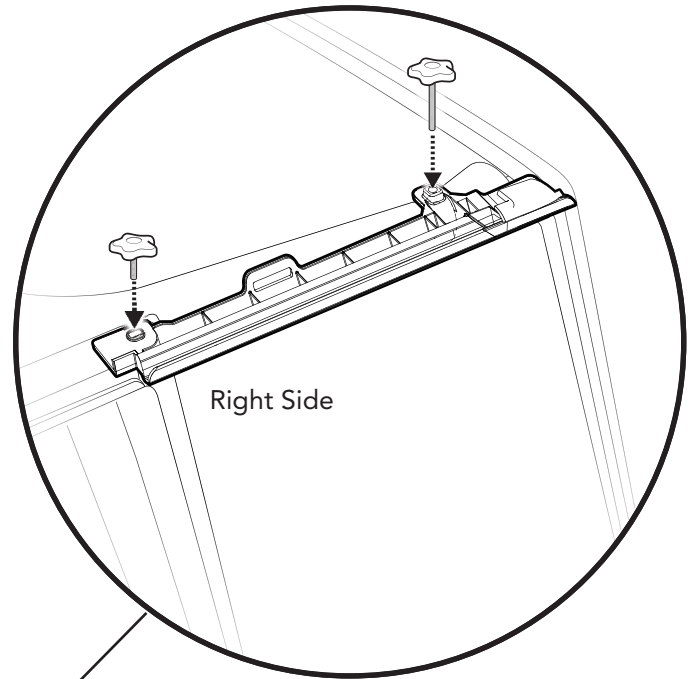
**Hardware**

**Step 2**



M8 x 30mm Knob  
Qty. 1 per side  
Part #480.22

M8 x 75mm Knob  
Qty. 1 per side  
Part #478.90



**Step 1**

Attach the Right Front Door Rail #479.87 to the Jeep sport bar, aligning the hole and slot in the tabs on the Front Door Rails with the threaded holes on the top of each sport bar, and with the slotted tab on each Rear Door Rail.

Repeat for the left side, using the Left Front Door Rail.



**Step 2**

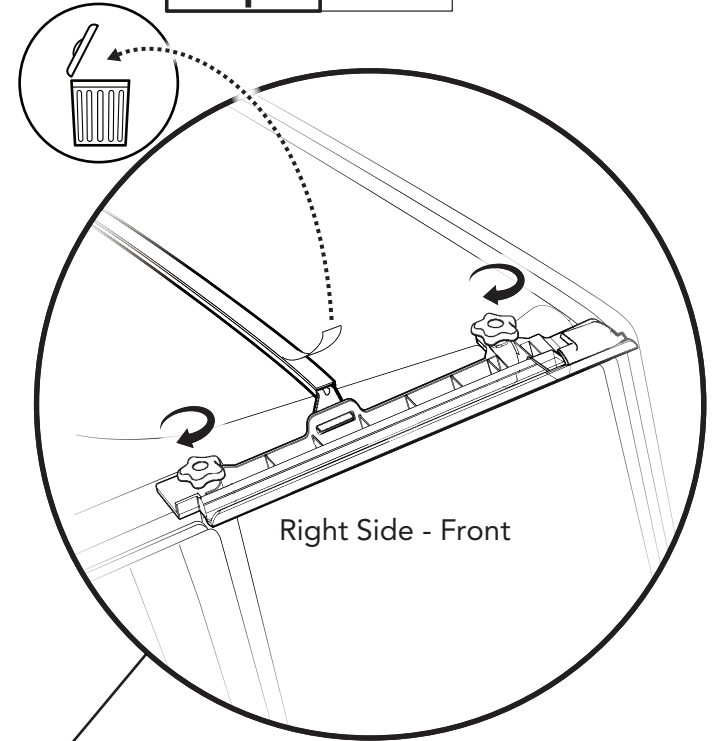
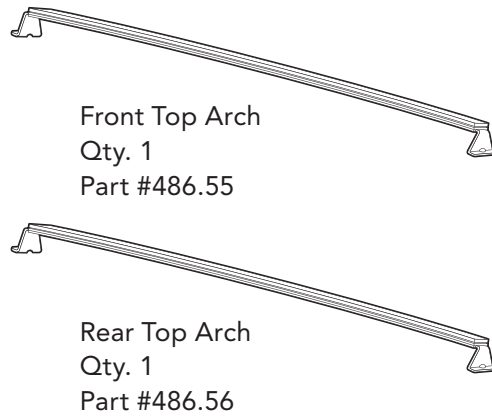
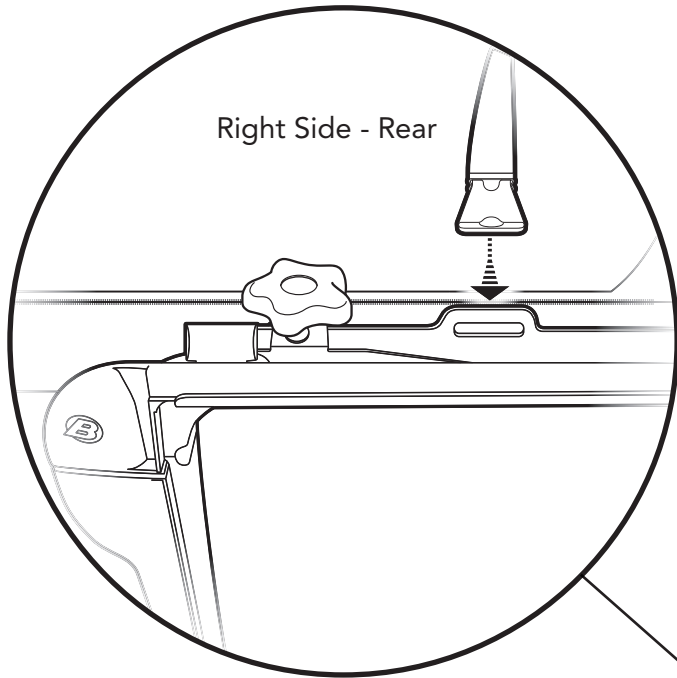
Secure the Front Door Rails to the sport bar using (1) M 8x30mm Short Knob #480.22 at the rear, and (1) M8 x75mm Long Knob #478.90 at the front.

Secure the front of each Front Door Rail first, and leave both knobs slightly loose until after installing Top Arches, in Section 3.

**Step 1** 486.56

**Hardware**

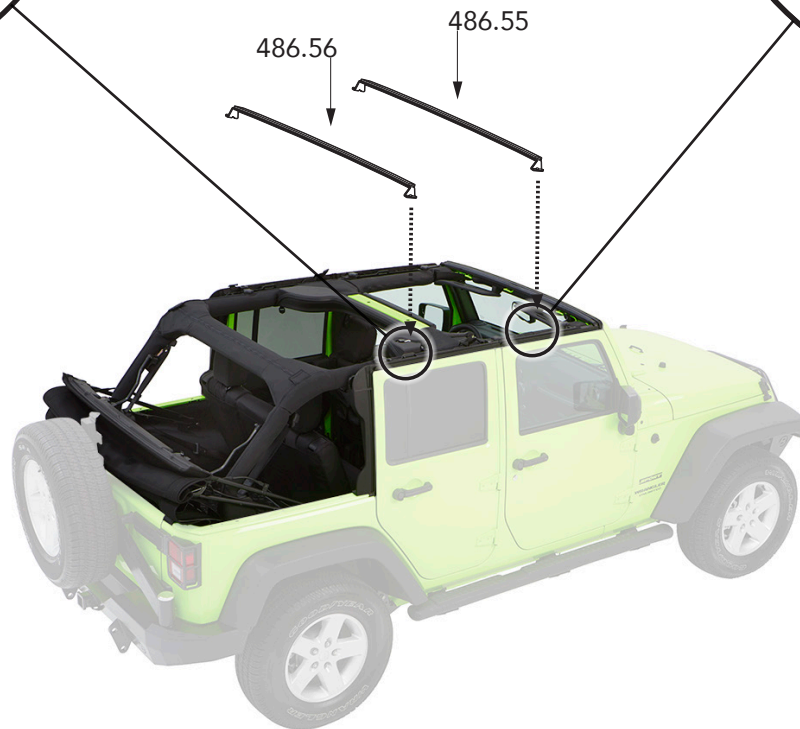
**Step 2** 486.55



**Step 1**

Insert the Rear Top Arch 486.56 into the vertical slotted tab on the Rear Door Rail. Insert one end, and flex the bow to insert the other end into the tabbed slot on the opposite side of the Jeep.

Repeat for Front Top Arch 486.55, inserting one end into the vertical tabbed slot in the Front Door Rail, and flexing to insert the other end into the tabbed slot on the opposite side of the Jeep.



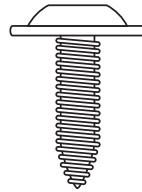
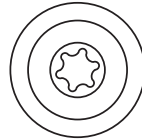
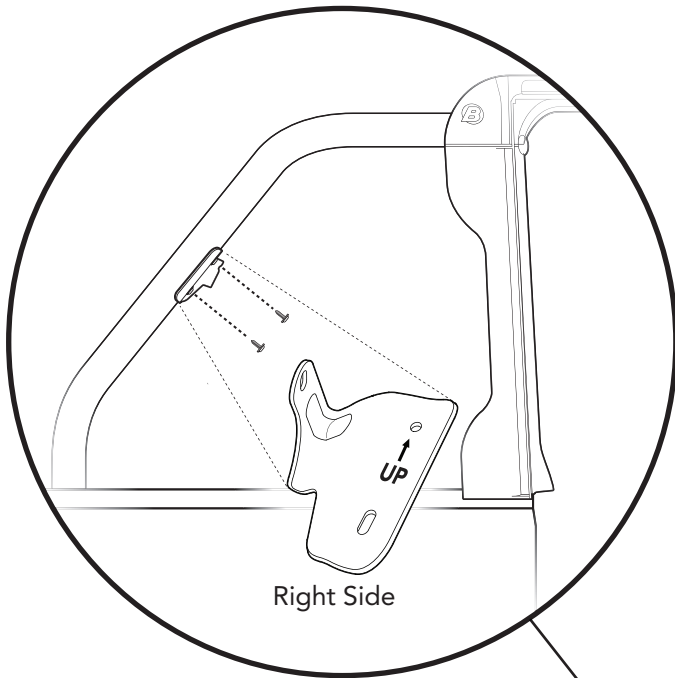
**Step 2**

Remove the protective peel-off strip on the top surface of each Top Arch.

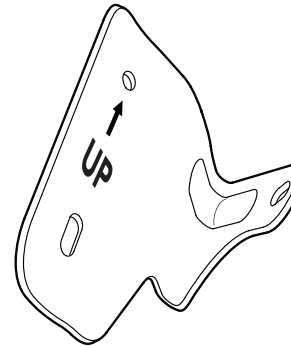
Tighten all the knobs on the Front and Rear Door Rails, on both sides of the Jeep.

**Step 1** 538.40 (Right)

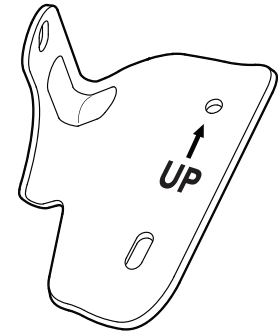
**Hardware**



Bow Mount Screw  
Qty. 2 per side  
Part # 308.64



Left Bow Mount Bracket  
Qty. 1  
Part # 538.41



Right Bow Mount Bracket  
Qty. 1  
Part # 538.40

**Step 1**

Unzip the protective cover on the rear sport bar down-tubes and locate the two threaded holes on the underside of each sport bar down-tube.

Attach the Right Bow-Mount Bracket #538.40 to the right-side sport bar down-tube using two (2) Bow-Mount Screws #308.64.

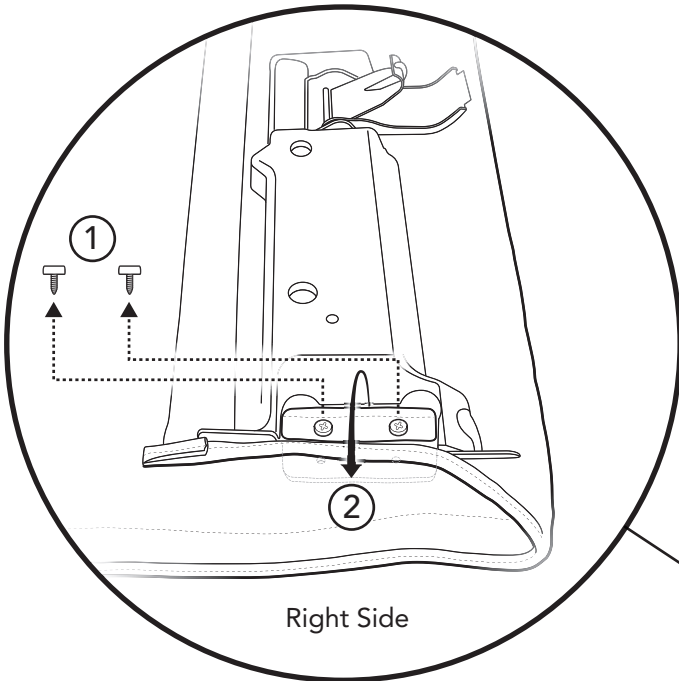
Attach the Left Bow-Mount Bracket #538.41 to the left-side sport bar down-tube using two (2) Bow-Mount Screws #308.64.



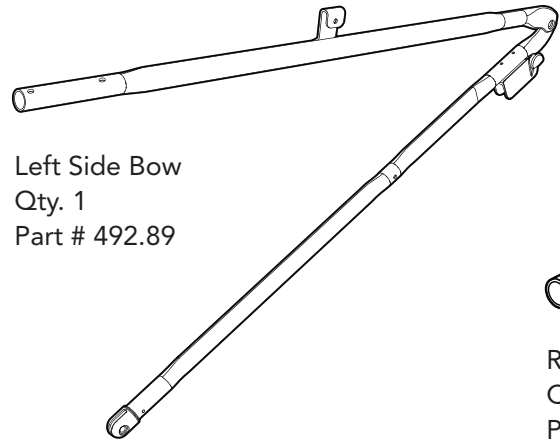
**Step 2**

Replace the sport bar protective cover, making sure that the Bow Mount Brackets stick out through the openings in the cover.

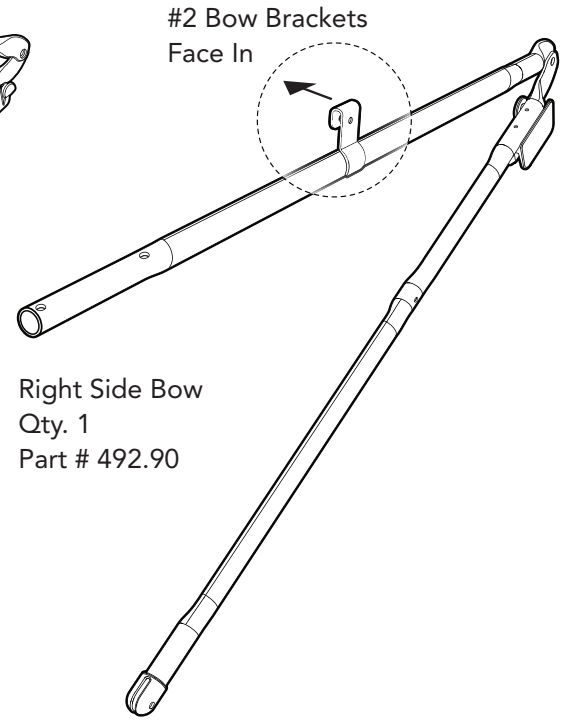
**Step 1** Header/Fabric Assembly



**Hardware**



Left Side Bow  
Qty. 1  
Part # 492.89



Right Side Bow  
Qty. 1  
Part # 492.90

**Step 1**

Lay the Header/Fabric Assembly out with inside of fabric facing up. You may want to use the shipping box to keep the fabric off the ground.

Remove and set aside the two screws holding the protective flap down on the inside of the header. Fold the protective flap back to expose the screw holes used for attaching the Right Side Bow.

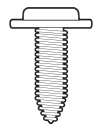
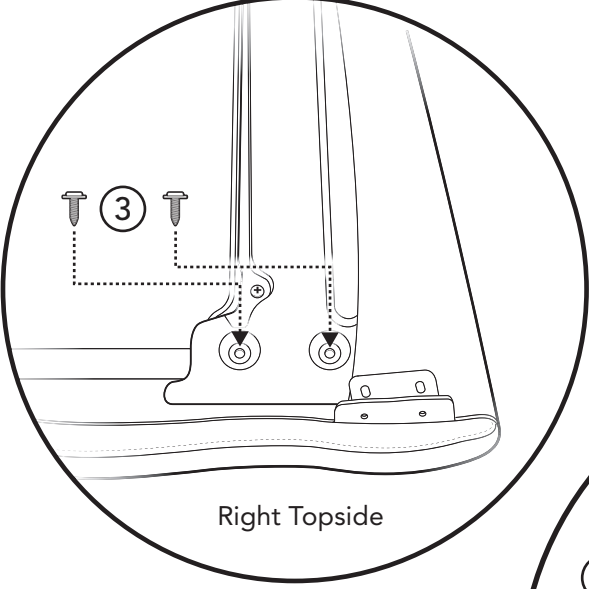
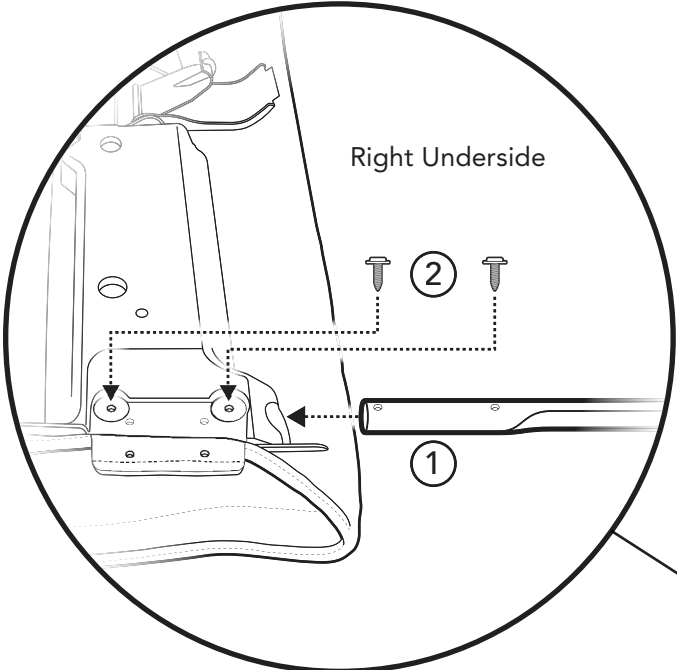
Repeat on left side of Header/Fabric Assembly.



**Step 2** 492.89 (Right) 492.89 (Left)

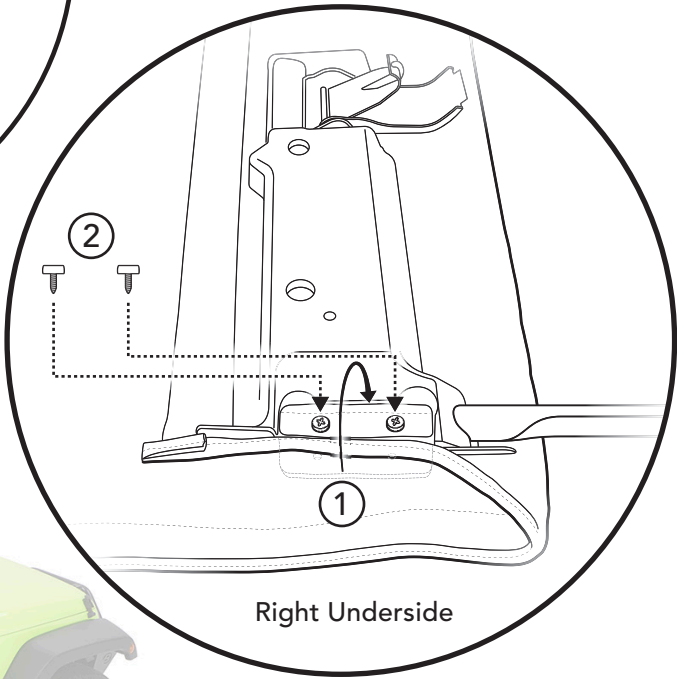
**Step 2**

**Hardware**



#8 x 1/2" Pan Head Washer Screw  
Qty. 4 per side  
Part # 393.79

**Step 3**



**Step 1**

Insert the end of the Right Side Bow #492.89 into the hole in the right side of the Header/Fabric Assembly, aligning the two holes in the tubing with the two holes in the header. Make sure that the #2 Bow Bracket faces in.

Use a #2 Phillips screwdriver to secure the Right Side Bow in place with four (4) #8 x 1/2" Pan Head Washer Screws #393.79: two from the underside of the Header/Fabric assembly, and two from the topside.

Repeat on left side, using Left Side Bow #492.90.

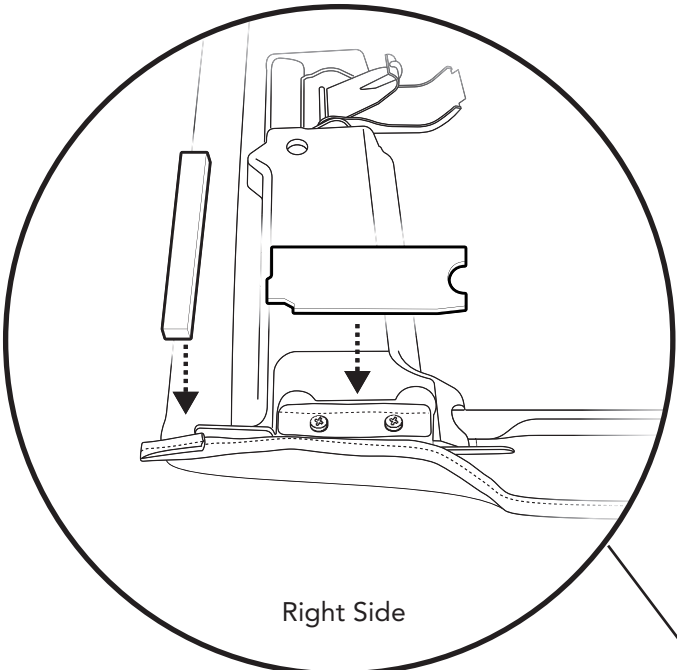


**Step 3**

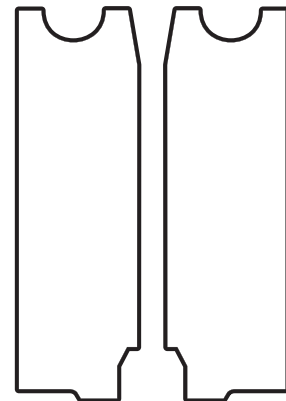
Replace the protective flaps on both sides, and re-insert the screws you set aside, two for each side.

**Step 1** 417.43 457.76 457.77

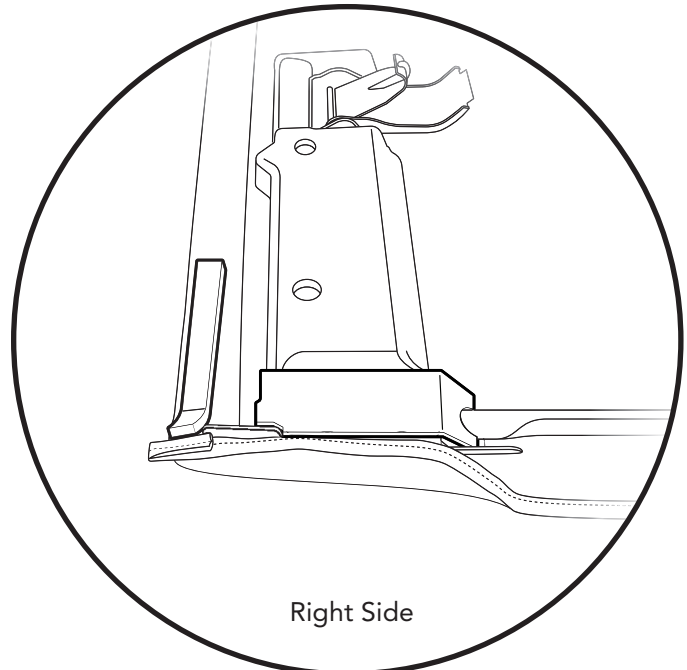
**Hardware**



Foam Tape Strips  
Qty. 2  
Part # 417.43



Foam Seals  
Qty. 1 per side  
Parts # 457.77 (L)  
& # 457.76 (R)



**Step 1**

With the front portion of the top folded back, locate the two Foam Seals #417.43 and the two Foam Tape Strips #457.76 and #457.77.

Remove the protective liner from the back side of the Foam Seals and place the Foam Seals in the location shown in the diagram.

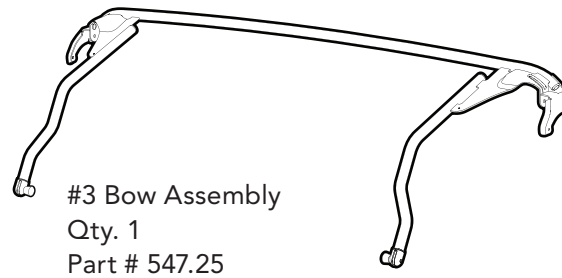
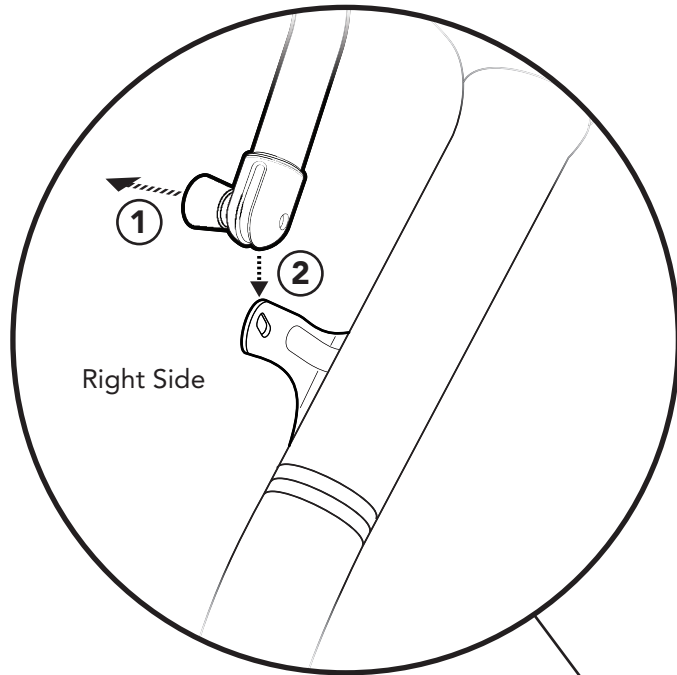
Remove the protective liners from the back side of the Foam Tape Strips and place the Foam Tape Strips in the location shown in the diagram.

Repeat on both sides of the vehicle.



**Step 1** 547.25

**Hardware**



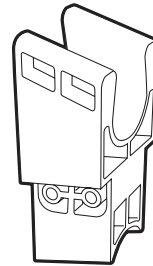
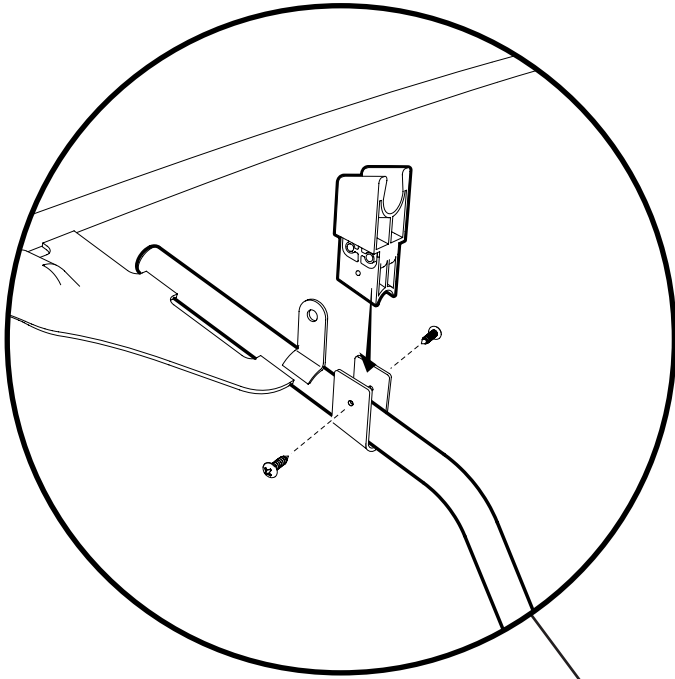
**Step 1**

Locate the #3 Bow Assembly #547.25.

Release the spring-loaded catch at the end of each bow leg by pulling out on the knob.

Slide the slotted end of the catch over the top portion of the Bow Mount Bracket #538.41, so that it snaps into place in the slotted hole in the Bow Mount Bracket.



**Step 1** 539.58 459.03**Hardware**

Bow Stop  
Qty.2  
Part #539.58



#8 x 1/2"  
Hi Low Screw  
Qty. 4  
Part #459.03

**Step 1**

Attach the Bow Stops #539.58 to the #3 Bow legs #547.25 with the narrow part of the Bow Stop inserted between the tabs on each #3 Bow leg. The holes for the screws in the tabs and in the Bow Stops must line up.

From each side of the Bow Stop, insert one (1) Hi Low screw #459.03 through the hole in the tab, and into the Bow Stop, and tighten.



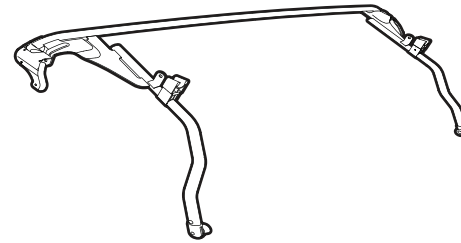
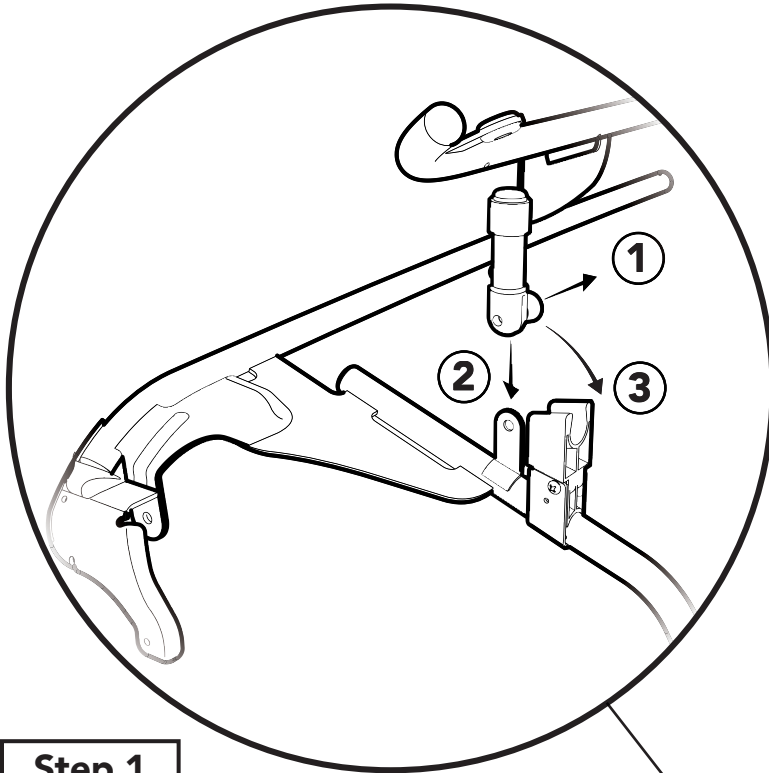


## Step 1

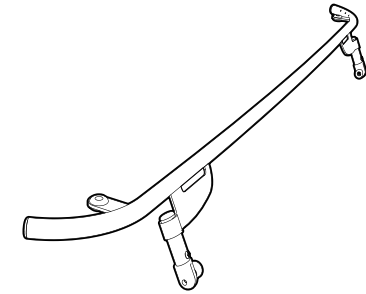
547.25

547.26

## Hardware



#3 Bow Assembly  
Qty. 1  
Part # 547.25  
(shown with #539.58  
bow stops attached)



#4 Bow Assembly  
Qty. 1  
Part # 547.26

## Step 1

Locate the #4 Bow Assembly #547.26.

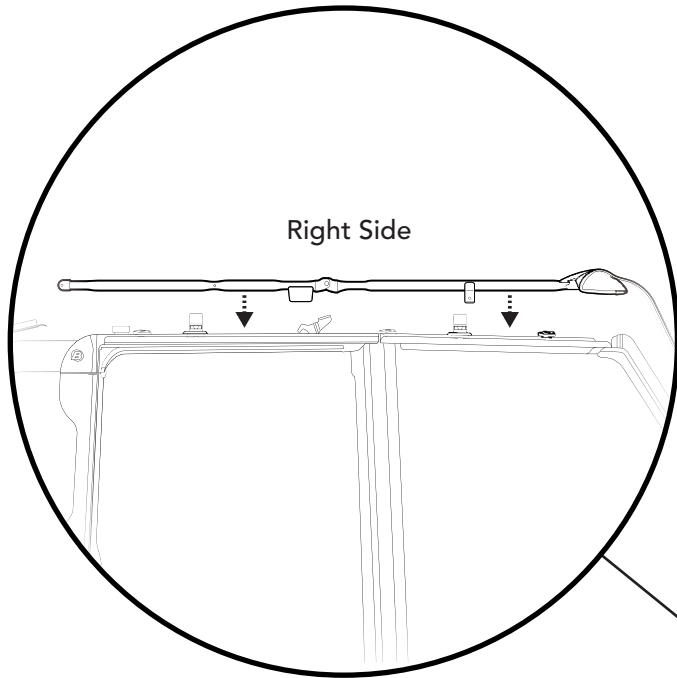
- ① Release the spring-loaded catch on each short leg of the #4 Bow by pulling out on the knob.
- ② Slide the slotted end of the catch over the tab on the #3 Bow Leg #547.25, so that it snaps into place in the hole in the tab.

Repeat on both sides of the #4 Bow.

- ③ After attaching the #4 Bow to the #3 Bow, pivot the #4 Bow down so that it snaps into place in the Bow Stops.



**Step 1** Fabric/Header/Side Bow Assembly



**Step 1**

Lift fabric and Header Assembly onto top of Jeep, with Header sitting on top of Jeep windshield, and fabric draped forward over Jeep hood.

You may want to protect the finish of the Jeep by putting a blanket across the Jeep hood.

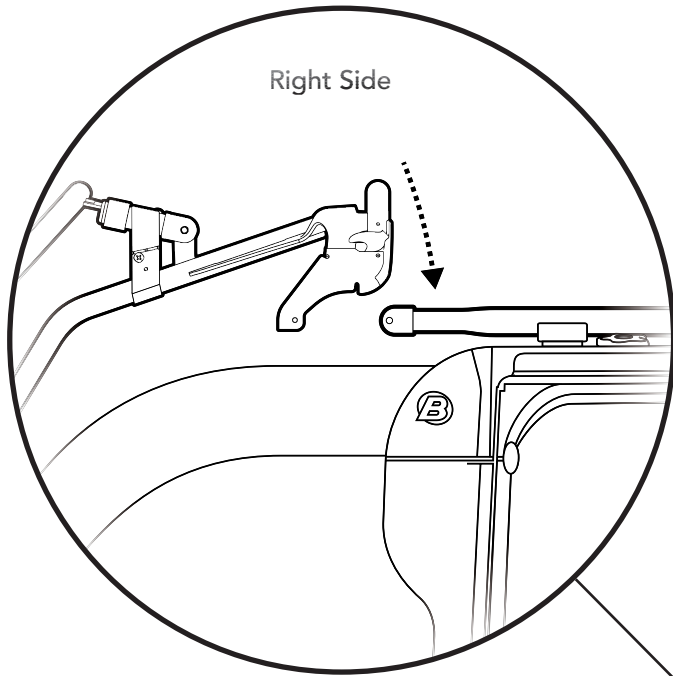
Extend the Side Bows out straight and lay the Side Bows on top of the Door Rails.



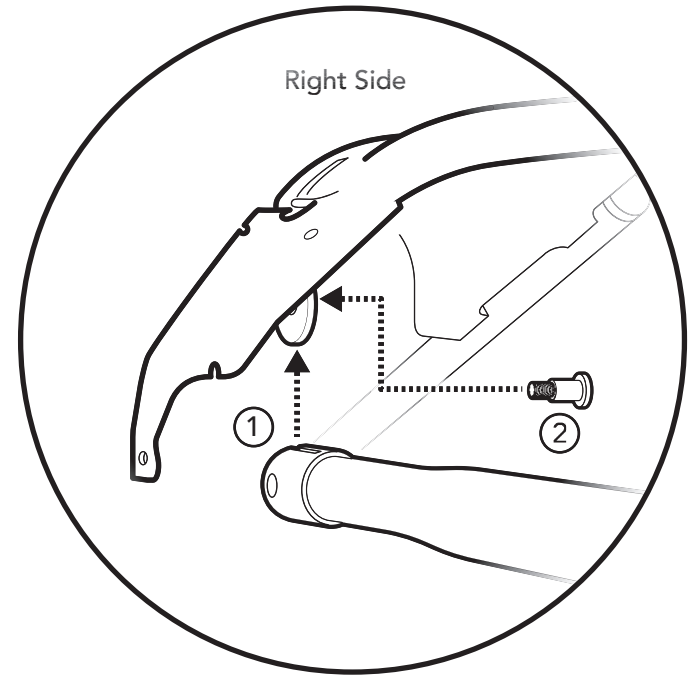
**Step 1** Header / Side Bow / Assembly

**Hardware**

**Step 2**



Pivot Knuckle Screw  
Qty. 1 per side  
Part # 308.65



**Step 1**

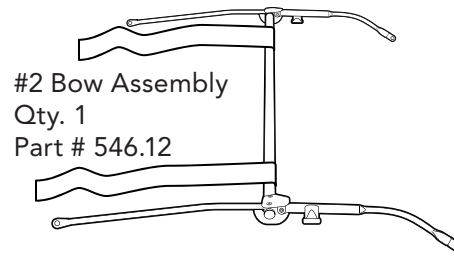
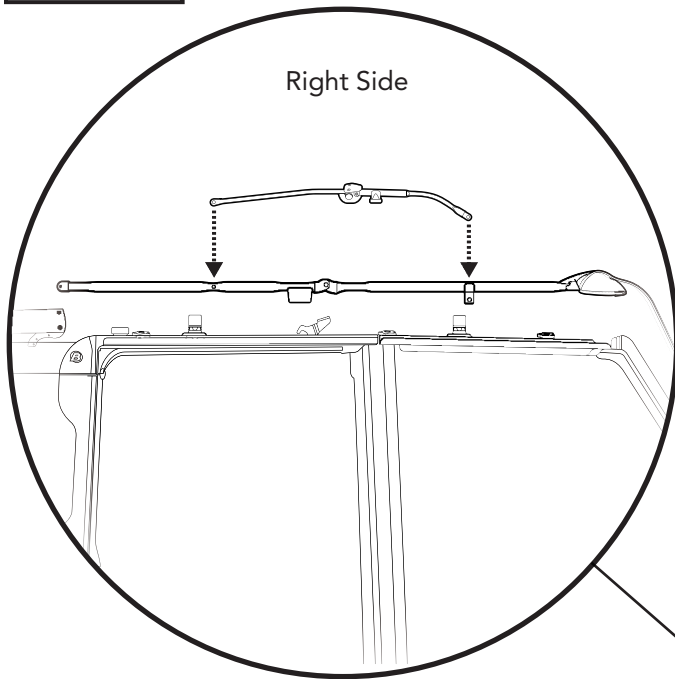
With the Header/Side Bow Assembly latched into place, pivot the #3 Bow forward, and slide the slotted portion of each pivot knuckle over the flange on the bottom of the #3 Bow corner plate, so that the holes in the flange and the hole in the pivot knuckle are aligned.



**Step 2**

Fasten the pivot knuckle on the end of each back leg of the Header/Side Bow Assembly to the flange on the underside of each #3 Bow corner plate, using one (1) Pivot Knuckle screw #308.65 per side.

**Step 1**



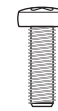
#2 Bow Assembly  
Qty. 1  
Part # 546.12



Plastic Bushing  
Qty. 4 per side  
Part # 473.40



M5 Nylon Lock Nut  
Qty. 2 per side  
Part # 308.62

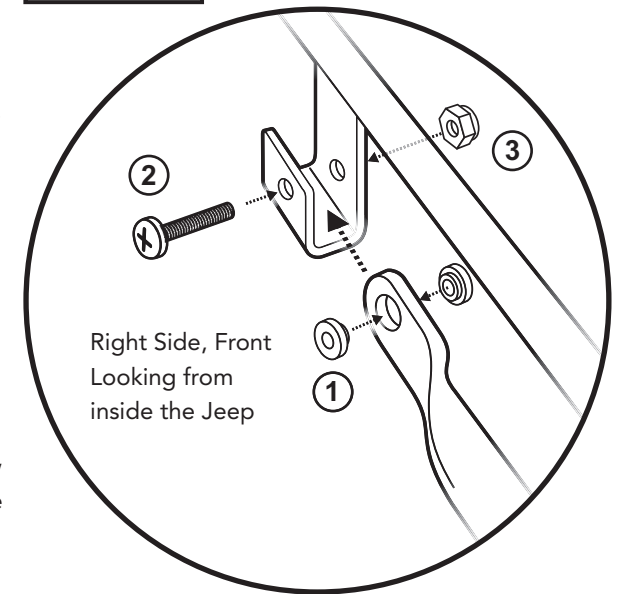


M5 x 16 Screw  
Qty. 1 per side  
Part # 459.45



M5 x 30 Screw  
Qty. 1 per side  
Part # 308.87

**Step 2**



Right Side, Front  
Looking from  
inside the Jeep

**Step 1**

Extend the legs of the #2 Bow #546.12 and orient the front legs with the J-bracket on the front inside of each Side Bow.

**Step 2**

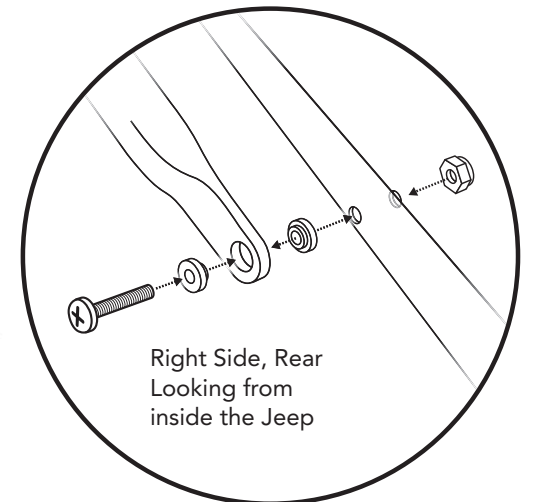
Attach the front legs to the Side Bows with one (1) M5 x 16 Machine Screw #459.45, two (2) Plastic Bushings #473.40, and one (1) M5 Nylon Lock Nut #308.62 per side.

**Step 3**

Attach the rear legs of the #2 Bow to the Side Bows using one (1) M5x30 Machine Screw #308.87, two (2) Plastic Bushings #473.40, and one (1) M5 Nylon Lock Nut #308.62 per side.

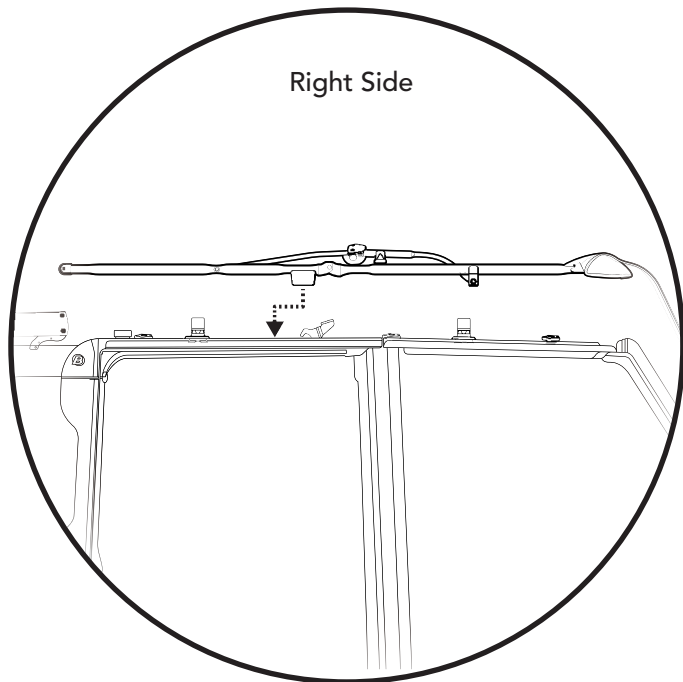


**Step 3**

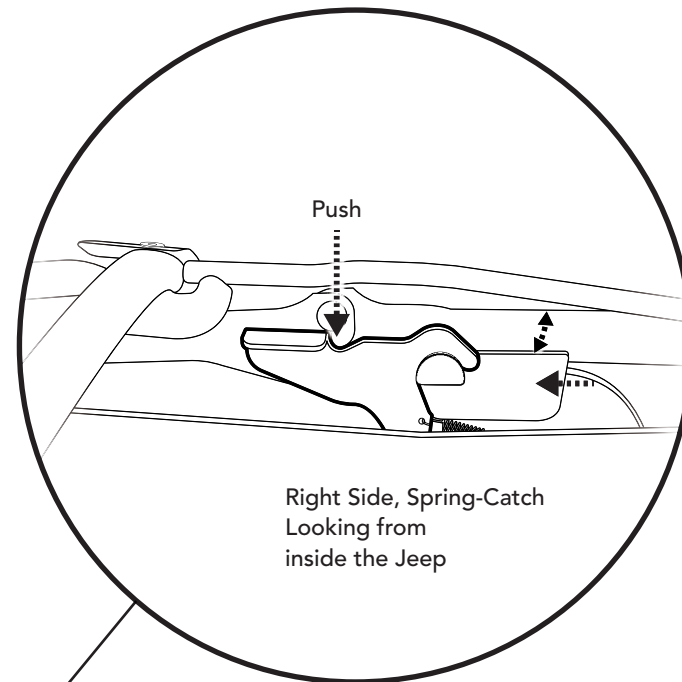


Right Side, Rear  
Looking from  
inside the Jeep

**Step 1** Header/Side Bow/Assembly



**Step 2**



**Step 1**

Align the Header-Bow Assembly in the tracks in the top of the Door Rails.

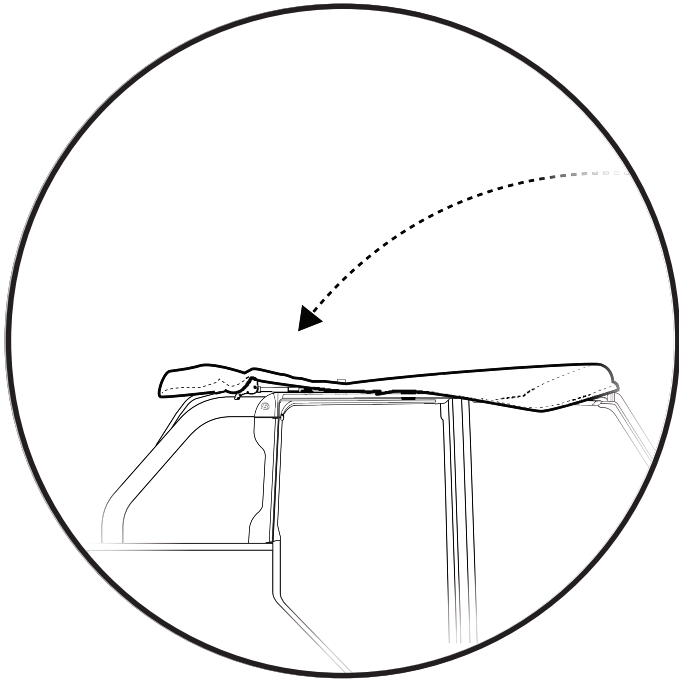
The plastic track guide on the Side Bow Assembly must be located to the rear of the spring-catch, and in position to slide forward over the vertical plastic rib in the top of the Rear Door Rail.

**Step 2**

Slide the whole Header/Side Bow Assembly forward in the tracks in the top of the Door Rails, until the button on the inside of each plastic track guide on the Side Bows slips under the spring-catch and latches in place.



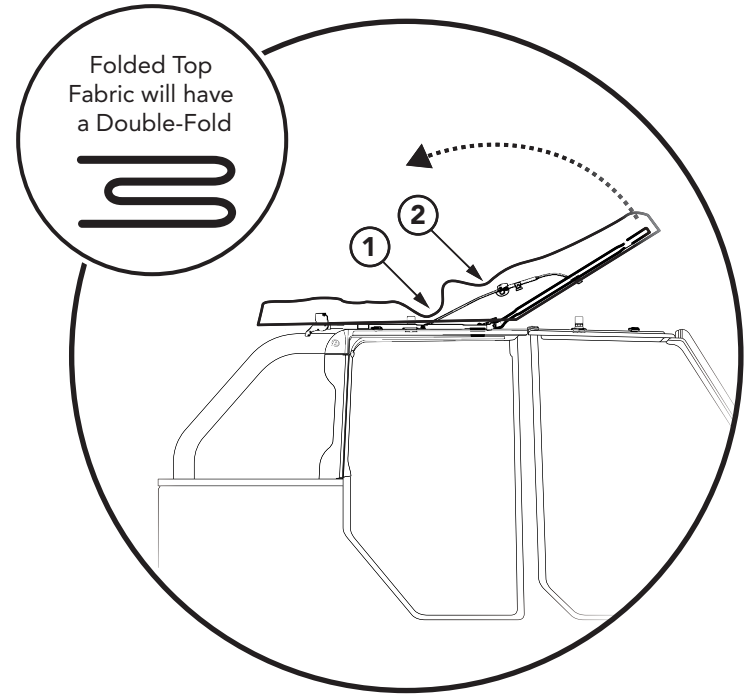
**Step 1** Fabric Top



**Step 1**

Lift up the fabric and drape it back over the top of the Jeep, pulling it over the top of the #3 Bow and Stay Strap connecting to the #4 Bow.

**Step 2**



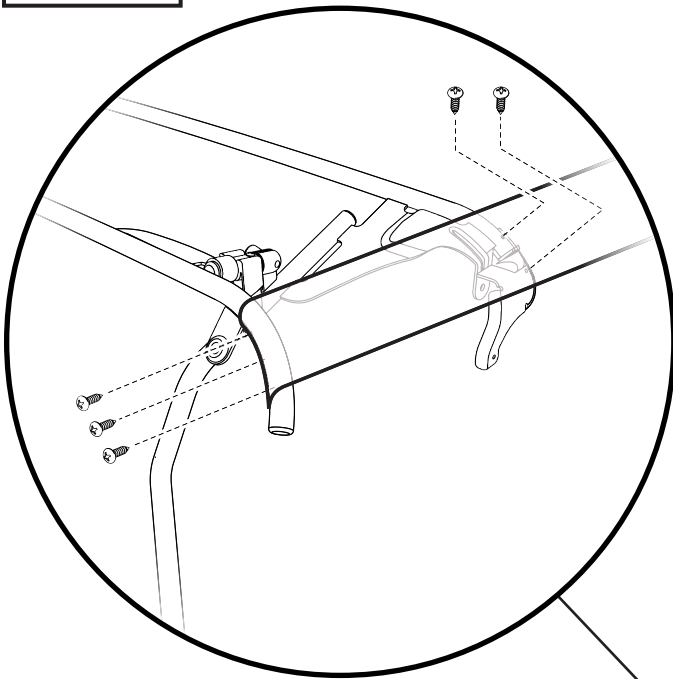
**Step 2**

Fold the Sunrider back from the front pivot point, resting the front portion of the top on the rear portion.

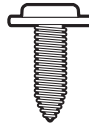
When folding the Sunrider back, be sure to push the fabric in at locations ① and ② as shown above, so that with the Sunrider folded all the way back, the fabric ends up with a double-fold, as shown.



**Step 1**



**Hardware**



#8 x 1/2"  
Pan Head  
Washer Screw  
#393.79  
Qty. 5 per side

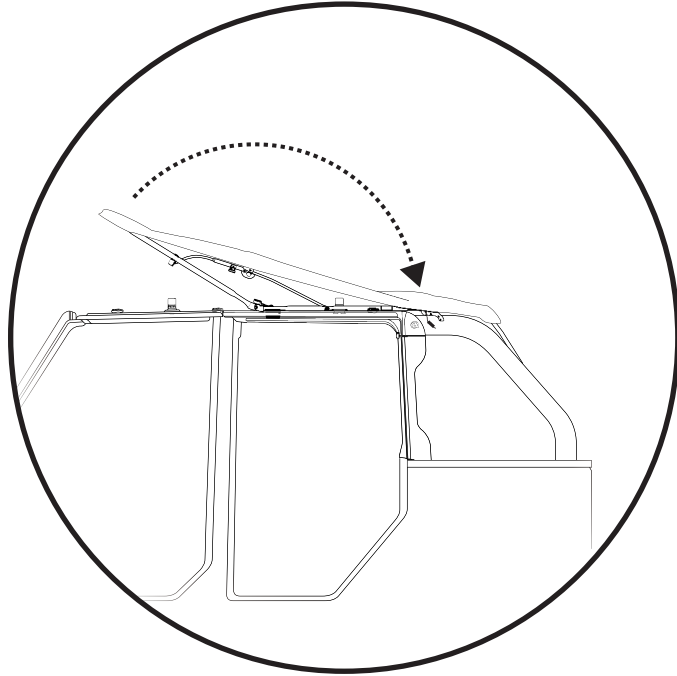
**Step 1**

With the #4 Bow disengaged from the Bow Stop, attach the loose end of the Stay Strap (attached to the #2 Bow at the opposite end) to the #4 Bow using three (3) Pan Head Washer Screws #393.79 per side, and to the #3 Bow using three (3) Pan Head Washer Screws #393.79 per side.

Repeat on both sides of the Jeep.



**Step 1**



**Step 1**

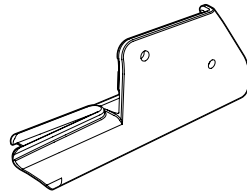
Fold the front portion of the fabric top back, to provide some free play in the cable.

**Step 2**

Locate the Left Cable Pocket #544.21 and slip the spring end of the Cable Spring through the Cable Pocket as shown.

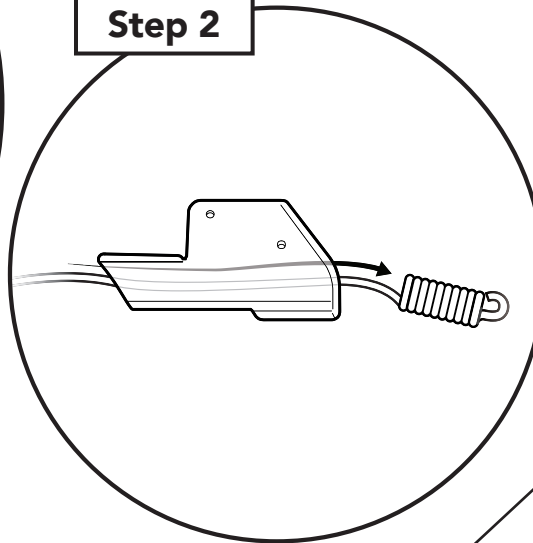
Slide the Cable Pocket back along the cable to get it out of the way.

**Hardware**

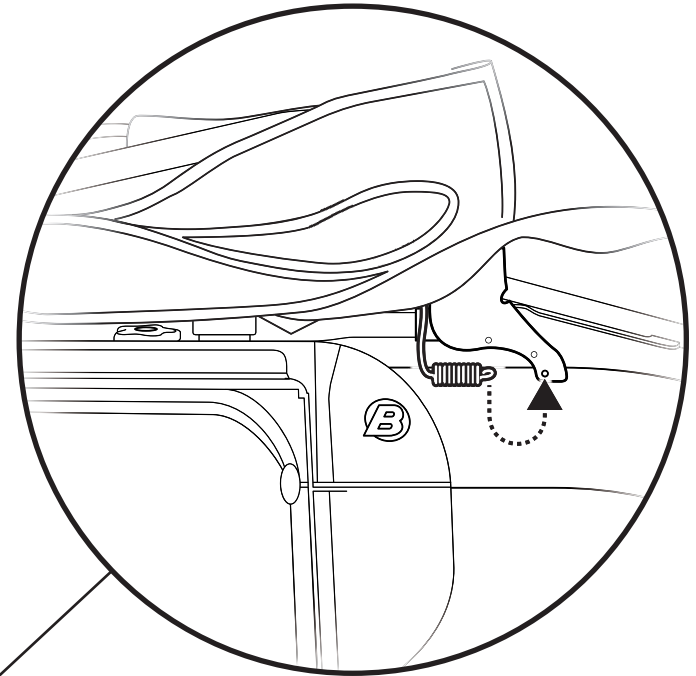


Cable Pockets  
#544.20 - Right  
#544.21 - Left

**Step 2**



**Step 3**



**Step 3**

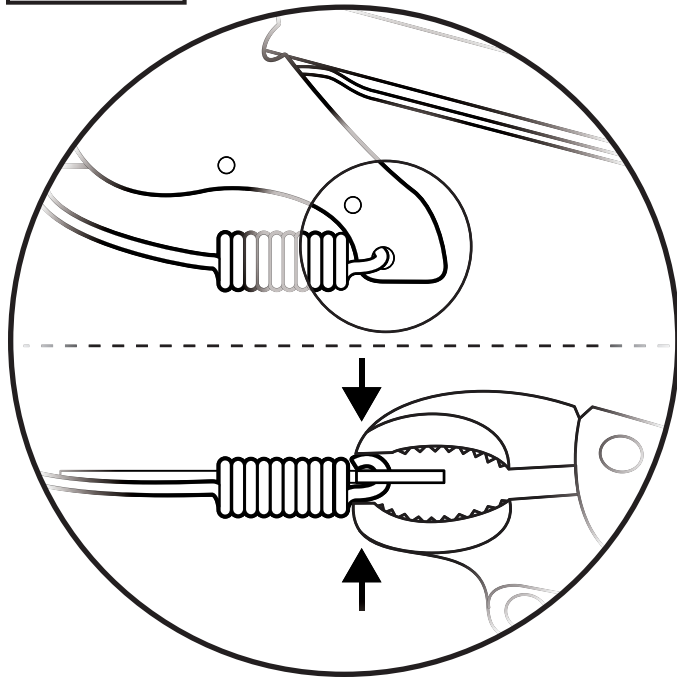
Attach the free end of the Cable Spring to the bottom hole in the #3 Bow corner plate, just behind the Rear Door Rail.

Repeat on both sides of the Jeep.





**Step 4**

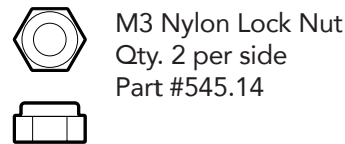
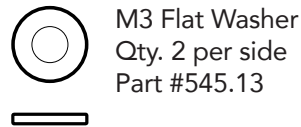
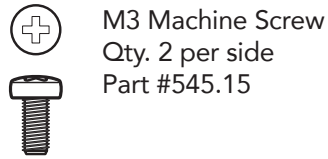


**Step 4**

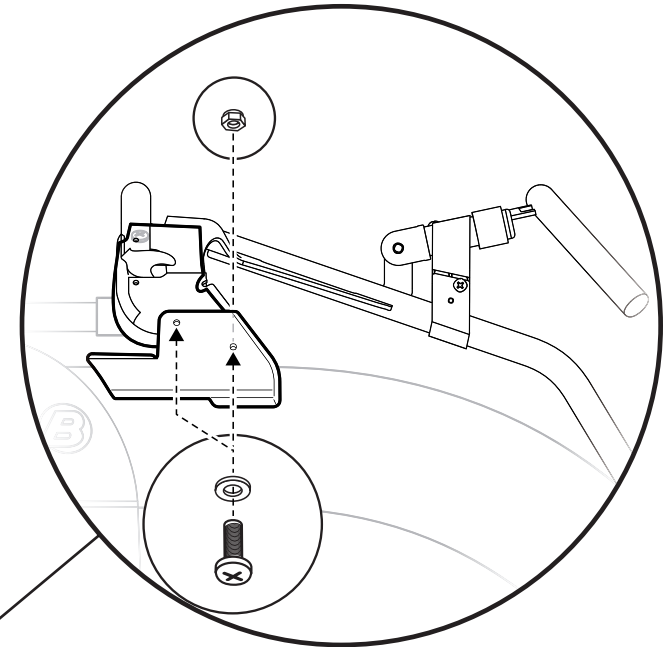
Crimp the end of the spring where it passes through the hole in the corner plate, to prevent it from coming loose.

Repeat on both sides of the Jeep.

**Hardware**



**Step 5**



**Step 5**

Slide the Cable Pocket back so that it covers the Cable Spring and the #3 Bow corner plate, and so that the holes in the Cable Pocket line up with the holes in the #3 Bow corner plate.

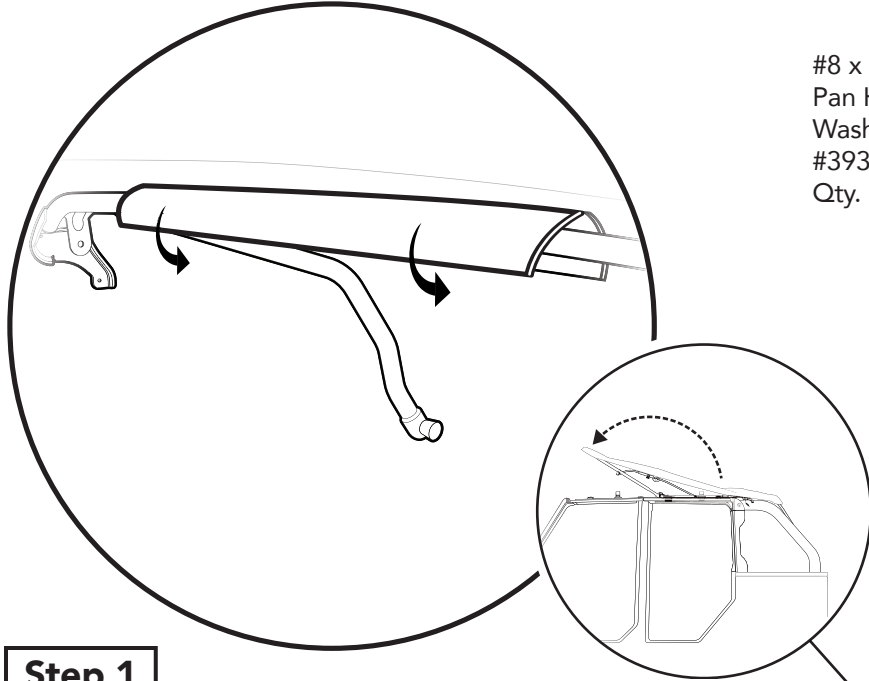
Attach the Cable Pocket to the #3 Bow corner plate with two (2) M3 Machine Screws #545.15, two (2) M3 Flat Washers #545.13, and two (2) M3 Nylon Lock Nuts #545.14.

NOTE: Washers and screws go on the outside of the Cable Pocket, nuts on the inside.

Repeat on both sides of the Jeep.



**Step 1** #3 Bow Flap

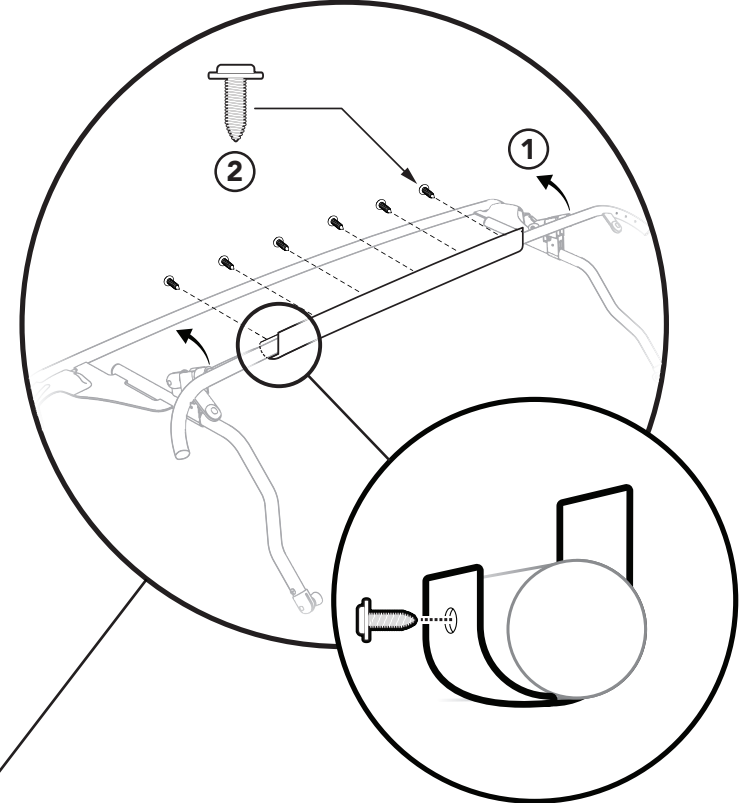


**Hardware**

#8 x 1/2"  
Pan Head  
Washer Screw  
#393.79  
Qty. 8



**Step 2** #4 Bow Flap



**Step 1**

Flip the Sunrider forward, but don't latch it to the windshield header.

From inside the Jeep, wrap the flaps located above the #3 Bow around the #3 Bow, and secure the hook & loop fabric together.

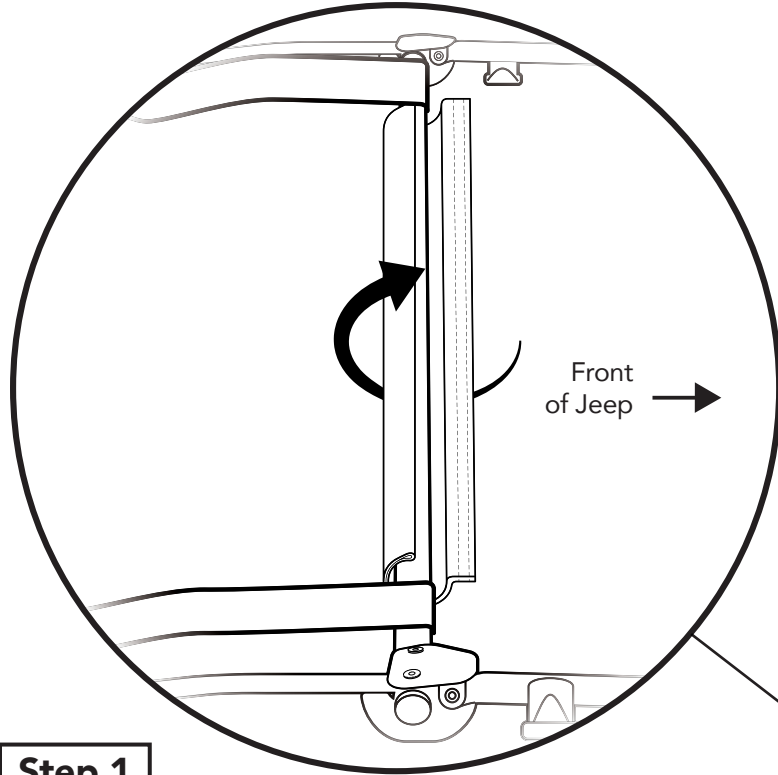
**Step 2**

- ① Release the #4 Bow from the Bow Stops, and flip it forward.
- ② From inside the Jeep, wrap the flaps located above the #4 Bow around the bottom of the #4 Bow, and secure to the front side of the #4 Bow using eight (8) #8 x 1/2" Pan Head Washer Screws #393.79.

Flip the #4 Bow back down and secure it in the Bow Stops.



**Step 1**



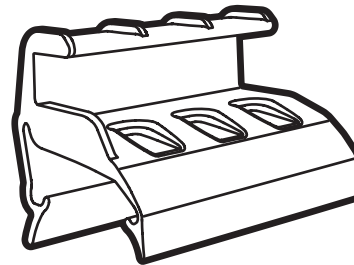
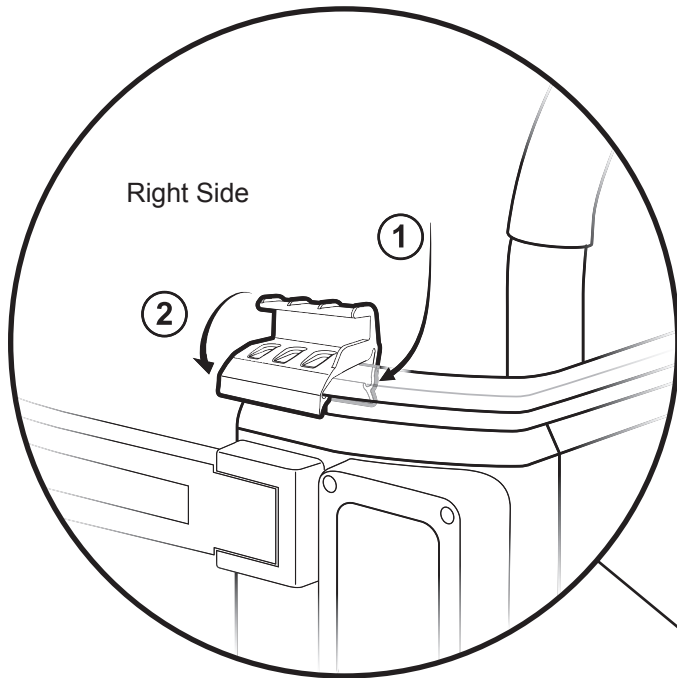
**Step 1**

From inside the Jeep, wrap the flaps located above the #2 Bow around the #2 Bow, and secure the hook & loop fabric together.

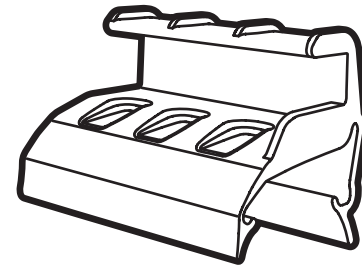


**Step 1** 539.56 539.57

**Hardware**



Tailgate Bar Mount - Left  
Qty. 1  
Part #539.57



Tailgate Bar Mount - Right  
Qty. 1  
Part #539.56

**Step 1**

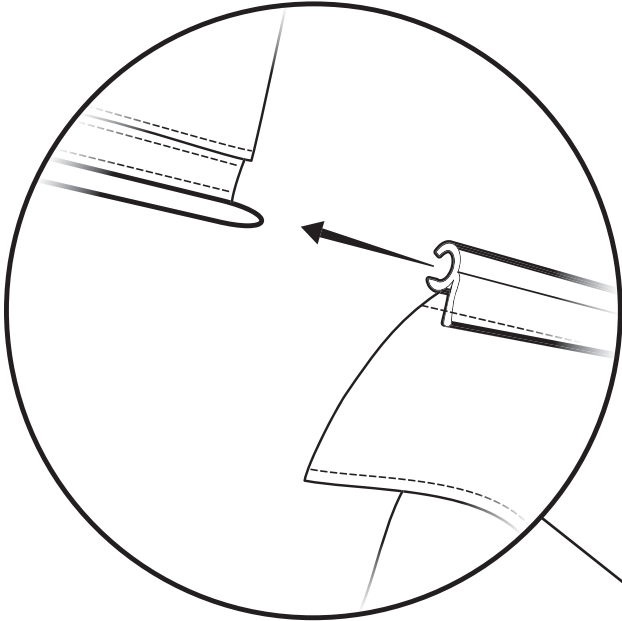
Locate the Left and Right Tailgate Bar Mounts #539.57 and #539.56.

Each mount snaps onto the Jeep belt rail just outboard of the tailgate opening.

Snap each Tailgate Bar Mount into place by ① hooking the inner catch portion of the mount under the belt rail on the inside, and then ② rolling the mount downward until it snaps into place under the bottom edge of the outside belt rail.



**Step 1** Quarter Windows

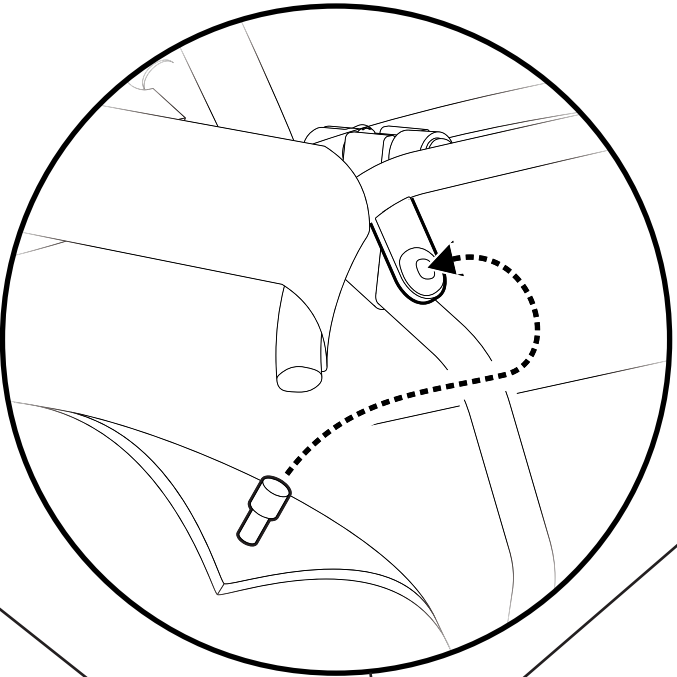


**Step 1**

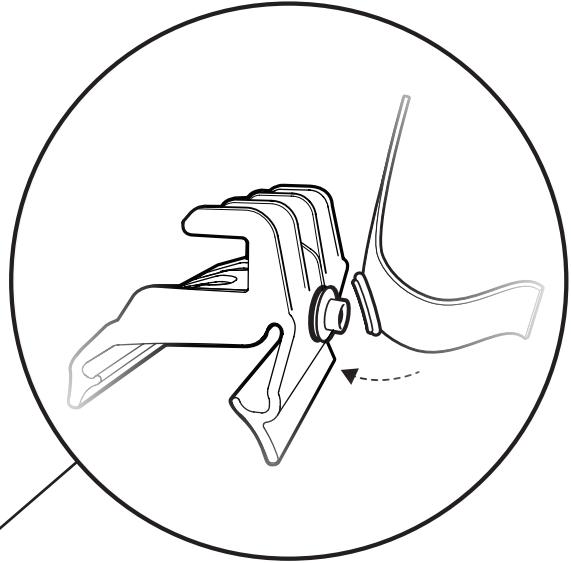
Locate the plastic channel along the lower edge of the top fabric.

Insert the tapered tip of the sewn-in plastic tube at the top edge of the Quarter Window into the open end of the rear of the channel sewn onto the bottom edge of the top fabric and slide the Quarter Window forward until it stops at the back of the Rear Door Rail.

**Step 2**



**Step 3**



**Step 2**

Fold back the top corner of the left Quarter Window and locate the Pin on the inside top corner of the Quarter Window.

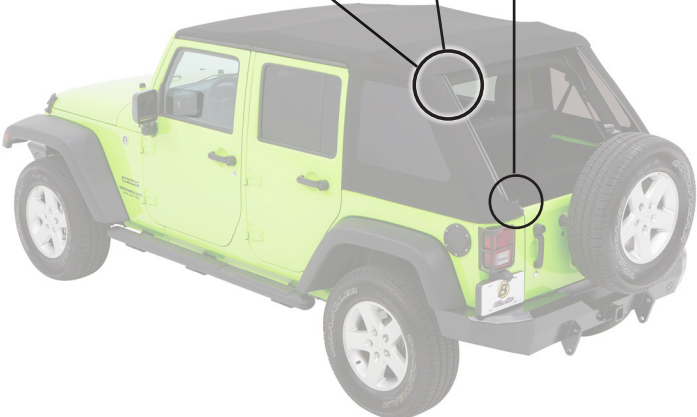
Insert this pin into the grommet on the tab at the left rear side of the #4 Bow.

Repeat on both Quarter Windows.

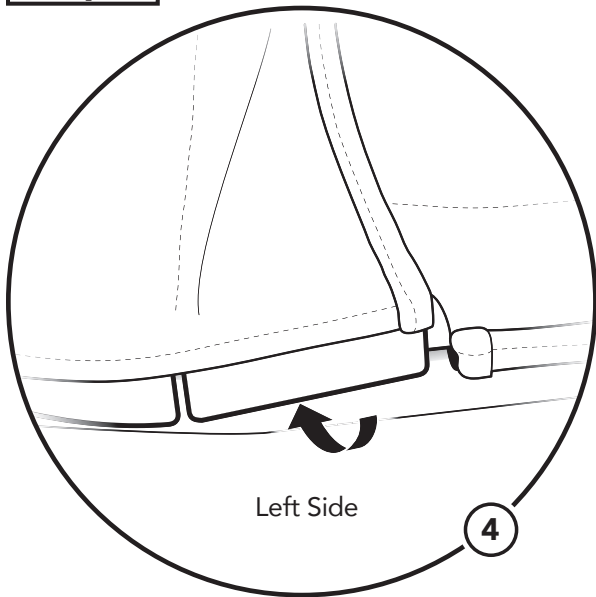
**Step 3**

Locate the straps with sewn-in snaps at the bottom inside corner of each Quarter Window.

Snap the end of each strap to the snap on the inside of each Tailgate Bar Mount.

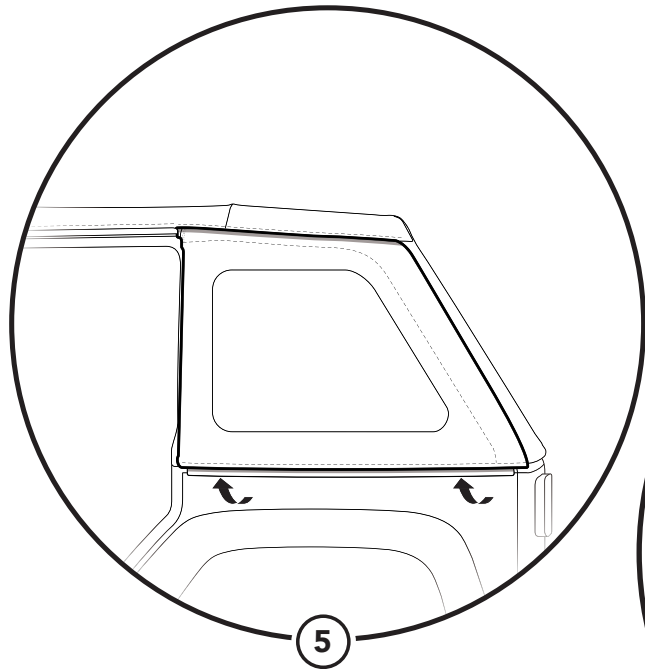


**Step 4**



Left Side

**Step 5**



**Step 4**

Tuck the plastic tabs at the bottom rear corner of the left Quarter Window under the Jeep belt rail, by rolling the tabs up underneath the belt rail.

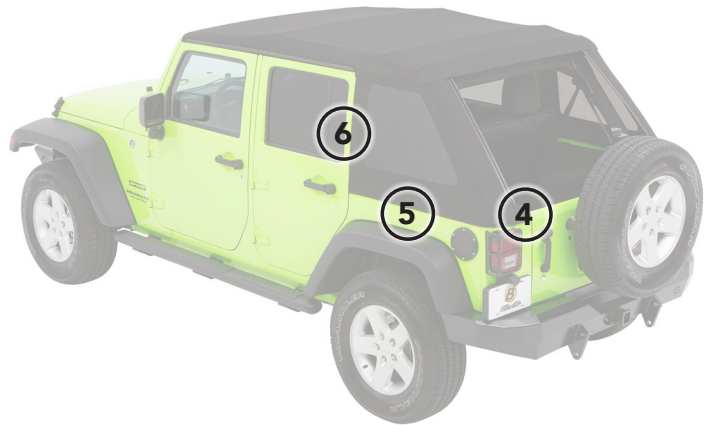
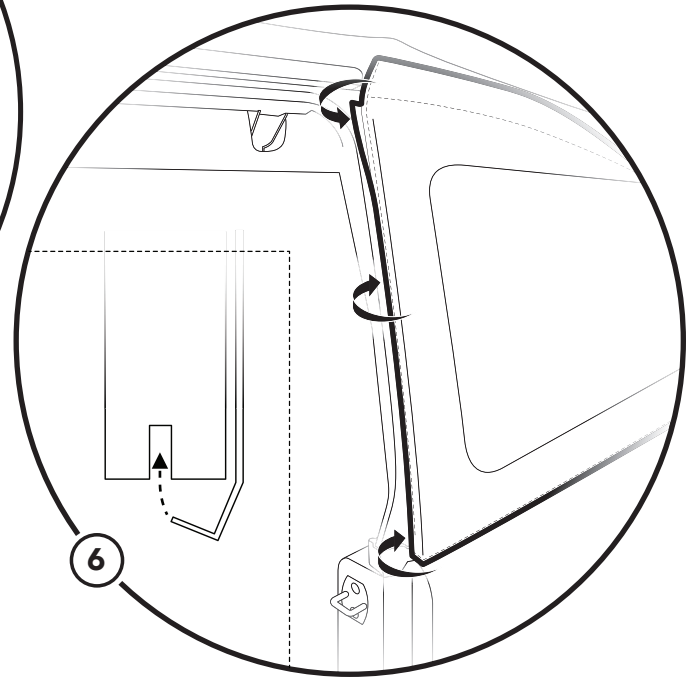
Repeat on the right Quarter Window.

**Step 5**

Tuck the plastic strip along the bottom edge of the left Quarter Window under the Jeep belt rail, by rolling it up underneath the belt rail, beginning at the rear, and working your way forward.

Repeat on the right Quarter Window.

**Step 6**

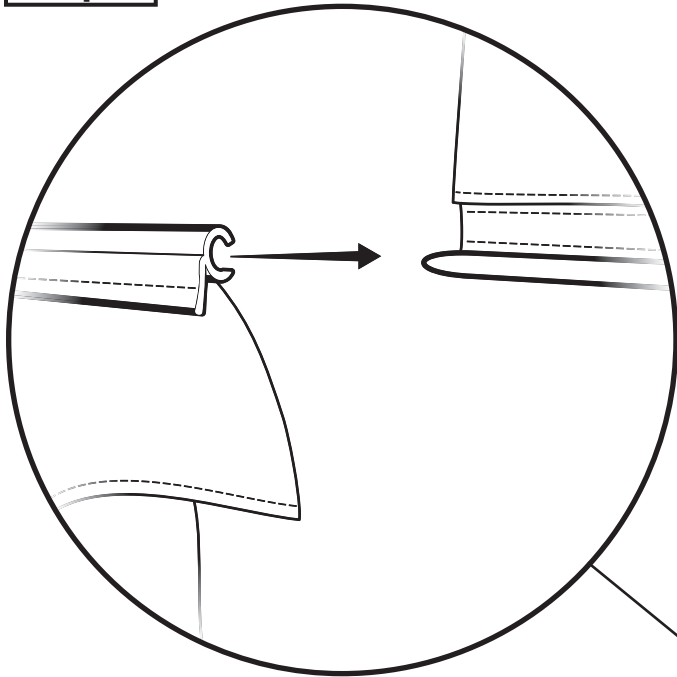


**Step 6**

Tuck the plastic angle strip along the front edge of the left Quarter Window into the vertical channel on the front of the Rear Door Rail. The plastic angle strip and attached fabric must be rolled into place in the channel.

Repeat on the right Quarter Window.

**Step 1**

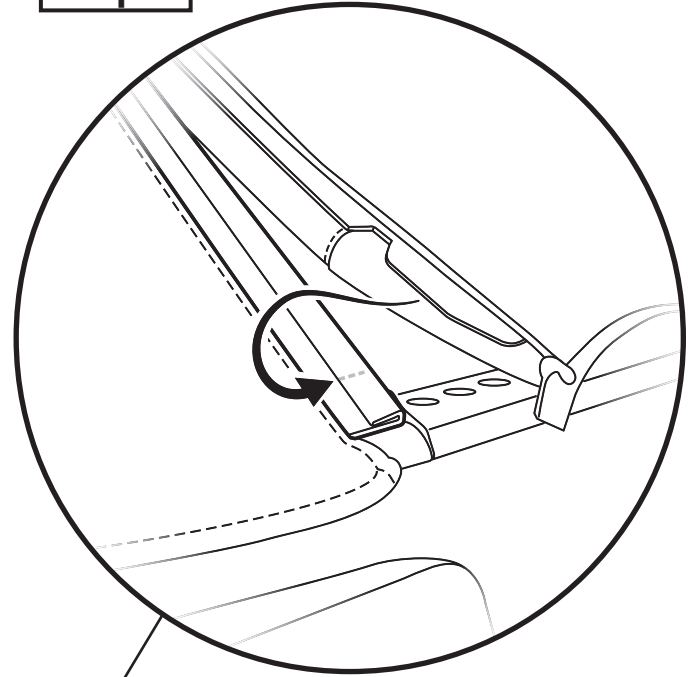


**Step 1**

Locate the plastic channel along the lower edge of the top fabric at the rear.

Insert the tapered tip of the sewn-in plastic tube on the top edge of the Rear Window into the open end of the channel at the back of the fabric top and slide the Quarter Window to the right until it meets the right end of the channel.

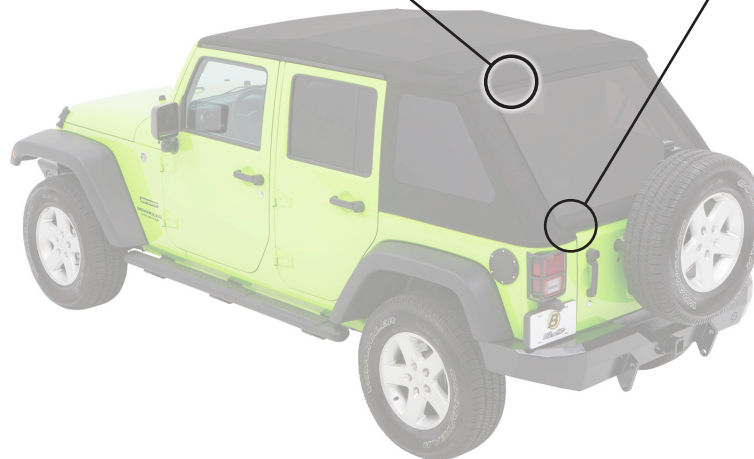
**Step 2**



**Step 2**

Locate the plastic channel along the rear inside edge of each Quarter Window.

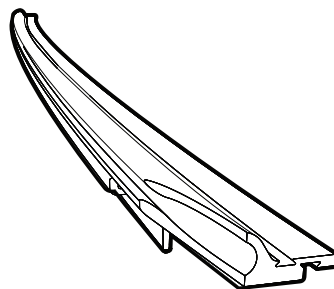
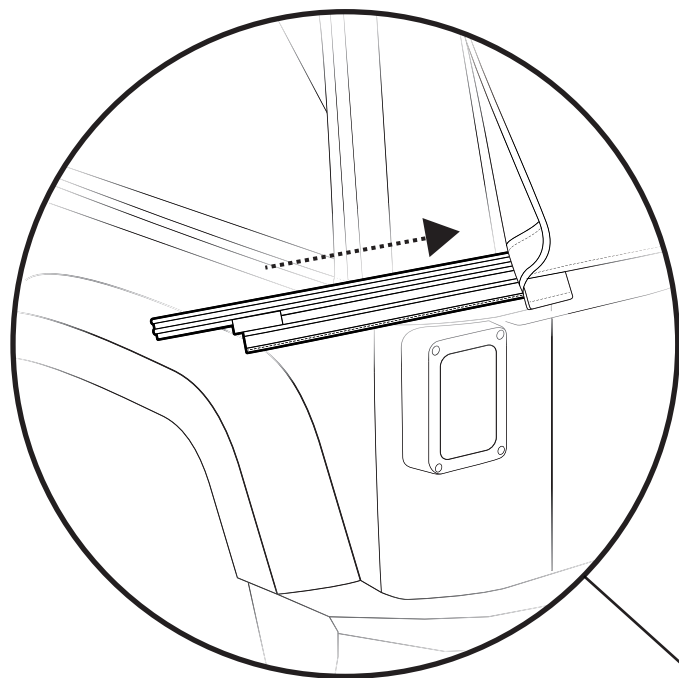
Roll the sewn-in plastic tab on the outside edge of the Rear Window into the open side of the channel, starting either at the top and working down, or at the bottom and working up.



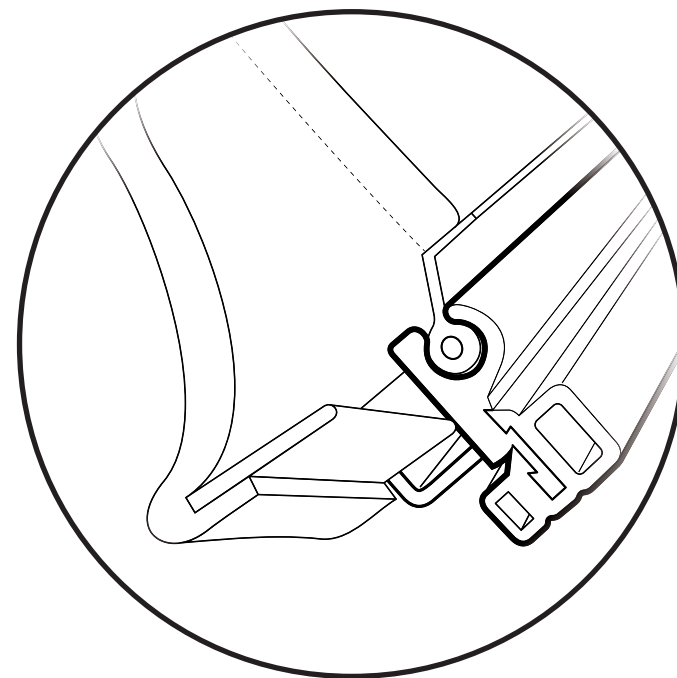
**Step 1** 538.76

**Hardware**

**Step 2**



Tailgate Bar  
Qty. 1  
Part #538.76

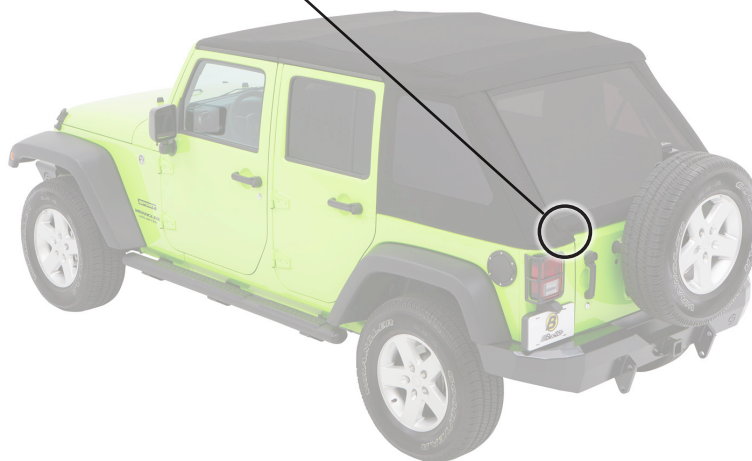


**Step 1**

Locate the Tailgate Bar, and slide it onto the tubing attached to the bottom inside of the Rear Window.

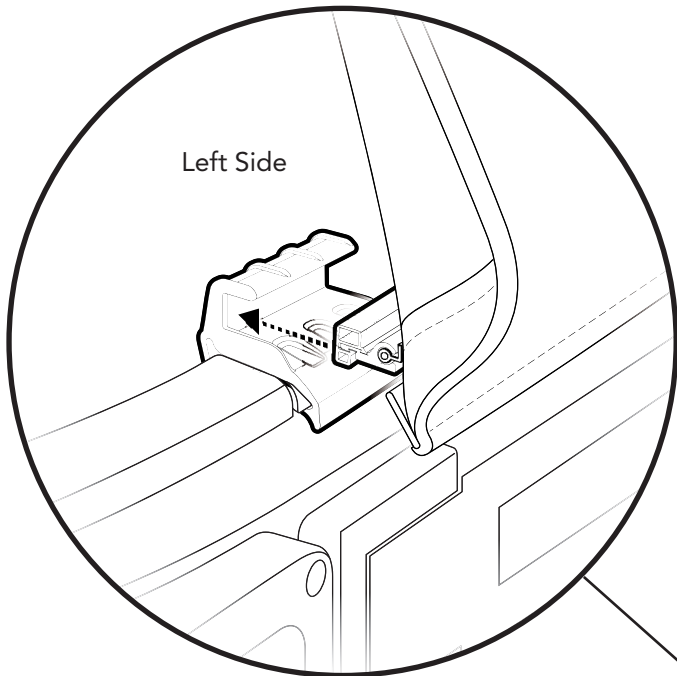
**Step 2**

The round channel on the side of the Tailgate Bar slides over the tubing.





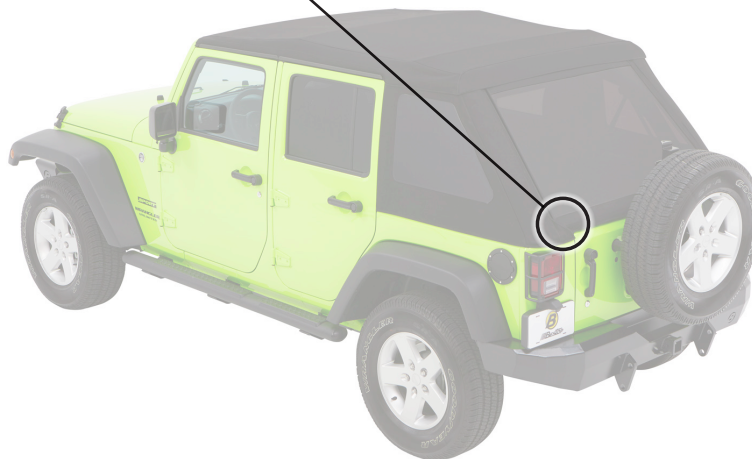
**Step 1**



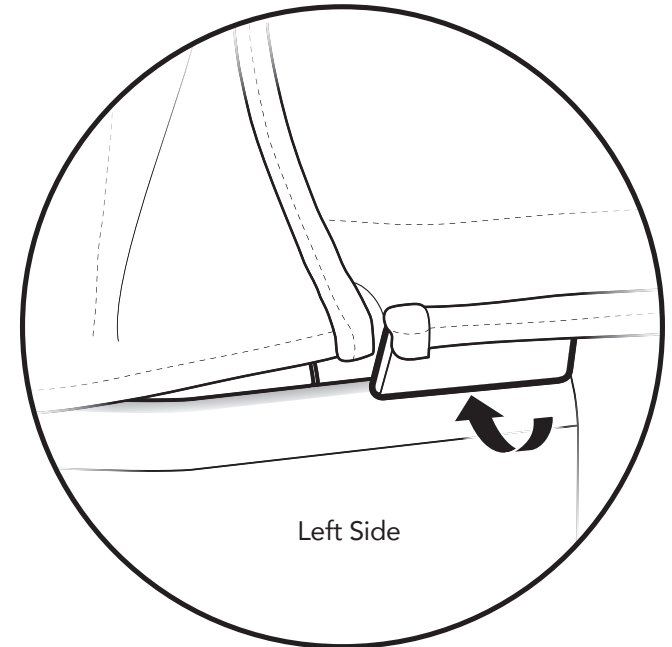
**Step 1**

Snap the front edge of the Tailgate Bar into the channel on each Tailgate Bar Mount.

Repeat for both sides of the tailgate.



**Step 2**

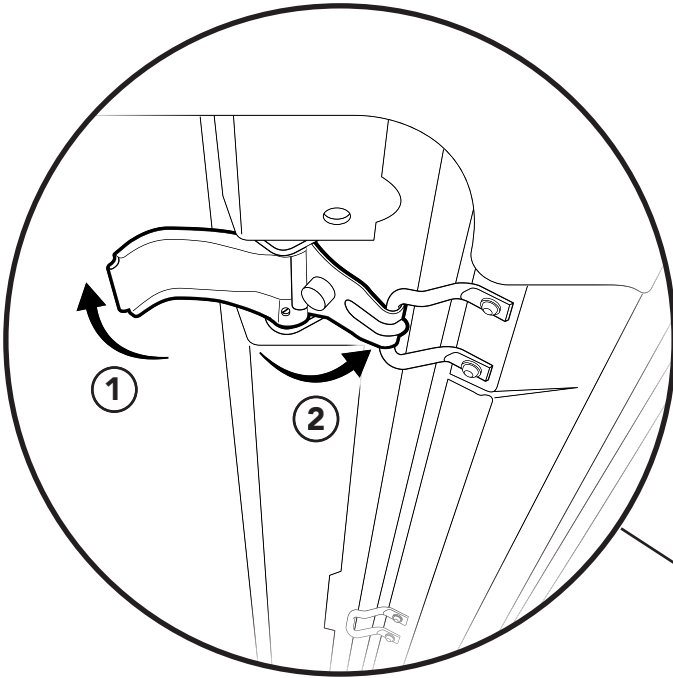


**Step 2**

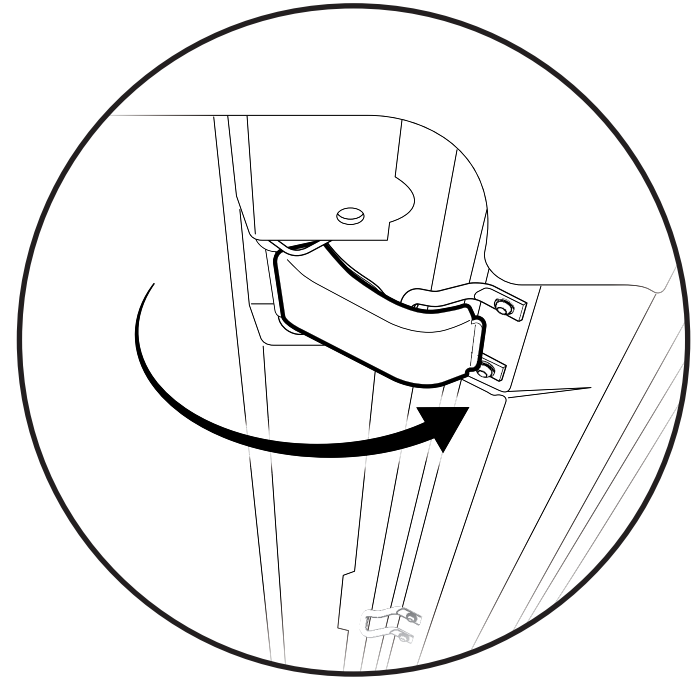
Tuck the plastic tab at the bottom right of the Rear Window under the Jeep belt rail, by rolling it up underneath the belt rail.

Repeat on the both sides of the Jeep.

Step 1



Step 2



Step 1

From inside the Jeep, locate the two Windshield Header Latches.

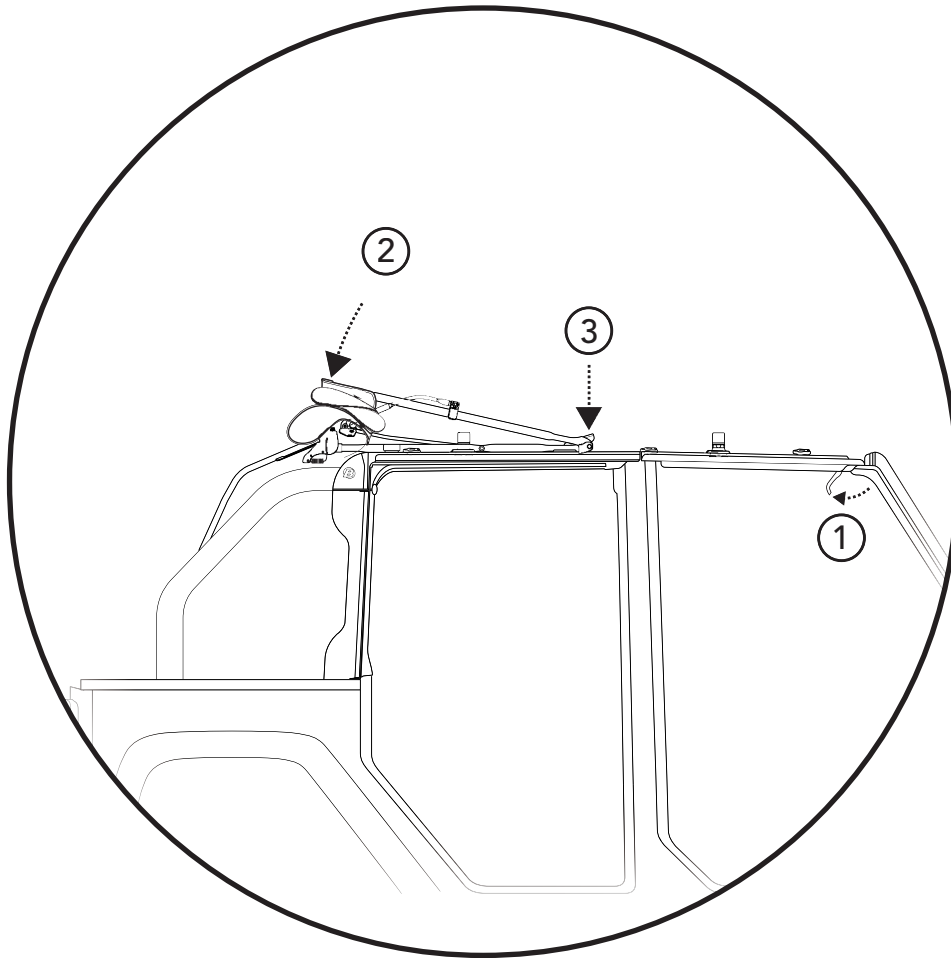
To close the latch, pivot the latch handle to the completely open position to allow the hook to engage the windshield loop. Now pivot the hook forward to engage the windshield loop.



Step 2

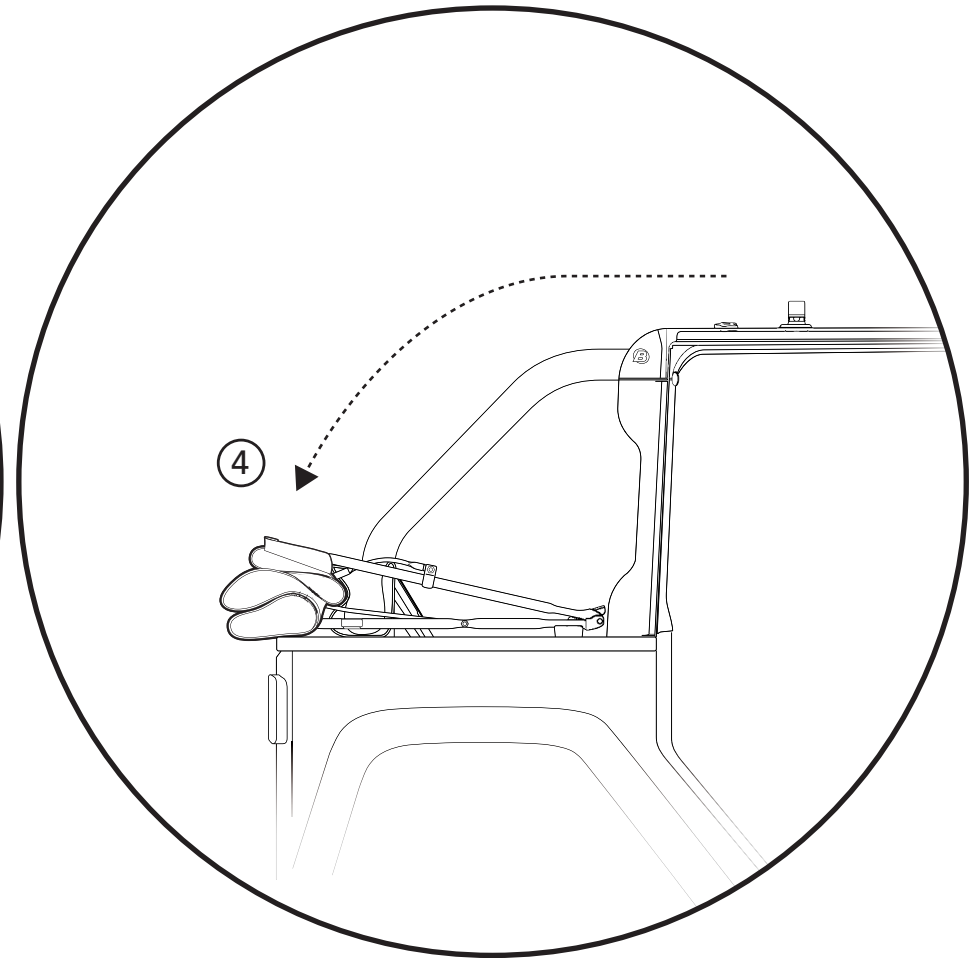
When the hook is engaged with the windshield loop, close the latch by pivoting it forward toward the windshield.

Step 1



Remove the Quarter Windows and the Rear Window, and stow in a secure place to avoid scratches.

Step 2



Release the windshield latches. Fold the front header back, keeping the fabric folded neatly. Push down on the spring catch lever to release the side bows. Release the #3 Bow from the Side Bows by pulling on the spring catch knobs, and disengage the #4 Bow from the Bow Stop.

Lift the fabric and bow assembly and swing it back to the rear of the Jeep, resting the entire assembly on the top edge of the Jeep belt rail. Wrap the fabric around the bows, and tuck the #3 and #4 Bows under the fabric. Tuck fabric in around the edges.



## Installation Instructions TREKTOP NX GLIDE 4-Door

Vehicle Application:  
Jeep® Wrangler JK Unlimited 2007-2018  
Part Number 54923

### WHAT BESTOP WARRANTS

Subject to the terms and conditions of sale, including any terms and conditions set forth by Bestop, Inc. (“Bestop” or “us” or “we”) in our then-current terms of sale on our website (collectively, the “Terms”), Bestop represents and warrants that: the covered products listed in the “Covered Products and Warranty Periods” section (a “Product”) will substantially be free from defects in materials and workmanship for the specified warranty periods set forth in that section.

### THE WARRANTY IS LIMITED AND CONDITIONAL

This warranty applies to the original purchaser of the Product only. The warranty is valid only as long as the original retail purchaser owns the vehicle upon which the Product is installed. The warranty expires should the Product be removed from the original vehicle or if the original vehicle is transferred to another owner.

This warranty is not transferable or assignable. The warranty does not apply to Product bought from auction-style or price-bid websites.

THE LIMITED WARRANTY AND STATED REMEDIES ARE SOLE AND EXCLUSIVE AND IN LIEU OF ALL OTHER WARRANTIES AND REMEDIES, AND COMPANY EXPRESSLY DISCLAIMS ALL IMPLIED OR STATUTORY OR OTHER WARRANTIES, INCLUDING WITHOUT LIMITATIONS WARRANTIES OF MERCHANTABILITY, NON-INFRINGEMENT OR FITNESS FOR A PARTICULAR PURPOSE. IN NO EVENT WILL COMPANY BE LIABLE FOR ANY SPECIAL, INCIDENTAL, CONSEQUENTIAL, PUNITIVE, INDIRECT OR EXEMPLARY DAMAGES OF ANY KIND, INCLUDING LOST PROFITS OR REVENUE, HOWEVER CAUSED, WHETHER FOR BREACH OR REPUDIATION OF CONTRACT, TORT, BREACH OF WARRANTY, NEGLIGENCE, OR OTHERWISE, WHETHER OR NOT COMPANY WAS ADVISED OF THE POSSIBILITY OF SUCH LOSS OR DAMAGES.

*Some states do not allow exclusion or limitation, so this may not apply to you. This warranty gives you specific legal rights, and you may have other rights which vary from state to state.*

### EXCLUSIONS TO THE WARRANTY

The Limited Warranty excludes, and Bestop is not liable in any way for any warranty claims, damages, or defects related to:

- Misuse, abuse, accidents, vandalism, negligence, fire, or improper installation or modification, or improper or inadequate maintenance;
- Failure to comply with any Product documentation, Bestop instructions, or applicable law or regulations; use in extreme conditions
- Force Majeure including but not limited to, earthquake, hurricane, tornado, flooding, or other disasters natural or man-made, civil unrest, strikes, declared or undeclared war, or lack of performance by, or discontinued product of, supply chain partners whose products, software, operations or management is beyond the control of Bestop;
- Damage resulting in breakage (including without limitation, spontaneous breakage, accidental breakage or breakage by any other means) of a Product or any component part;
- Damage to vinyl windows due to misuse, or cracking due to varying weather conditions.

### YOUR SOLE REMEDY

During the applicable warranty period, Bestop shall, at its option, either repair or replace any Product that it confirms, in its discretion, is non-compliant with the warranties herein. Bestop will not pay for labor charges associated with installation or removal of the Product. Should a specific Product be discontinued, Bestop may, at its option, replace the discontinued Product with a current product or like product.

Please retain your proof of purchase. Original proof of purchase for the Product must accompany any warranty claim. If you have a warranty claim, first you must email Bestop Customer Service at [csbestop@bestop.com](mailto:csbestop@bestop.com) for instructions. All claims must be emailed to [csbestop@bestop.com](mailto:csbestop@bestop.com) within 30 days of discovery of a defective Product, but in no event later than thirty days after the end of the applicable Warranty Period (the “Warranty Notice Period”). Warranty claims made after the Warranty Notice Period are null and void and Bestop shall have no responsibility with respect to such claims.

THIS SECTION SETS FORTH BESTOP’S SOLE OBLIGATION & YOUR SOLE REMEDY WITH RESPECT TO ANY DEFECTS OR OTHER PRODUCT ISSUE. ANY PRODUCTS REPLACED UNDER TERMS OF THIS WARRANTY WILL BE COVERED UNDER TERMS & BALANCE OF THE DURATION OF THE ORIGINAL LIMITED WARRANTY FOR SUCH PRODUCT.



## Installation Instructions TREKTOP NX GLIDE 4-Door

Vehicle Application:  
Jeep® Wrangler JK Unlimited 2007-2018  
Part Number 54923

**COVERED PRODUCTS AND WARRANTY PERIODS:** The warranty time periods are as follows for Products manufactured by Bestop:

### **BESTOP® LIMITED LIFETIME WARRANTY**

Trektop® Pro Twill Fabric Top Sunrider® for Hardtop Twill Fabric Top  
Trektop® NX Glide Twill Fabric Top Replace-a-Top™ Twill Fabric Top  
Trektop® NX Twill Fabric Top Supertop® NX Twill Fabric Top  
EZFold™ Soft Tonneaus Floor & Cargo Liners  
ZipRail™ Soft Tonneaus Pet Barriers  
EZRoll™ Soft Tonneaus

### **BESTOP® 5-YEAR LIMITED WARRANTY**

Trektop® NX Glide™ Top (non-Twill) Sunrider® for Hardtop (non-Twill) Replace-a-Top™ Top (non-Twill) Trektop® NX Top (non-Twill)  
Sailcloth Replace-a-Top™ Supertop® NX Top (non-Twill)  
Tigertop™ and Halftop™ Supertop® Classic Soft Top Sunrider® Complete Soft Top Supertop® for Truck  
EZ Fold Hard Tonneau

### **BESTOP® 3-YEAR/100K MILES LIMITED WARRANTY**

Powerboard® & Powerboard® NX  
Trekstep®, Side Mount  
Trekstep®, Rear Mount

### **BESTOP® 3-YEAR LIMITED WARRANTY**

Pavement Ends Sprint Top

### **BESTOP® 2-YEAR LIMITED WARRANTY**

Trektop® Classic Soft Top  
RoughRider™ Soft Storage

### **BESTOP® 1-YEAR LIMITED WARRANTY**

All other Bestop® & Pavement Ends™ products not specified above.

**For further information or request for warranty work, please contact:**

**Bestop Inc. Customer Service**  
**Toll-Free: (800)845-3567**  
**Main: (303)465-1755**  
**E-mail: [csbestop@Bestop.com](mailto:csbestop@Bestop.com)**  
**Website: [www.Bestop.com](http://www.Bestop.com)**