



# YOSHIMURA

RESEARCH&DEVELOPMENT OF AMERICA, INC.

5420 DANIELS STREET STE A, CHINO CA., 91710 · (800)634-9166 · (909)628-4722 · FACSIMILE (909)591-2198

[www.yoshimura-rd.com](http://www.yoshimura-rd.com)

## **RS3C PERFORMANCE DUAL EXHAUST SYSTEM**

**KTM**

**2005-2009**

**SuperDuke 990**

**15252522**

RS3C DUAL SLIP-ON SYSTEM WITH CARBON FIBER SLEEVE

**15252572**

RS3C DUAL SLIP-ON SYSTEM WITH TITANIUM SLEEVE



**THIS PRODUCT IS DESIGNED FOR USE IN CLOSED COURSE RACING AND IS NOT INTENDED FOR HIGHWAY USE.**



NOTE: IN THE STATE OF CALIFORNIA, IT IS ILLEGAL TO MODIFY THE EMISSION CONTROL SYSTEM, WHICH INCLUDES THE FUEL INJECTION OF ANY VEHICLE.

**Caution:** Exhaust system can be extremely hot. Let motorcycle cool down before beginning installation. Always wear hand and eye protection and take precautionary measures to avoid injury.

**Note:** Read through all instructions before beginning installation.

## Tools Needed:

Socket Wrench Set  
Torque Wrench  
Hex Key Set  
Spring Puller (Included)

## Installation Steps:

- 1 Remove stock seat using key.
- 2 Remove both side tail covers by removing bolts and screws indicated in Figure 1.

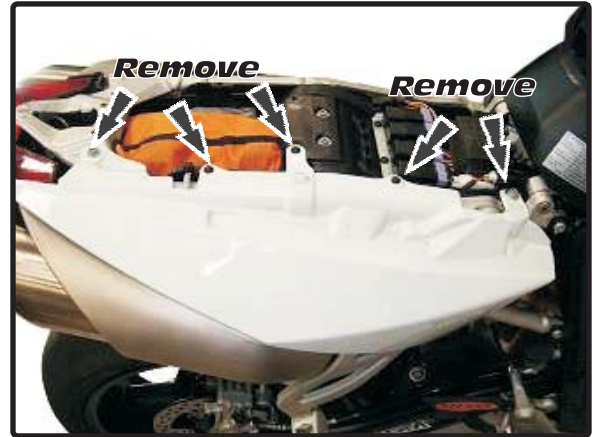


Fig. 1

- 3 Remove stock muffler

- Remove bolts mounting stock muffler to subframe (Fig. 2).
- Loosen clamp holding muffler tailpipe to exhaust header (Fig. 3).
- Remove stock muffler from bike.
- Remove rubber inserts in subframe.

**NOTE:** The Yoshimura tailpipes are designed to be installed onto the stock header with no gaskets.

- 4 Install Yoshimura Tailpipe and Mufflers

- Temporarily remove muffler springs between tailpipe and mufflers to ease installation.
- Install Yoshimura Tailpipe and Muffler assembly onto stock header and secure using stock exhaust clamp. Do not tighten at this time.
- Install rubber insulators and muffler clamps onto Yoshimura mufflers.
- Install the muffler brackets and inserts into the opening for the stock muffler hanger (Fig. 4) as shown in parts diagram.
- Using stock hardware and supplied washer, secure tailpipe brackets to subframe. Washer will be mounted between tailpipe bracket and subframe.
- Check clearance and orientation of mufflers and tailpipe to make sure they are level and directed towards the rear of the bike.



Fig. 2



Fig. 3

- Tighten muffler hanger clamps and brackets to 15 ft-lbs ( 21 N-m).
- Tighten tailpipe to subframe mount to 15 ft-lbs ( 21 N-m ).
- Re-install muffler springs between mufflers and tailpipe.
- Tighten exhaust clamp to 15 ft-lbs ( 21 N-m ).

**5 Re-install Side Covers and Seat**

- Re-install side covers and bolts.
- Re-install seat.

**6 It is recommended that the muffler and tailpipe be wiped down with rubbing alcohol to remove oil and fingerprints. This will help prevent tarnishing of the finish after the exhaust is heated up.**

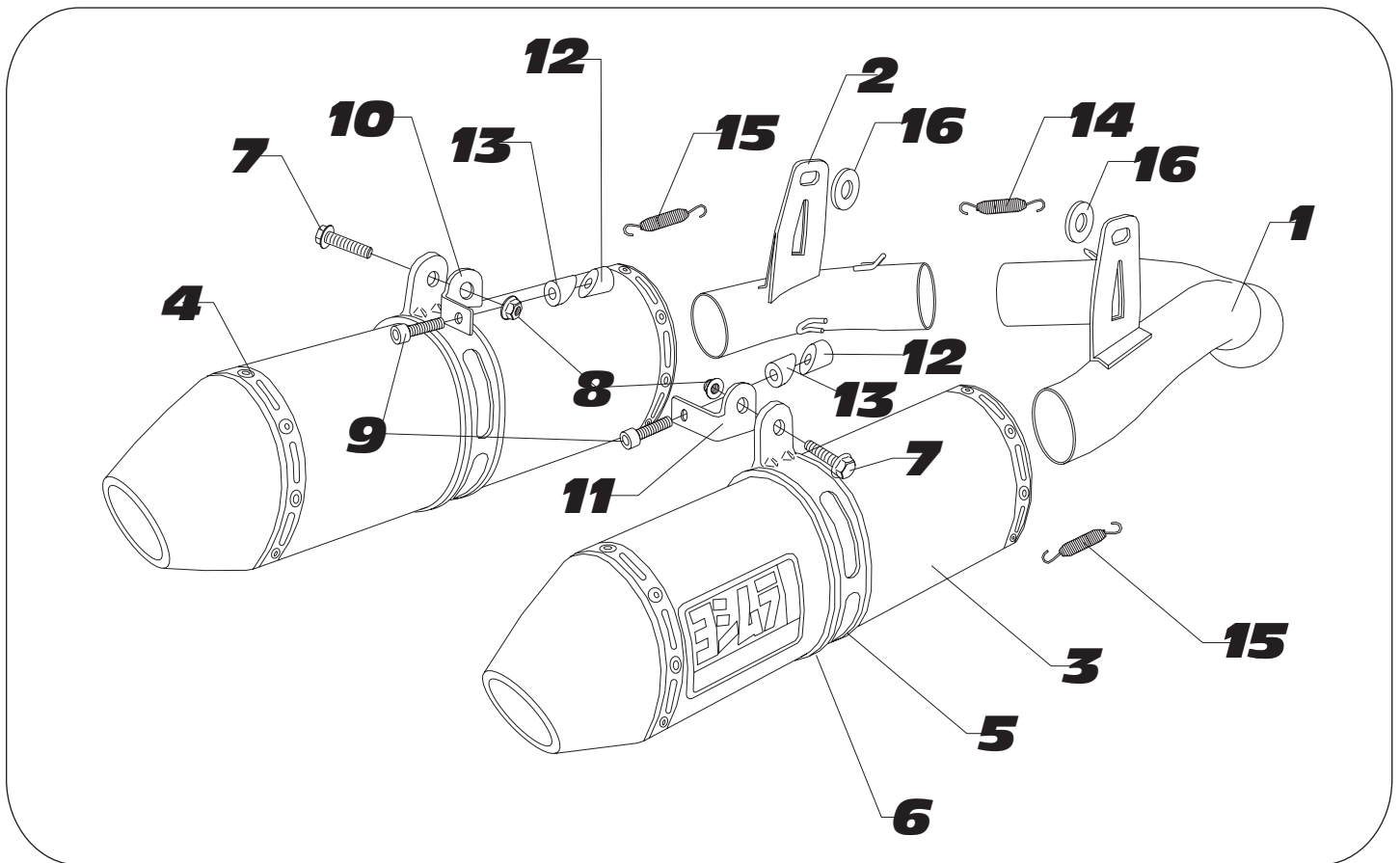
**7 Check for proper clearance between new exhaust system and motorcycle (i.e. swing-arm, body work, etc.). If any problem is found, please carefully follow through the installation steps again. If problem still persists, please call Yoshimura technical department at (800)634-9166 / in CA (909)628-4722.**

**NOTE: After starting motorcycle, it is normal for a new exhaust system and muffler to smoke until oil residue burns off.**



**Fig. 4**

**PN: 15252522, 15252572**



Parts Diagram

NO.	DESCRIPTION	QTY	PART #
1	Yoshimura Race Slip-On Tailpipe (Left)	1	1525-435-00
2	Yoshimura Race Slip-On Tailpipe (Right)		
3	RS3C Muffler Assembly (Right) with Carbon Fiber Sleeve with Titanium Sleeve	1	15252522-RMA 15252572-RMA
4	RS3C Muffler Assembly (Left) with Carbon Fiber Sleeve with Titanium Sleeve	1	15252522-LMA 15252572-LMA
5	RS3/C Muffler Clamp For Titanium Muffler Sleeve For Carbon Fiber Muffler Sleeve	2	COS450S8AL COS450S8ALX
6	Muffler Insulator	2	HT SHLDR77
7	8mm x 16mm Flanged Hex Head Bolt	2	M8X16H
8	8mm Flange Nut	2	8MMNUT
9	8mm x 30mm Socket Head Bolt	2	M8X30
10	Muffler Bracket (Left)	1	1525-BRKT-L-00
11	Muffler Bracket (Right)	1	1525-BRKT-R-00
12	Muffler Bracket Insert (Threaded)	2	M8LC-00
13	Muffler Bracket Insert (Through Hole)		
14	Muffler Spring, Medium	1	RACE-SPS-1
15	Muffler Spring, Small	2	RACE-SPX-1
16	8mm Washer, Large	2	8MMWASHERL
**	Yoshimura Quiet Insert	2	INS-15-K
**	Spring Hook Puller	1	ST-200
**	Yoshimura Vinyl Sticker	1	17029