



YOSHIMURA

RESEARCH&DEVELOPMENT OF AMERICA, INC.

5420 DANIELS STREET STE A, CHINO CA., 91710 · (800)634-9166 · (909)628-4722 · FACSIMILE (909)591-2198

www.yoshimura-rd.com

YOSHIMURA PERFORMANCE EXHAUST SYSTEM

**2006-2013
YAMAHA
R6**

1362272	TRC SLIP-ON SYSTEM WITH CARBON FIBER SLEEVE
1362275	TRC SLIP-ON SYSTEM WITH STAINLESS SLEEVE
1362277	TRC SLIP-ON SYSTEM WITH TITANIUM SLEEVE



THIS PRODUCT IS DESIGNED FOR USE IN CLOSED COURSE RACING AND IS NOT INTENDED FOR HIGHWAY USE.



NOTE: IN THE STATE OF CALIFORNIA, IT IS ILLEGAL TO MODIFY THE EMISSION CONTROL SYSTEM. WHICH INCLUDES THE CARBURETORS OF ANY VEHICLE.

Caution: Exhaust system can be extremely hot. Let motorcycle cool down before beginning installation.

Note: Read through all instructions before beginning installation.

Tools Needed:

11 and 12mm socket
3/8" ratchet and extension
10mm wrench
4mm, 5mm, and 6mm allen wrench
Torque wrench

Installation Steps:

- 1 Remove right side fairing.
- 2 Remove black cover that hides the exhaust valve (see Fig. 1).
- 3 Disconnect and remove the exhaust valve cables (see Fig. 2 and refer to your service manual for complete removal instructions).

NOTE: Do not unplug servo motor. Unplugging the servo motor may cause the bike to run in a power limited fail safe mode.

- 4 Remove stock muffler by removing stock muffler mount bolt and loosening stock exhaust clamp (see Fig. 2).

Note: For 2010-11 models, removal of tailpipe ring and gasket may be necessary.

- 5 Slide supplied collector clamp over inlet of Yoshimura TRC muffler and install TRC muffler using the stock bolt and washer (see Parts Diagram on page 3).
- 6 Torque muffler mount bolt to 2.3 kgf-m (16.5 lb-ft).
- 7 Torque supplied collector clamp to 1.1 kgf-m (8 lb-ft).
- 8 Reinstall right side fairing.
- 9 It is recommended that the muffler be wiped down with rubbing alcohol to remove oil and fingerprints. This will help prevent tarnishing of the finish after the exhaust is heated up.
- 10 Check for proper clearance between new exhaust system and motorcycle. (i.e. Swing-arm, body work, etc.) If any problem is found, please carefully follow through the installation steps again. If problem still persists, please call Yoshimura technical department at (800)634-9166 / in CA (909)628-4722.

Note: After starting motorcycle, it is normal for new exhaust system to smoke until oil residue burns off.

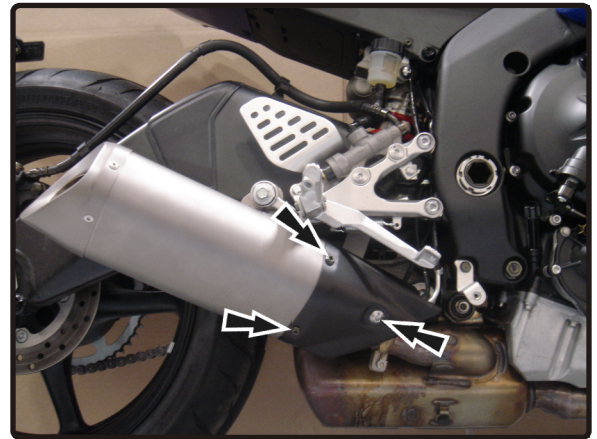


Fig. 1

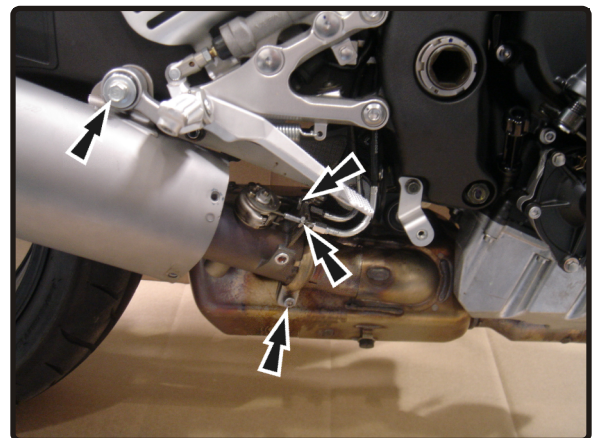
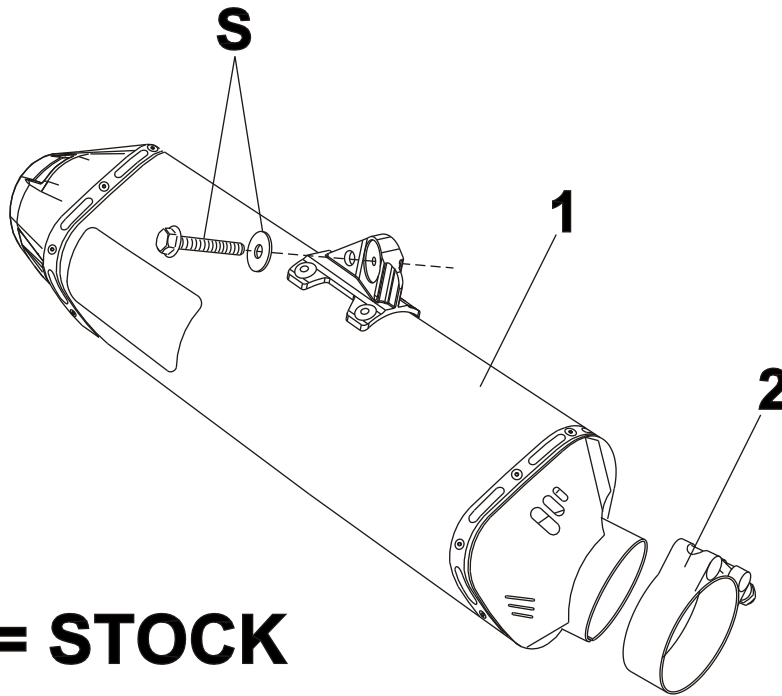


Fig. 2

#136227(2,5,7)



Parts Diagram

NO.	DESCRIPTION	QTY	PART #
1	Yoshimura Slip-On Muffler with Carbon Fiber Sleeve with Stainless Steel Sleeve with Titanium Sleeve	1	1362272-RMA 1362275-RMA 1362277-RMA
2	Exhaust Collector Clamp	1	22059
**	Yoshimura Vinyl Sticker	1	17029