



**INSTALLATION INSTRUCTIONS FOR
1994-2001 DODGE RAM 1500, 2500 AND 3500 4X4's
AND 2002-2008 DODGE RAM 2500 AND 3500 4X4's
2" SUSPENSION LIFT KIT
PART NUMBER 702**

WARNING!!! READ AND UNDERSTAND ALL INSTRUCTIONS BEFORE PROCEEDING. MAKE SURE THAT YOU HAVE ALL TOOLS AND PARTS BEFORE BEGINNING THE INSTALLATION.

SPECIAL TOOLS REQUIRED: SPRING COMPRESSOR (OR EQUIVALENT)

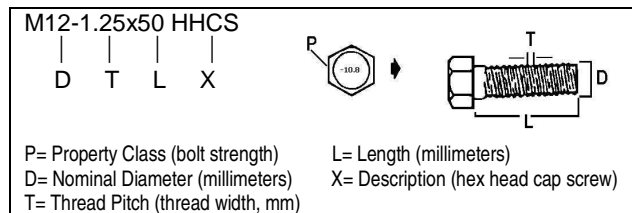
REVTEK INDUSTRIES RECOMMENDS THAT RED LOCTITE BE USED ON ALL FASTENERS UNLESS OTHERWISE NOTED. IT IS ALSO RECOMMENDED THAT THE FRONT END ALIGNMENT BE CHECKED AFTER INSTALLATION.

KIT CONTENTS INCLUDE:

- Instructions including parts list
- Product Safety Label (orange)
- Window decal
- Warranty

TORQUE SPECIFICATIONS – METRIC SYSTEM

Bolt Size	Class 9.8	Class 10.9	Class 12.9
M6	5 ft. lbs.	9 ft. lbs.	12 ft. lbs.
M8	18 ft. lbs.	23 ft. lbs.	27 ft. lbs.
M10 STUD	10 ft. lbs.	10 ft. lbs.	10 ft. lbs.
M12	55 ft. lbs.	75 ft. lbs.	90 ft. lbs.
M14	85 ft. lbs.	120 ft. lbs.	145 ft. lbs.
M16	130 ft. lbs.	165 ft. lbs.	210 ft. lbs.
M18	170 ft. lbs.	240 ft. lbs.	290 ft. lbs.



PARTS LIST INCLUDED IN KIT

<u>PART DESCRIPTION</u>	<u>PART #</u>	<u>QTY.</u>
COIL SPACER	D2LS	2
M10 STUDS	D101550HS	6

**PRODUCT SAFETY LABEL MUST BE INSTALLED INSIDE CAB
IN PLAIN VIEW OF ALL OCCUPANTS.**

**REVTEK INDUSTRIES
INSTALLATION INSTRUCTIONS FOR
2" DODGE RAM 4X4 SUSPENSION LIFT KIT
PART NUMBER 702**



Figure A

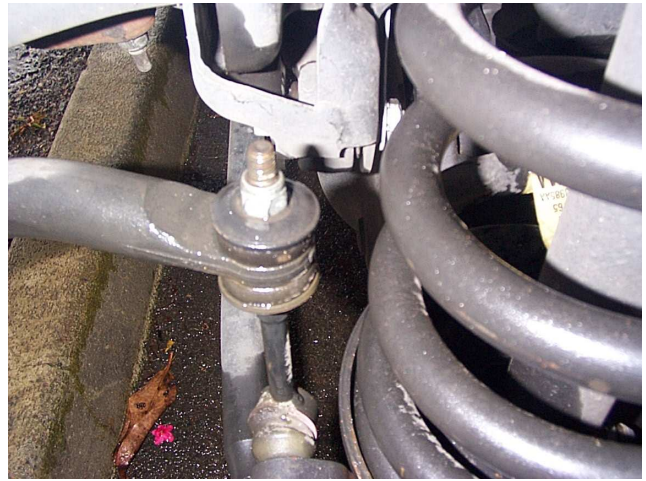


Figure D



Figure B

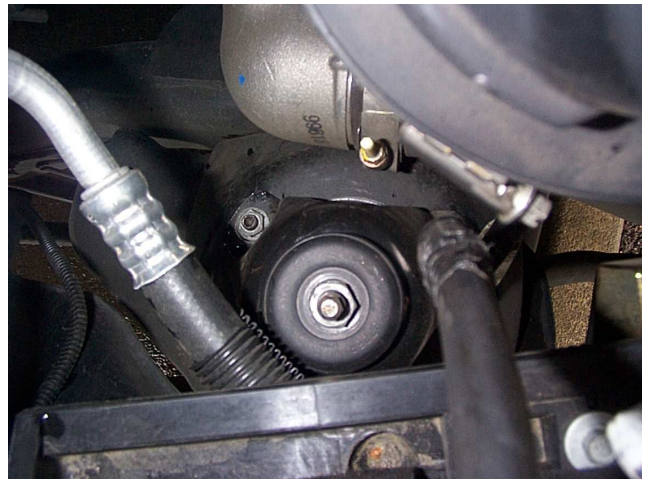


Figure E

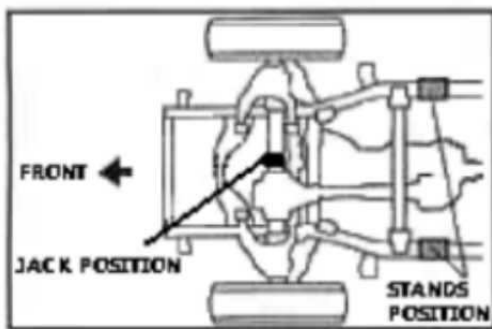


Figure C



Figure F

**REVTEK INDUSTRIES
INSTALLATION INSTRUCTIONS FOR
2" DODGE RAM 4X4 SUSPENSION LIFT KIT
PART NUMBER 702**

FRONT OF VEHICLE

1. Park vehicle on level concrete surface.
2. Center and lock the steering wheel.
3. Block the rear wheels of the vehicle to prevent vehicle from moving in either direction.
4. Remove the upper track bar bolt using an 18mm socket and save bolt for later reinstall. See Figure A.
5. Remove the lower front shock bolts using a 21mm socket on both sides of the vehicle. Save bolt for later reinstall. See Figure B.
6. Raise the vehicle from the lift point in Figure C.
7. Support the vehicle with jack stands from the points in Figure C.
8. Remove the front wheels.
9. Remove the nut, using a 16mm socket, and the hardware from the anti-sway bar. See Figure D.
10. Remove the upper front shock nut (using a 17mm socket), washer, and isolator on both sides of the truck. Save for later reinstall. See Figure E.
11. Remove the three nuts (15mm) from the top of the shock tower. See Figure F. Save for reinstallation.
12. Remove the shock from the vehicle.
13. Using the floor jack supporting from lift point "C," lower the front axle to full droop.
14. Doing one side at a time, remove the front drivers coil spring and isolator. Discard circular steel ring with three studs. Save isolator for reinstall.
15. Install three new heat-treated socket head studs into new 2" spacer using loctite and a 5mm Allen wrench.
16. Install factory isolator into new spacer using a soft face hammer.
17. Install spacer into coil tower and hand start 15mm nut to hold it in place.
18. Using a spring compressor, compress spring and reinstall into truck.
19. Repeat steps 14 to 18 for passenger side.
20. Using the floor jack, raise front axle with slight pressure (DO NOT lift off jack stands).
21. Reinstall front shocks.
22. Reinstall upper shock tower with three factory (15mm) nuts.
23. Tighten upper and lower shock mounts (torque to spec).
24. Reinstall sway bar end links (torque to spec).
25. Reinstall tires (torque to spec) and lower vehicle to ground.
26. Reinstall upper 18mm track bar bolt. (NOTE: you may need to unlock steering wheel and turn left or right slightly to align hole for upper track bar bolt.)

**REVTEK INDUSTRIES
INSTALLATION INSTRUCTIONS FOR
2" DODGE RAM 4X4 SUSPENSION LIFT KIT
PART NUMBER 702**

Limited Lifetime Warranty

Revtek Industries products are warranted to be free from material and workmanship defects for as long as the original retail purchaser owns the vehicle upon which such products were originally installed (proof of purchase required). The consumer will be responsible for removing from the vehicle and returning any defective item, freight prepaid, and for reinstallation. This warranty is non-transferable. Revtek Industries' limit of liability under this warranty is to repair or replace the product at Revtek Industries' option. Consequential costs such as, but not limited to labor fees, loss of use, loss of time or freight charges are not covered. Any product that has been abused, altered, incorrectly installed, or used in competition is not covered. Product finish is excluded from this warranty. Items that are subject to wear are not considered defective when worn and are not covered. The warranty is void if the "Warning to Driver" decal is not properly displayed on the vehicle. No other warranties are expressed or implied. We reserve the right to make changes in design, materials, and specifications without prior notice.

This warranty gives you specific legal rights and you may also have other rights which may vary from state to state. Some states do not allow limitations on how long an implied warranty lasts or allow the exclusion or limitation of incidental or consequential damages, the above limitation or exclusion may not apply to you.

There are no warranties, expressed or implied including any implied warranties of merchantability and fitness, which extend beyond this warranty period. There are no warranties that extend beyond the face hereof. Seller disclaims implied warranty of merchantability.

This warranty shall not apply to any product which has been improperly installed, modified or customized. Warranty does not apply to any components used for racing purposes or racing type activities.

To make a claim under this warranty contact Revtek Industries about the problem prior to removing any parts from the vehicle. If it appears that the part is warrantable, you will be given a Return Authorization (RA) number and asked to return the part freight prepaid. If the part is found to be warrantable, it will be repaired or replaced and returned to you. All freight charges are the customer's responsibility. If a replacement part is needed before the part in question can be returned, you must first purchase the replacement part. Then, if the part in question is deemed warrantable, you will be credited / refunded.



Revtek Industries, LLC
4288 SE International Way, Portland OR 97222
Phone: (503) 659-1650 Fax: (503) 659-2931