



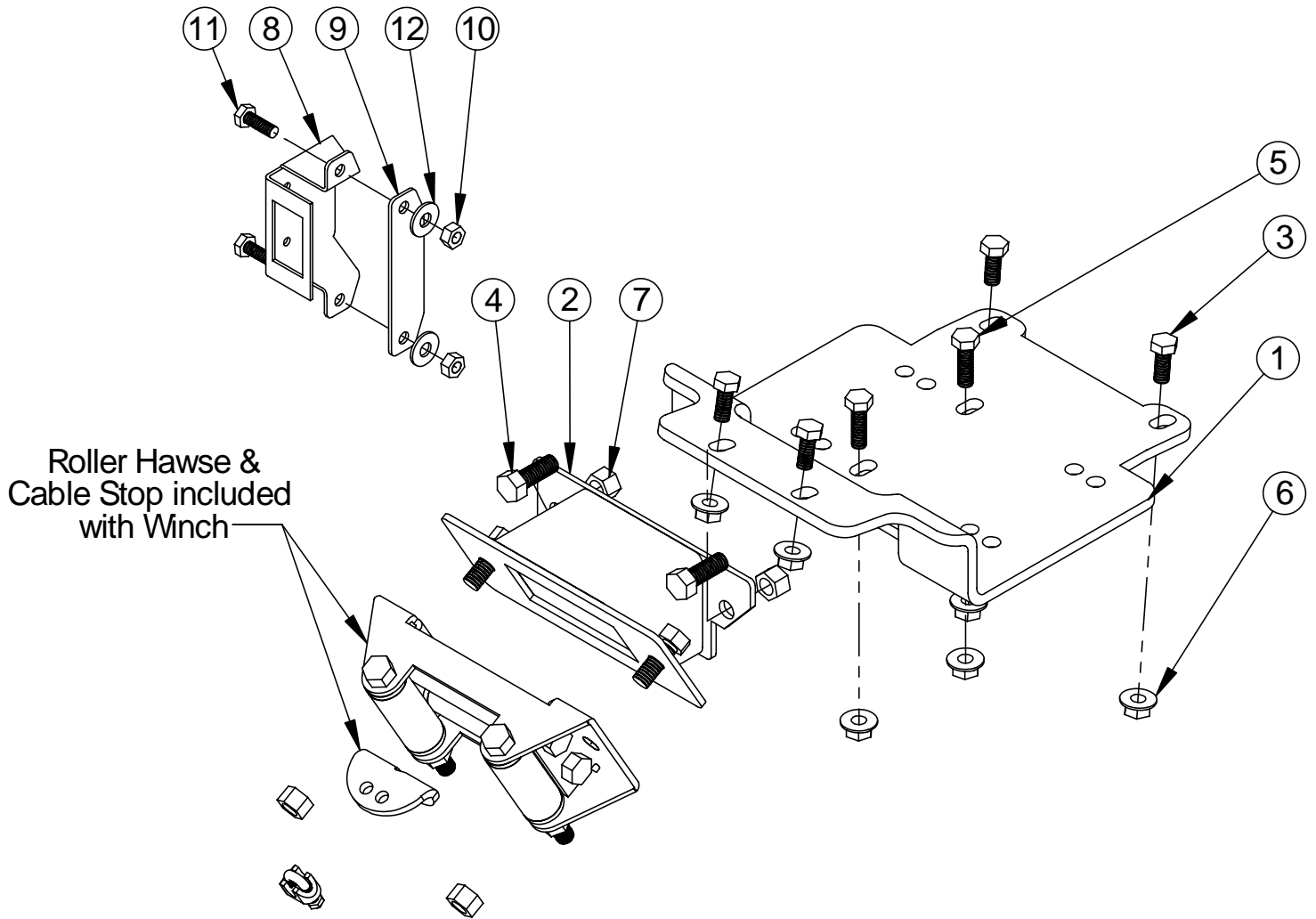
1701 38TH AVE W
PO BOX 257
SPENCER, IA 51301
PHONE: 712-262-4191
FAX: 712-262-0248
SERVICE: 800-841-2222
E-MAIL: ccac@cyclecountry.com
www.cyclecountry.com

WINCH MOUNT KIT For POLARIS UTVs

OWNER'S MANUAL

MODEL NUMBER: 25-3270

**CUSTOMER MUST RECEIVE A COPY OF THIS
OWNER'S MANUAL AT TIME OF SALE**



Model Number 25-3270 Parts List

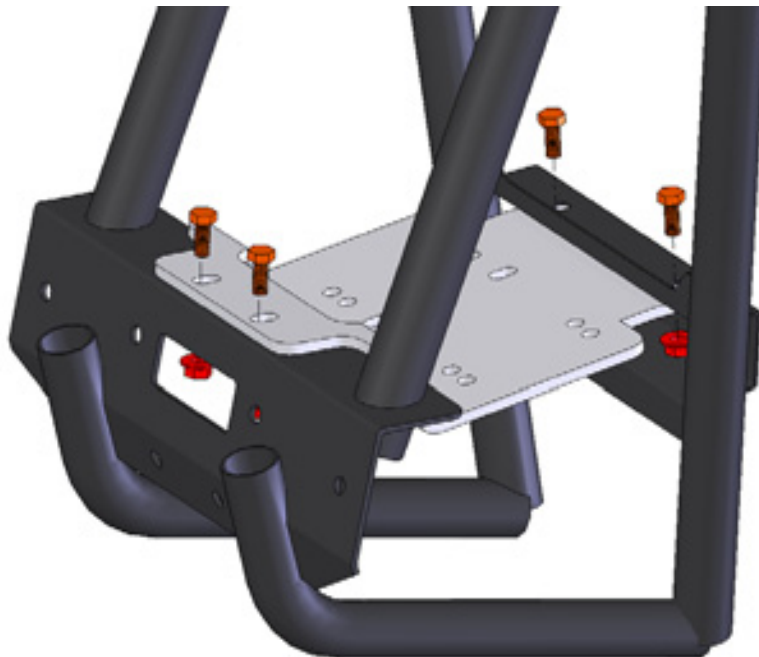
ITEM NO.	QTY.	PART NO.	DESCRIPTION
1	1	CYC5722	Winch Mount Plate
2	1	CYC5726	Roller Hawse Weldment
3	4	PUR1166	5/16" x 3/4" Bolt
4	2	PUR1140	3/8" x 1" Bolt
5	2	PUR1155	Bolt 5/16" x 1"
6	6	PUR1274	Flange Nut 5/16" Nylock
7	2	PUR1272	Locknut 3/8" Nylock
8	1	CYC4957	Winch Mount Switch Bracket
9	1	CYC4958	Winch Switch Mount Back Plate
10	2	PUR1265	Locknut 1/4" Nylock
11	2	PUR1130	Bolt 1/4" x 3/4"
12	2	PUR1237	Flatwasher 1/4"

THIS WINCH MOUNTING KIT CAN BE USED TO MOUNT A CYCLE COUNTRY 1500/2500 WINCH OR A WARN 1.5/15RT-XT/2500/25RT-XT/3000 WINCH.

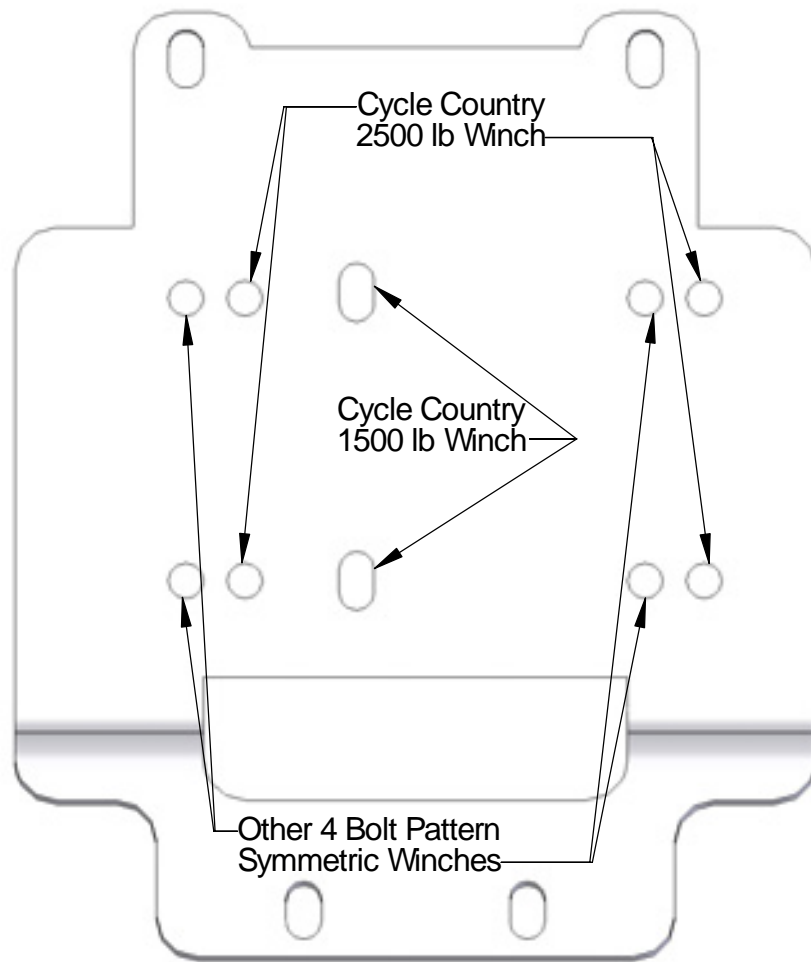
All directions referring to right and left are when the rider is sitting on the machine. Please Note: The cable clamp, roller hawse, and cable stop are included with the winch.

Model Number 25-3270 WINCH MOUNT INSTALLATION INSTRUCTIONS

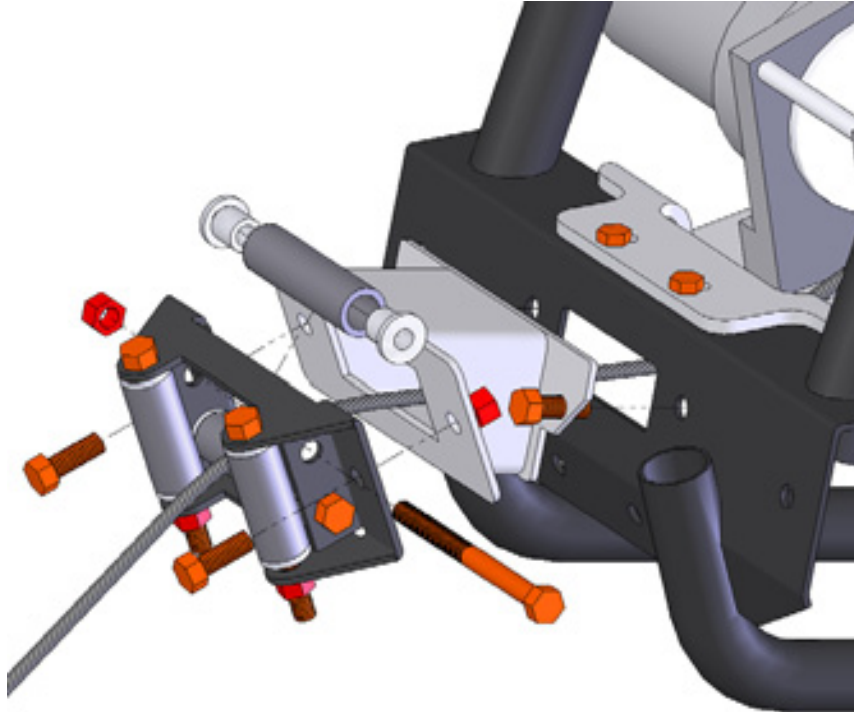
1. Remove the front hood and disconnect the wiring for the lights. Remove the front plastic bumper.
2. Remove the small plastic panel on the lower front of the bumper. This area is where the roller hawse fairlead and winch cable will pass through the bumper.
3. Insert winch plate (Item 1) and bolt into position as shown below.



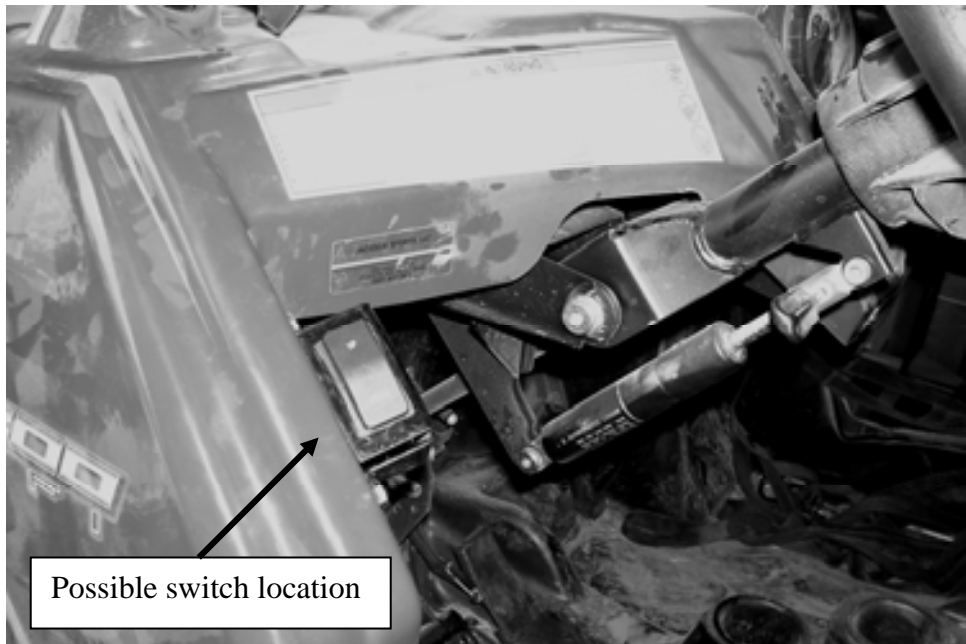
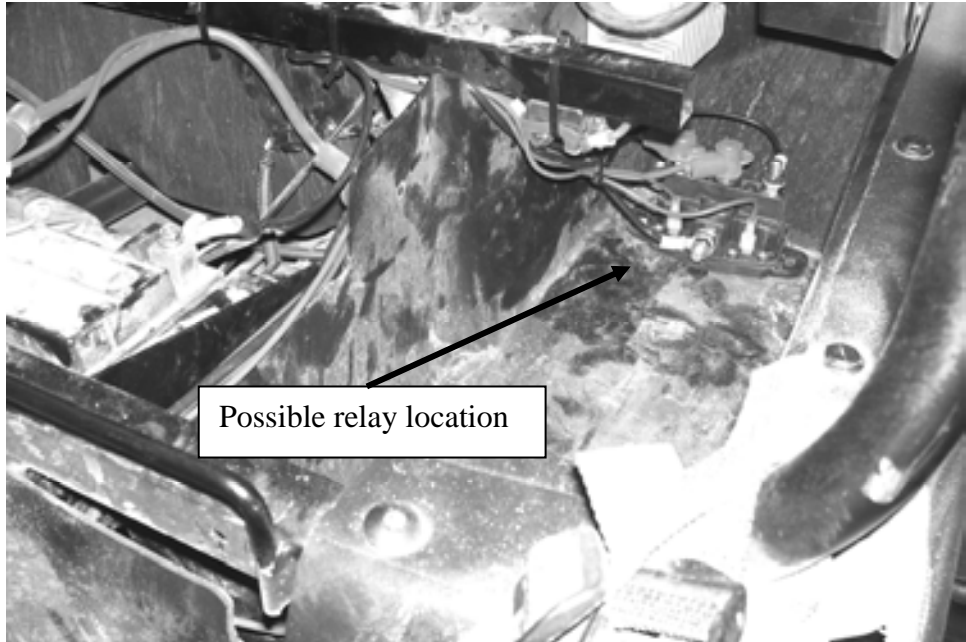
4. Insert your winch and position it according to the positioning guide on next page. If installing a Cycle Country 1500lb winch, install with the motor to the **LEFT** side of the vehicle. If installing a Cycle Country 2500lb winch, install with motor to the **RIGHT** side of vehicle. Many other winch models can be installed using this winch plate. *Note: some of the earlier RZR models have a radiator hose configuration that may rub on certain winch motors. Installer may choose to install a sleeve on the hose or use some other means of protecting the radiator hose from rubbing on the winch.*

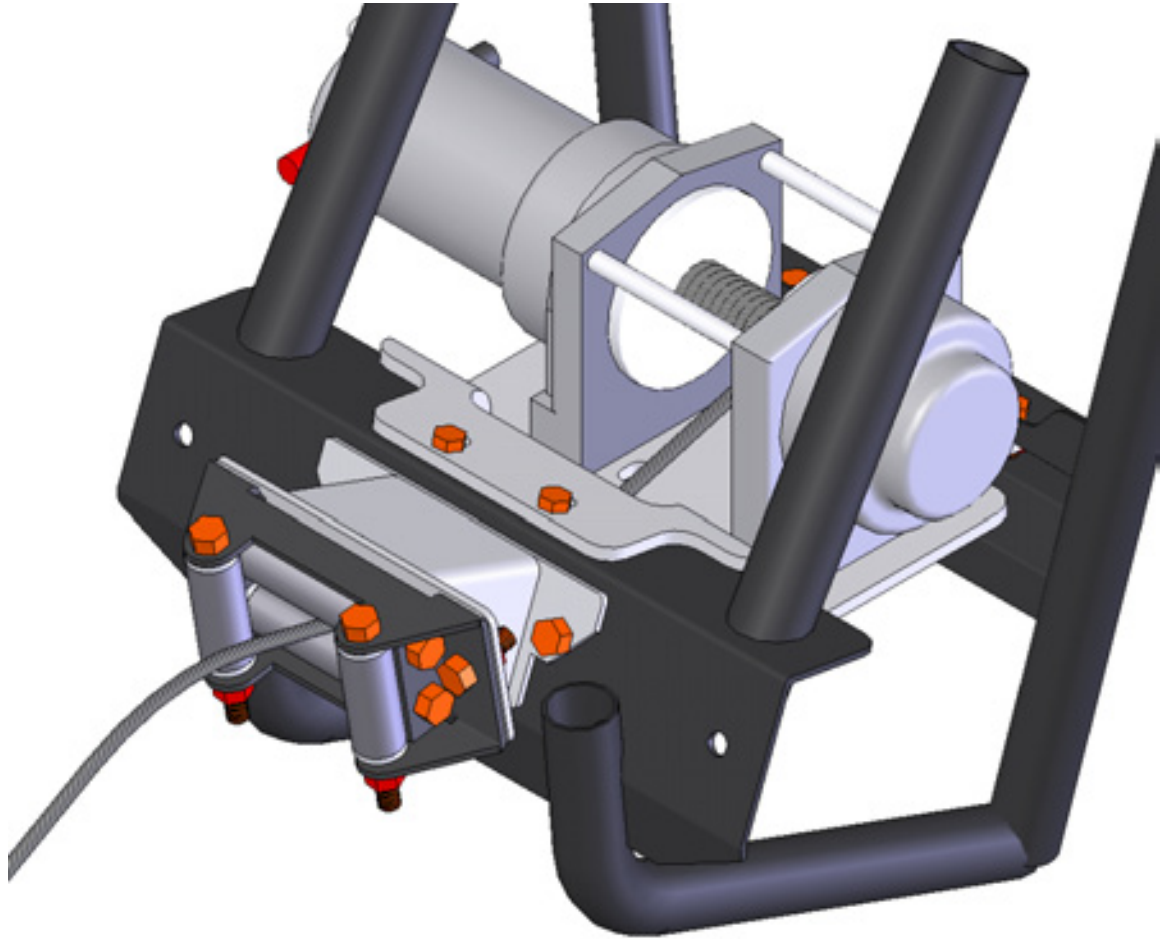


5. Route the winch cable through the frame and the roller hawse mount weldment (Item 2). Mount the roller hawse mount weldment into place as shown. Remove one of the long rollers to route the winch cable through the roller hawse. Route the cable through the roller hawse and mount into position.



6. Mount the switch housing (Items 8-12) and switch in a location where it will not be accidentally activated and will not come into contact with the operator or occupant when operating or entering and exiting the vehicle. See below for possible mount locations for relay and switch.





7. Reinstall the front plastic bumper and the hood and reattach the wiring for the lights.

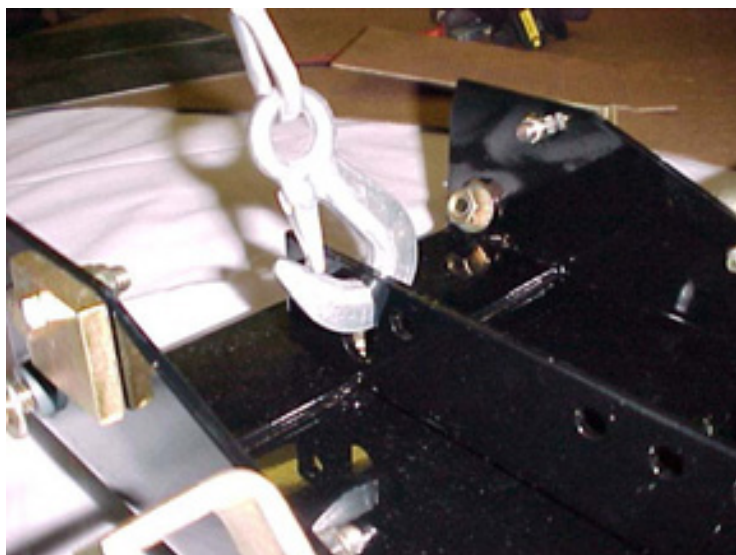
See Winch Wiring Instructions supplied with the Winch for proper installation.

CAUTION

**BE AWARE OF THE CABLE STOP CONTACTING THE ROLLER HAWSE WHEN THE CABLE IS WOUND IN.
FAILURE TO RELEASE THE SWITCH MAY CAUSE DAMAGE TO WINCH PARTS OR TO THE ATV.**

When using the Winch to raise and lower a Cycle Country Plow, a Cable Stop must be installed.

Hook the Winch Cable to the CYC0345 (U608) (item #4 on your 15-0001 push tube kit) through the slotted hole. Carefully raise the blade until the top of the push tube are no closer than 1" anywhere on the ATV. Place the Cable Stop onto the Winch Cable up against the Winch Hawse. Secure the Cable Stop to the Winch Cable using the Cable Clamp Assembly as shown in the pictures below.





1701 38TH AVE W
PO BOX 257
SPENCER, IA 51301
PHONE: 712-262-4191
FAX: 712-262-0248
SERVICE: 800-841-2222
E-MAIL: ccac@cyclecountry.com
www.cyclecountry.com

ONE YEAR LIMITED WARRANTY

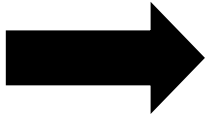
For the period of one year from the purchase date Cycle Country Accessories Corporation will replace for the original purchaser, free of charge, any part or parts, when found, upon examination by Cycle Country Accessories Corporation, to be defective in material, workmanship, or both.

All transportation cost incurred by the purchaser in submitting the material to Cycle Country Accessories Corporation for replacement under this warranty must be borne by the purchaser. If Cycle Country Accessories Corporation determines that the product must be returned to the factory for credit please call 1-800-841-2222 for an RMA number and shipping instructions.

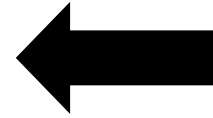
The warranty does not apply to parts that have been damaged by accident, alteration, abuse, improper lubrication, normal wear, or other causes beyond Cycle Country Accessories Corporation's control. Products such as engines, electric motors, and actuators may carry an original manufacturer's warranty. Please call Cycle Country Accessories Corporation for information.



Cycle Country Accessories Corporation has been a world-renowned manufacturer of quality ATV products since 1981 and we hope you will enjoy your new Cycle Country accessory.



Check out our other accessories



We're the Industry Snow Blade leader:

48", 54", 60" & 72" Bear Force Straight Blades

52" & 60" State Plows

48", 60" & 72" 'V' Force Plow System

If a winch is what you must have, then you've come to the right place:

1500lb and 2500lb Winches

We also have an extensive line of winch mounts for both Cycle Country and Warn winches

If you need to haul more gear on your quad, check out our baskets:

Front Basket

Rear Basket

Rear Drop Basket

If you need to mow the trail before you go riding one of these will help:

Our 54" finish cut Quick Silver54 can be mounted in front or towed behind your ATV

The 48" Rough Cut will handle your toughest mowing jobs

The Rough Cut 44 provides an economical way to handle all your mowing needs

If you are into deer hunting and want to make a food plot, you will love our 3 Point Hitch & Implements:

Rear Blade

Moldboard Plow

Spreader

Furrower

Rake

Cultivator

Disk Harrow

And many more accessories to help you Work Hard and Play Hard:

For more information call us at 1-800-841-2222, or on the web at www.cyclecountry.com