



INSTALLATION INSTRUCTIONS

Product: FAB Trackbar Relocation Bracket

Part Number: JKSOGS920

Applications: Wrangler TJ, 1997-06

Cherokee XJ, 84-01 (non-CAD)

Grand Cherokee ZJ, 1993-98

517-278-1226 • tech@jksmfg.com • www.jksmfg.com
491 W. Garfield Avenue, Coldwater, MI 49036

Welcome

CONGRATULATIONS on purchasing the FAB over axle track bar bracket from JKS Manufacturing. We are committed to providing you with the best products available and your satisfaction is our first priority.

PLEASE READ these Installation Instructions carefully, and save them for future reference, as they contain important installation and maintenance information.

Important

NOT COMPATIBLE with vacuum actuated central axle disconnect axles

NOT COMPATIBLE with right hand drive vehicles

Will not fit Jeep JK or WJ models

This bracket is designed for use with a custom high steer upgrade and new track bar. The track bar, steering components, and sway bar mounts will need to be modified for use with this bracket

Tools Required

- Welder
- Cutoff Wheel

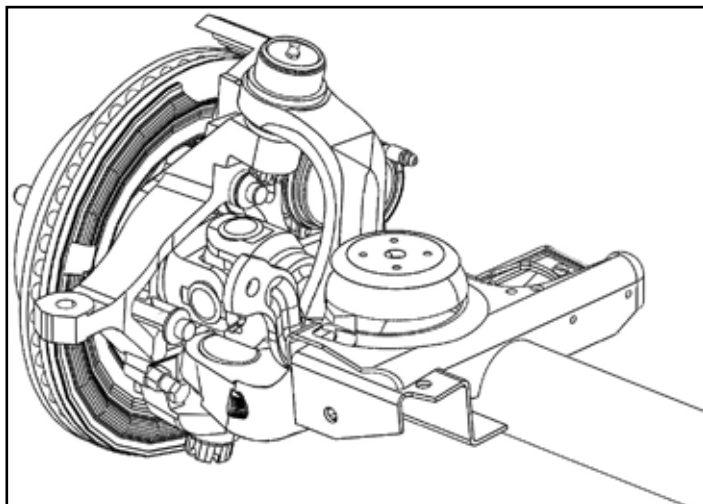
Parts

	Description	QTY
A	Over Axle Track Bar Bracket	1

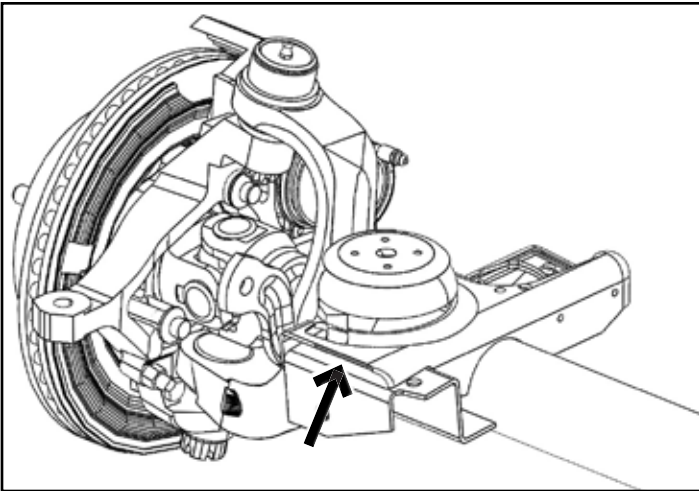
Installation

1. PREPARE FRONT AXLE

- Remove the factory steering stabilizer and track bar from the axle mounts.
- The factory steering stabilizer mount needs to be removed from the factory track bar bracket.
- Using an appropriate cutting tool, cut the stabilizer bracket at the welds and remove it from the axle as shown.

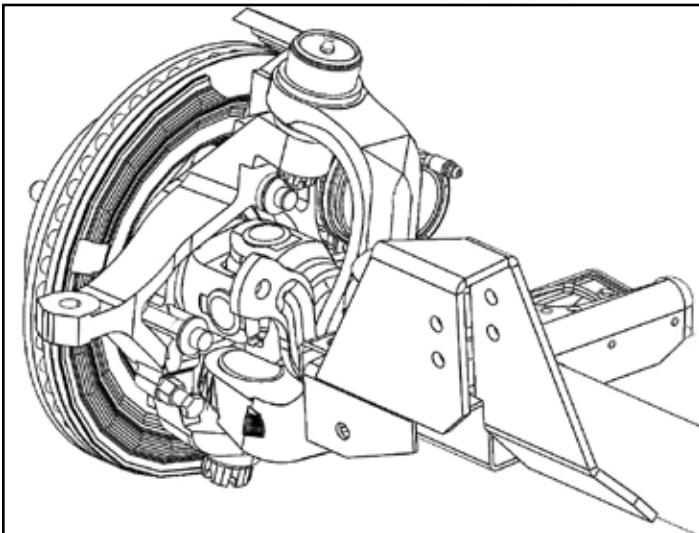


- The new bracket is designed to sit flush against the coil bucket. Make a cut inline with the front face of the coil bucket surface as shown.



❑ **2. WELD TRACK BAR BRACKET TO AXLE**

- Place the bracket on the housing as shown. The rear bracket edge should seat against the factory track bar mount. Align the bracket face with the OE track bar mount. The new bracket edge should line up with the axle tube.
- Remove the bracket and clean the surfaces to be welded.



- Tack weld the bracket to the axle and then fully weld the bracket along the axle tube and OE track bar bracket.
- Allow the parts to cool and paint to prevent rust.

©2013 JKS Manufacturing, Inc & Aftermarketing, LLC
Revision Date 12/13/2013