



INSTALLATION INSTRUCTIONS

Product: Angled CV Trackbar Bracket

Part Number: JKSOGS160

517-278-1226 • tech@jksmfg.com • www.jksmfg.com
491 W. Garfield Avenue, Coldwater, MI 49036

Welcome

CONGRATULATIONS on purchasing a new Angled CV Trackbar Bracket from JKS Manufacturing. We are committed to providing you with the best products available and your satisfaction is our first priority.

PLEASE READ these Installation Instructions carefully, and save them for future reference, as they contain important installation and maintenance information.

Important

VEHICLE MUST BE EQUIPPED with a CV type driveshaft.

NOT COMPATIBLE WITH right hand drive vehicles.

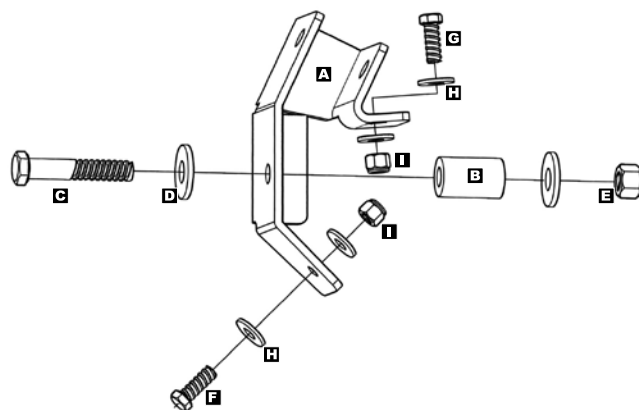
CHECK TORQUE SPECIFICATIONS regularly.

Tools Required

- Hydraulic Floor Jack & Jack Stands
- Metric/Standard Socket Wrench Set
- Torque Wrench
- T55 Torx Driver * (for OE track bar bolt)
- 5/16" Drill Bit

* Asterisk denotes tools that are not required for some applications. Thoroughly read instructions first to determine which tools will be required for your application.

Parts



	Description	Part #	QTY
A	Angled CV Trackbar Bracket	03036	1
B	1.58" Spacer	140	1
C	1/2" x 3-1/4" Bolt	18919	1
D	1/2" Flat Washer	33086	2
E	1/2" Nylock Nut	37130	1
F	5/16" x 1" Bolt	18795	1
G	5/16" x 3/4" Bolt	18793	1
H	5/16" Flat Washer	33080	4
I	5/16" Nylock Nut	37121	2



ATTENTION INSTALLER

DO NOT INSTALL this product on vehicles that are equipped with a factory type "slip yoke" driveshaft with single cardan U-joints. This product is designed specifically for vehicles that have a CV type driveshaft with double cardan U-joint.

The CV type driveshaft requires the rear axle housing to be rotated to align the pinion with the driveshaft. The purpose of this Angled CV Bracket is to re-establish proper alignment of the axle bracket with the track bar.

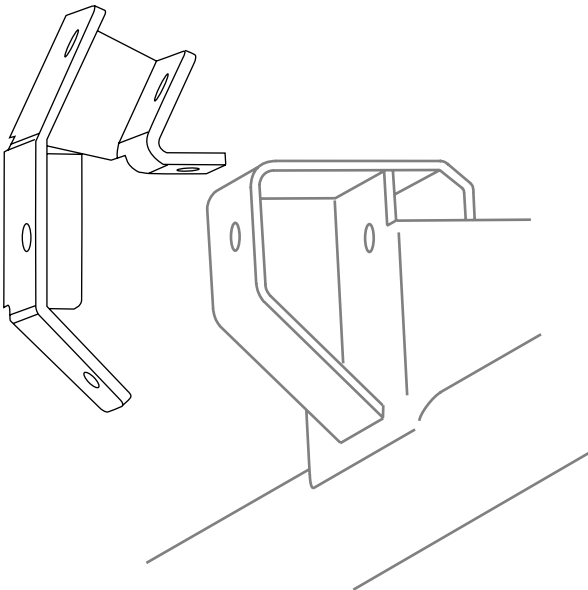
Installation

❑ 1. REMOVE REAR TRACK BAR

- Raise and support the vehicle chassis with jack stands positioned in front of the rear lower suspension arm brackets.
- Remove the rear wheels from vehicle.
- Raise and support the rear axle housing with a hydraulic jack. HINT: The axle housing should be evenly supported, with the suspension at normal ride height to relieve any tension from the mounting bolts.
- If equipped, remove and discard the plastic dust shield covering the bolt that secures the rear track bar to the OE bracket.
- Remove the rear track bar mounting hardware from the axle bracket. Retain hardware. **HINT:** A T55 Torx driver may be required to remove factory hardware.
- Remove track bar from axle bracket pocket. **HINT:** It may be necessary to remove the mounting hardware from the chassis bracket before track bar can be removed.

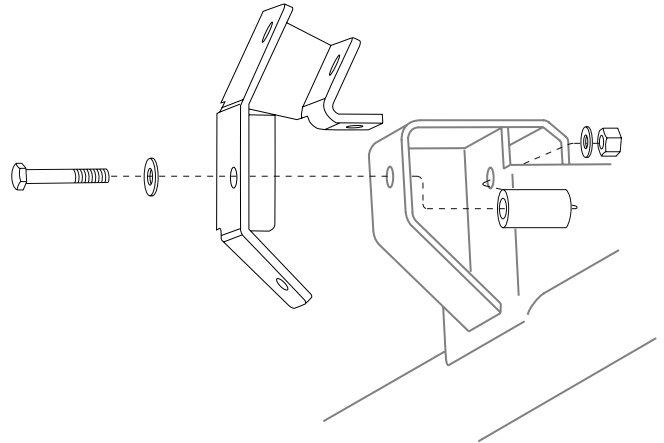
❑ 2. MOUNT ANGLED CV BRACKET TO AXLE HOUSING BRACKET

- Position the Angled CV Bracket (A) over the OE track bar bracket on axle as indicated below. HINT: Any dirt or debris should be cleaned from the OE axle bracket to ensure Angled CV Bracket (A) can be installed without obstruction.

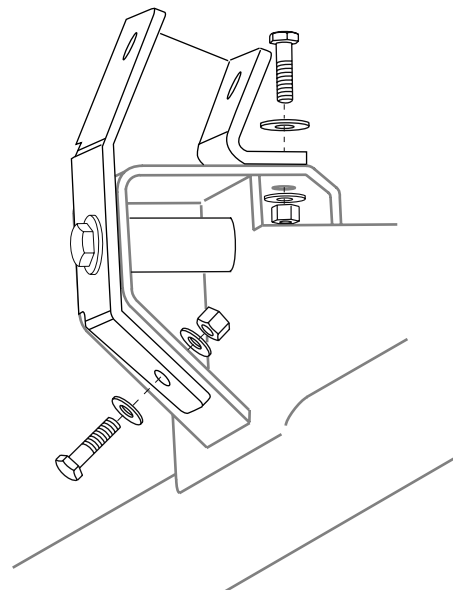


- Place the supplied gold colored 1.58" Spacer (B) into axle bracket "pocket". HINT: This spacer will be installed in the location vacated by the original track bar to prevent deformation of axle bracket.

- Mount Angled CV Bracket (A) to axle bracket by inserting the 1/2" x 3-1/4" Bolt (C) with 1/2" Flat Washer (D) through the original track bar mounting holes. HINT: Bolt must also pass through gold colored spacer as indicated below.



- Secure bolt with another 1/2" Flat Washer (D) and 1/2" Nylock Nut (E). Tighten 1/2" x 3-1/4" Bolt (C) to 65 ft-lbs. using a torque wrench.
- Using the installed CV Bracket (A) as a template, drill two 5/16" holes in the OE axle bracket. HINT: One hole is located on top, and the other is located on the angled surface below.
- Insert the 5/16" x 1" Bolt (F) and Flat Washer (H) into the top hole, and secure with another 5/16" Flat Washer (H) and Nylock Nut (I).
- Insert the 5/16" x 3/4" Bolt (G) and Flat Washer (H) into the bottom hole, and secure with another 5/16" Flat Washer (H) and Nylock Nut (I).
- Tighten each 5/16" bolt to 35 ft-lbs. using a torque wrench.

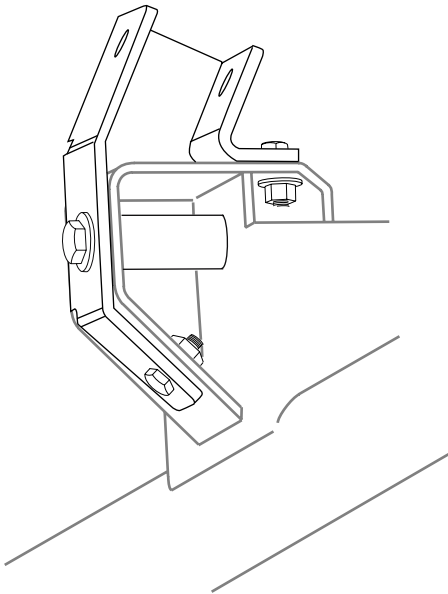


□ 3. RE-INSTALL REAR TRACK BAR

If installing an Adjustable Trackbar, it will be necessary to re-install the wheels and lower the vehicle first to determine the amount of adjustment required. Refer to the Adjustable Trackbar installation instructions for specific instructions.

If a non-adjustable or OE type track bar is being installed, proceed with the directions below.

- If previously removed, re-install chassis end of track bar using the original mounting hardware.
- Position axle end of track bar in Angled CV Bracket (A) and re-install original mounting hardware.



- Using a torque wrench, tighten mounting hardware at both ends of track bar to 74 ft-lbs.
- Re-install wheels and lower vehicle.

Maintenance

Check all torque specifications regularly.

©2013 JKS Manufacturing, Inc & Aftermarketing, LLC
Revision Date 10/31/13