



YOSHIMURA

RESEARCH & DEVELOPMENT OF AMERICA, INC.

5420 DANIELS STREET STE A, CHINO CA., 91786 · (800)634-9166 · (909)628-4722 · FACSIMILE (909)591-2198

www.yoshimura-rd.com

RS-3 OVAL PERFORMANCE EXHAUST SYSTEM

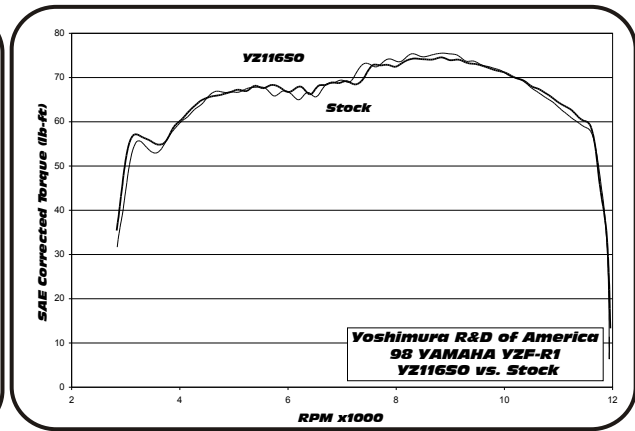
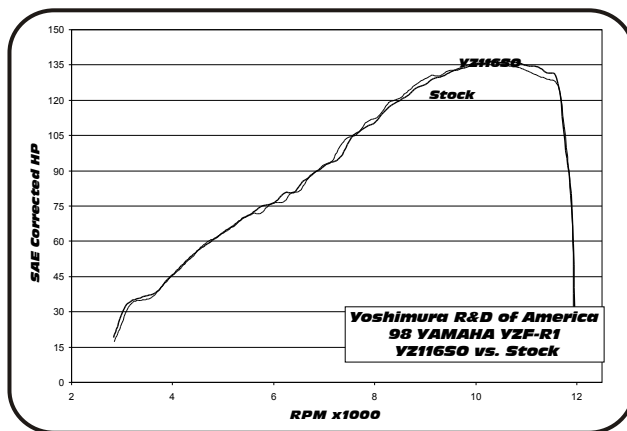
YAMAHA
'98-01
YZF-R1

YZ11350C

STAINLESS STEEL ZYCLONE SLIP ON

YZ11650

STAINLESS STEEL RACE ONLY SLIP ON



Note: Dyno graphs are for comparison use only. Actual results may vary depending on operating and motorcycle condition.



THIS PRODUCT IS DESIGNED FOR USE IN CLOSED COURSE RACING AND IS NOT INTENDED FOR HIGHWAY USE.



NOTE: IN THE STATE OF CALIFORNIA, IT IS ILLEGAL TO MODIFY THE EMISSION CONTROL SYSTEM, WHICH INCLUDES THE CARBURETORS OF ANY VEHICLE.

Caution: Exhaust system can be extremely hot. Let motorcycle cool down before beginning installation.

Note: Read through all instructions before beginning installation.

Tools Needed:

12mm, 14mm sockets
11mm (7/16") deep socket
3/8" ratchet
14mm wrench
8mm Allen bit for torque wrench
13/64" drill bit
Power drill
Safety glasses
Torque wrench

Installation Steps:

- 1 Remove lower cowlings.
(See Fig. 1 & 2 for fastener locations.)
- 2 Remove stock muffler and tailpipe assembly.
- 3 Slip 2.75" stainless steel exhaust clamp over Yoshimura tailpipe and install muffler and tailpipe assembly onto stock header.
- 4 Apply heat resistant tape to inside of muffler clamp and slide clamp onto muffler.
(Note direction of clamp in Fig. 3)
- 5 Mount clamp to stock muffler bracket using stock bolt, washers and nut. (See Fig. 3) Hand tighten bolt only at this point.

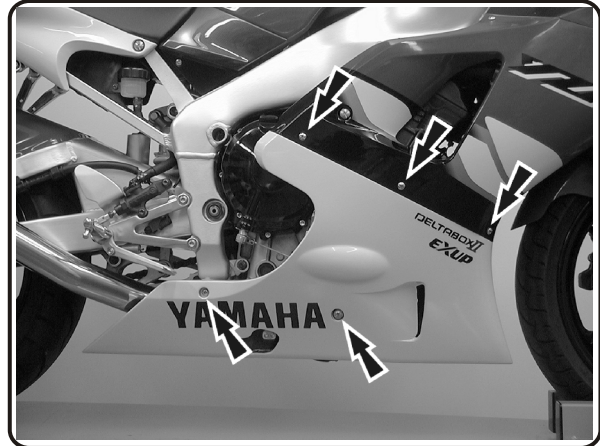


Fig. 1

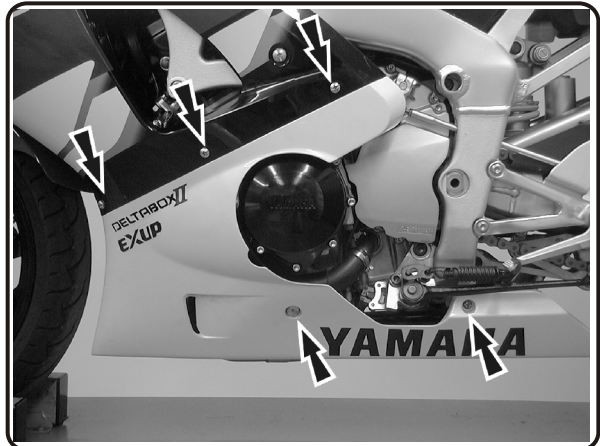


Fig. 2

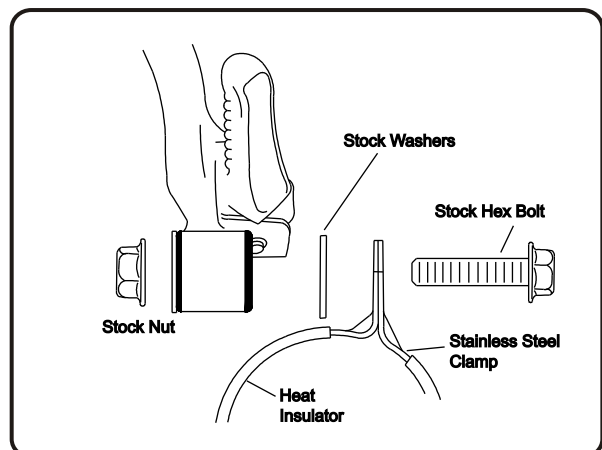


Fig. 3

6 Standing at the back of the motorcycle, check the orientation of the muffler (See Fig. 4) and check for clearance between swing arm, rear brake and muffler.

7 Tighten muffler clamp bolt to 2.5 kg-m (18 lb-ft)

8 Drill $13/64$ " hole thru end of header at the center of the securing hole in Yoshimura tailpipe. (See Fig.5) (Caution: Always wear eye protection when using any power tool.)

9 Install securing rivet into drilled hole, slide 2.75" stainless steel exhaust clamp over rivet and tighten clamp to 1.25 kg-m (9 lb-ft.).

10 It is recommended that the muffler and tailpipe be wiped down with rubbing alcohol to remove oil and fingerprints. This will help prevent tarnishing of the finish after the exhaust is heated up.

11 Check for proper clearance between new exhaust system and swing arm. If any problem is found, please carefully follow through the installation steps again. If problem still persists, please call Yoshimura tech. Dept. at (800)634-9166 / in CA (909) 628-4722

12 Reinstall cowlings.

13 Check for proper clearance between new exhaust system and cowling.

Note: After starting motorcycle, it is normal for new exhaust system to smoke until oil residue burns off.

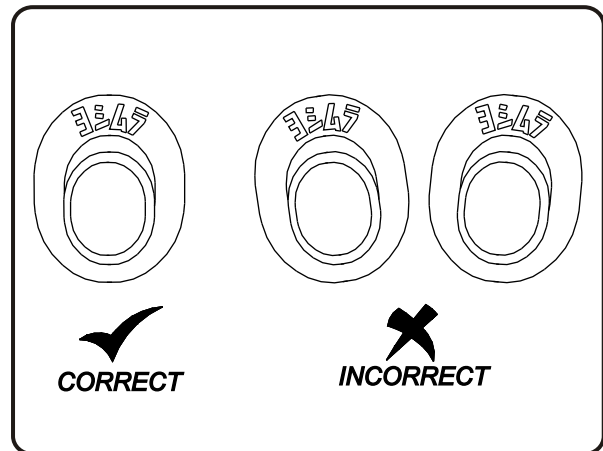


Fig. 4

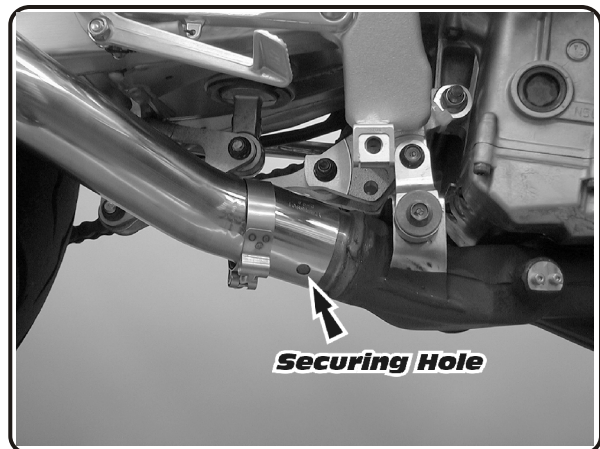
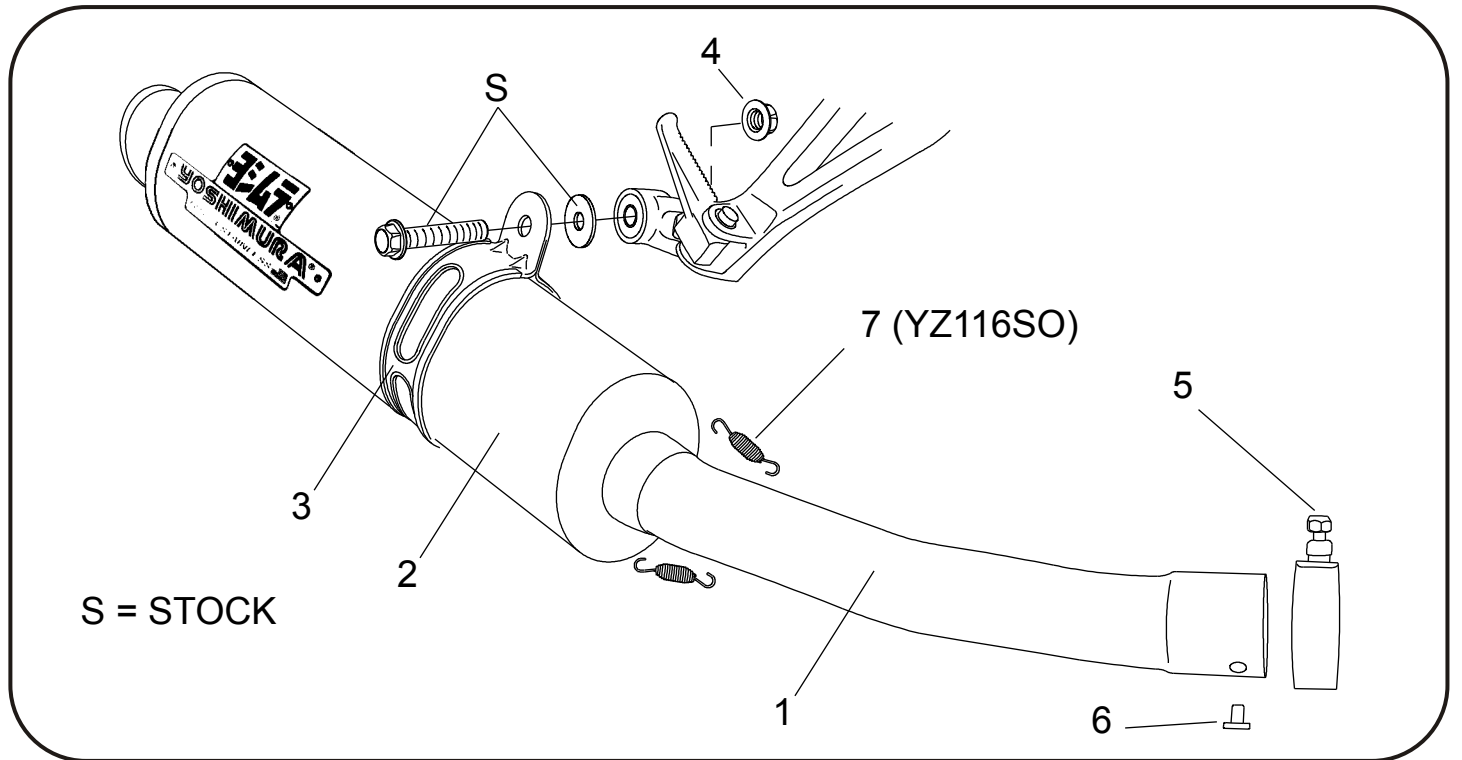


Fig. 6

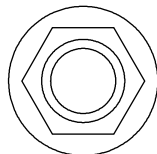
#YZ113SOC, #YZ116SO



Parts Diagram

1	Yoshimura Tailpipe Stainless Steel Zyclone Stainless Steel Race Only	1	YZ113SOT YZ116SOT
2	RS-3 Oval Muffer Assembly	1	**
3	Stainless Steel Muffer Clamp Stainless Steel or Titanium Sleeve uses Carbon Fiber Sleeve uses	1	COS450S10ASX COS450S10AS
4	10mm x 1.25 Flange Nut	1	10MMFNUT
5	2" Stainless Steel Exhaust Clamp	1	20069
6	Securing Rivet	1	S-RIVET
7	2.5" Exhaust Spring (YZ116SO)	2	RACE-SPS
**	Muffer Clamp Heat Insulator	1	HT SHLDTRS
**	Yoshimura Vinyl Sticker	1	17029

Nuts and Bolts Guide (Actual Size):



10mm x 1.25 Flange Nut