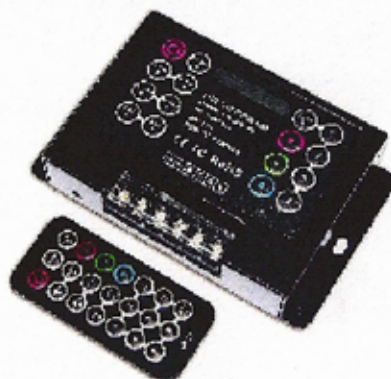


LED RGB Controller



The Oracle RGB controller is a unique DIY version as well as a powerful combination that can control color changes of LED lights with 4-pin 3-channels (Common anode), built-in 18 modes with touch functional buttons, provided with IR wireless remote control panel, users can control color changes of LED light by pressing the button on the controller or on the remote control panel, very users friendly.

1. Technical Specs

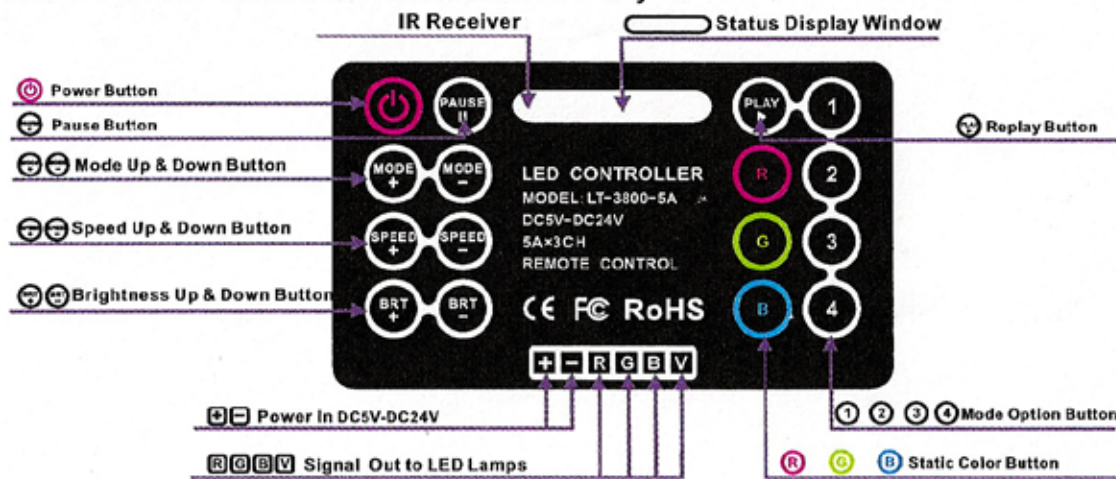
LT-3800-5A Constant voltage controller	
Power supply chosen	DC CV SMPS
Input voltage	DC5V~DC24V
Max load current	5A/CH×3CH 15A Max
Max load power	75W/180W/ 360W(5V/12V/24V)
Changing mode	18modes
Scale level	256 steps per RGB
Static dimming	mixing up 4096 colors
Working temperature	-30°C-65°C
Dimension	L142×W73×H30mm
Package Size	L145×W88×H46mm
Weight (G.W)	350g

2. Features

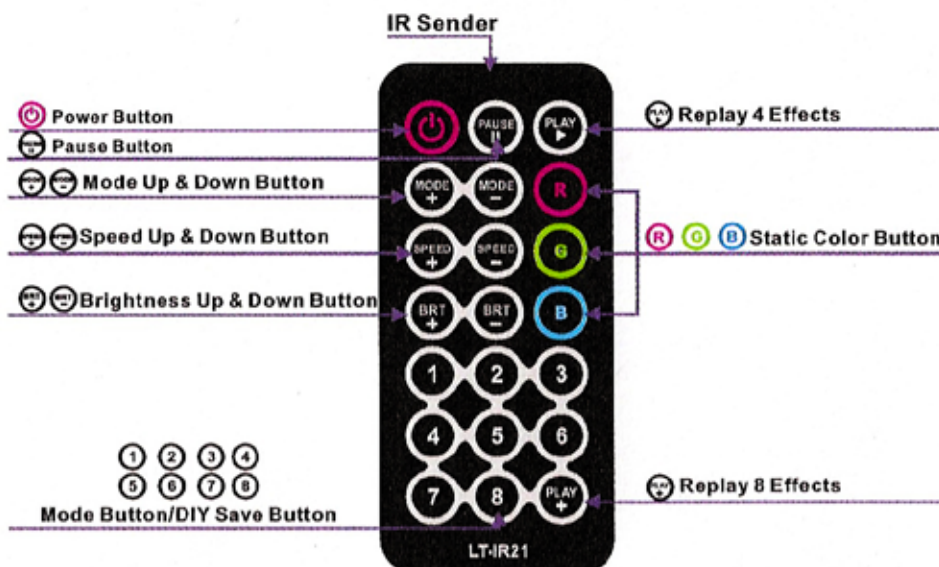
1. Automatic switch from DC5-DC24V.
2. With 24 Buttons IR Wireless remote control, reliable control distance can reach as far as 10m.
3. Several DIY Storage Buttons, to record your favorite effect .
4. 0-100% dimming and 16 levels of static brightness per RGB, can mix 4096 colors.
5. 3-Channel RGB full color control, maximum outputs 5A per Channel.
6. 256 Grey steps per RGB, color-smooth effect is gentle and accurate.
7. Can choose changing speed separately and adjust the brightness of each mode .
8. Can rest at current color and color depth by selecting PAUSE function.
9. Working with our LT-3060, can expand power unlimitedly.

3. Operating instructions

1. Instructions of controller and remote's keys:














Instruction of controller's buttons



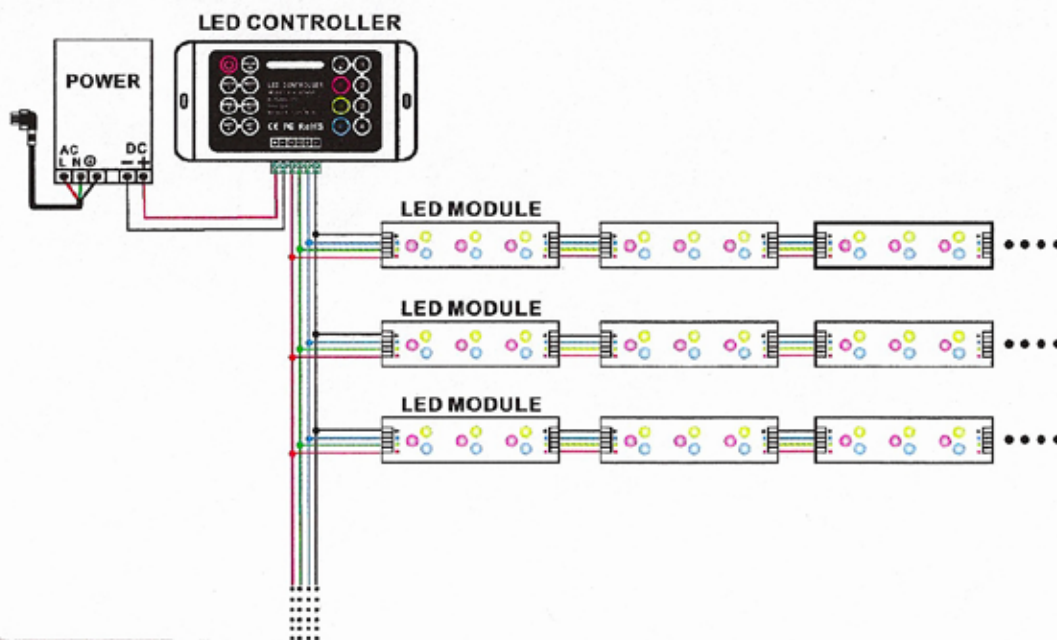
Instruction of IR remote's buttons

4. Detailed key functions

Sign	Button	Description
	ON /OFF	Turn on/off the controller  Any button can start the controller at off status.
	PAUSE	Press this button will rest at current color, it will continue to change if press again. Press this button in 3 seconds, the buzzer can be on or off.
	MODE+ MODE-	Press them to select next mode or back to previous mode (pls refer to the VI item). Press MODE+ or press MODE- over 3s to enter cycle mode.
	SPEED+ SPEED-	Press them to quicken or slower speed, press SPEED+ or SPEED- over 3s, current speed is restored to Default status.
	BRT+ BRT-	Press them to increase or decrease brightness, press any one over 3s, current brightness is Restored to Default status.
	DIY modes	Press them over 3s, LED flickers twice, then remember current change mode on this button, it can save 4 modes, just press it once then enter into pre-setup mode.
	DIY modes of remote	Press them over 3s, LED flickers twice, then remember the current mode on this button, it can save 8 modes, later can reach your pre-setup mode by just pressing it once.
	PLAY	Cycle play the 4 pre-setup modes in controller.
	RGB Dimming key	1.Press single R, G, B key continuously to change the brightness of RGB LED. 2.In single R, G or B dimming status, press BRT+ /BRT- key to increase/decrease the brightness.of current LED
	PLAY+	Cycle play the 8 pre-setup modes in IR remote Controller.

- Note:** 1.The functions of 1-4 DIY keys on the controller are the same with the 1-4 DIY keys on the remote control.
- 2.The cycle play buttons can only play the dynamic changing effects, if DIY reserved a static color, the static color will be skipped when pressing the cycle play button.

5. Conjunction diagram



6. Attention:

1. This product is non-waterproof, please avoid the sun and rain. Put it in a waterproof box if install outdoor.
2. The condition of radiation will affect the working life of controller, please install the product in a good radiation condition.
3. Please check if the output voltage of the LED power supply comply with the voltage range of the product.
4. This product is a high current device, please ensure a solid connection in order to avoid poor contact to damage parts and trigger fires.
5. Ensure all wire connection are correct before power debugging, which is to avoid lamps to be burnt because of wrong connection.
6. All the switching power supply must be well grounded, so as not to affect the working life of LED.
7. Please do not maintain it by yourself if any fault, please contact your supplier if any question.

7. After-sale service: The warranty

excludes improper connection to power supply, overload working, etc. Human damages and force majeure factors.

Repair or replacement as provided under this warranty is the exclusive remedy of the customer. We shall not be liable for any incidental or consequential damages for breach of any stipulation in this warranty.

For the sake of the convenience to repair, please don't tear up or obliterate the label on product.

This manual is only apply to this model, any update is subject to change without prior notice.