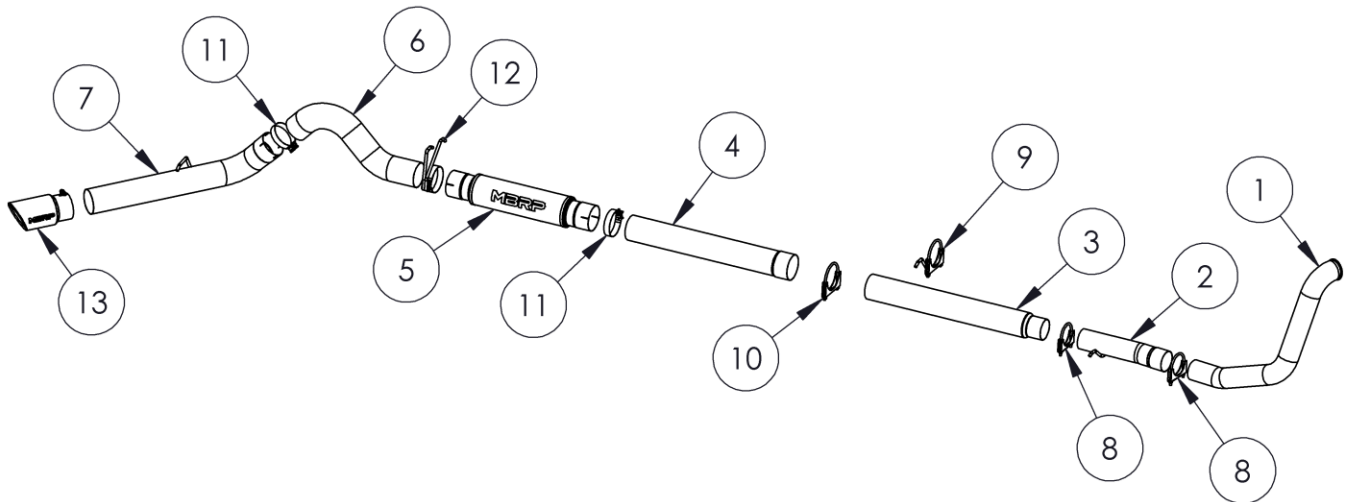


S6222

99-03 FORD F250/350 7.3L POWERSTROKE,
TURBO BACK, OFF-ROAD, 5" SINGLE SIDE
NOT FOR USE ON VEHICLES EQUIPPED WITH
CATALYTIC CONVERTER

MBRP



1. DOWN PIPE
2. 4" EXTENSION PIPE
3. 4" TO 5" EXTENSION PIPE (38")
4. 5" EXTENSION PIPE (35.25")
5. HIGH FLOW MUFFLER
6. OVER-AXLE PIPE
7. TAIL PIPE
8. 4" CLAMP (2 PCS)
9. 5" HANGER CLAMP
10. 5" CLAMP (2 PCS)
11. 5" BAND CLAMP
12. 5" HANGER BAND CLAMP
13. EXHAUST TIP

PLEASE READ BEFORE STARTING INSTALLATION

While MBRP Inc. has made every effort to ensure that all components of this system are of superior quality and properly packaged, it is the installer's responsibility to ensure the following before removal of the factory exhaust:

- that ALL components shown above are present.
- that ALL mating components fit together.
- that there are no damaged components.
- that the system you have purchased is appropriate for your vehicle year, model and configuration.
- that the system will not interfere with any modifications previously installed or planned.
- that you have read and understand these instructions.

If you have any questions or are uncertain about any aspect of the installation of this system to your vehicle please contact your dealer before commencing installation.

MBRP

Removal of Stock System:

1. If a hoist is being used for the installation, the original exhaust system can be removed in one piece by removing the passenger side shock. If a hoist is not being used the tail pipe must be cut behind the muffler to be removed.
2. Loosen the nut on the band clamp in front of muffler using a 15mm socket.
3. Remove the muffler and tail pipe from the OEM rubber hangers and separate the stock exhaust at the slip joint remove the muffler and tail pipe from under the truck. **Re-install the passenger side shock.**
4. Remove the down pipe from the turbo by removing the band clamp using an 11mm socket. **Retain the band clamp for the installation of the new down pipe.** Cut the down pipe in front of the transmission cross member to remove. (**Note:** The stock down pipe can be removed in one piece by removing the transmission cross member. It is recommended that this only be done by qualified, trained professionals using tools and equipment designed to safely carry out this procedure.)
5. Remove the spare tire. You may not be able to reinstall your spare tire after the installation of this exhaust system.

Installation of MBRP Inc. Performance Exhaust:

Note: Vehicles originally equipped with a catalytic converter must retain the factory catalytic converter. Removal of the catalytic converter may be a violation of federal or local regulations.



Figure 1

1. Install the **Down Pipe** in the same position as the stock down pipe and attach the flared end to the turbo using the stock band clamp. Do not fully tighten until all components are in place. **Refer to Figure 1 & 2.**



Figure 2

MBRP



Figure 3



Figure 4

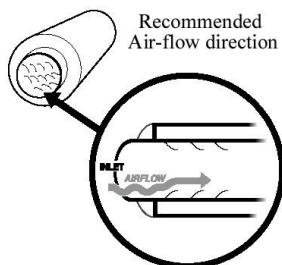


Figure 5



Figure 6



Figure 7

2. Attach the **4" Extension Pipe** with the hanger to the **Down Pipe** and place the hanger into the factory rubber insulator located on the frame. **Refer to Figure 3.**
3. Install the **4" to 5" Extension Pipe (38")** over the **4" Extension Pipe**. This pipe is pre-cut to fit a crew cab short bed truck. The **Extension Pipe (38")** will have to be cut to fit all other vehicles. Install the **5" Hanger Clamp** onto the **4" to 5" Extension Pipe** and place the hanger into the factory rubber insulator located on the frame. A **35.25" Extension Pipe** is provided for crew cab long bed trucks. The **35.25" Extension Pipe** may have to be trimmed as well. **Installation Tip:** Temporarily install the **Muffler** and **Tail Pipe** using the factory rubber insulators and the **5" Hanger Clamp**. Measure from the **Muffler** to the **Extension Pipe** or **4" to 5" Extension Pipe** to determine the length required. Cut to the required length. **Refer to Figure 4.**
4. Install the **Muffler** over the pipe immediately forward of it so the exhaust will flow smoothly over the louvers. **Refer to Figure 5 & 6.**
5. Install the **5" Hanger Band Clamp** into the two OEM rubber hangers located above the outlet of the **Muffler**.
6. Install the **Tail Pipe** and **5" Band Clamp** onto the **Over-Axle Pipe**. From the rear of the truck, slide the assembly over the axle and attach to the outlet of the **Muffler**. Install **Tail Pipe** hanger into the OEM hanger to complete. **Refer to Figure 7.**
7. Install the provided clamps around pipes where needed. Adjust the **Tail Pipe** and check along the whole length of the exhaust system to ensure there is adequate clearance around the fuel and brake lines or any wiring. If any interference is detected relocate or adjust. Start at the front of the exhaust system and begin tightening all connections.
8. Install and adjust the **Exhaust Tip** to suit. Tighten the lock bolt located on **Exhaust Tip**.

Congratulations! You are ready to begin experiencing the improved power, sound and driving excitement of your MBRP Inc. performance exhaust system. We know you will enjoy your purchase.