



INSTALLATION INSTRUCTIONS

FTS24134 REAR LONG ARM KIT		
2	FT50518BK	LOWER LINK (REAR)
2	FT50317BK	UPPER LINK (REAR)
1	FT50312BK	REAR FRAME POCKET (DRIVER)
1	FT50313BK	REAR FRAME POCKET (PASSENGER)
1	FT50511	HARDWARE SUBASSEMBLY

FT50511 HARDWARE SUBASSEMBLY		
1	FT50309	REAR DUAL NUT TAB (DRIVER)
1	FT50324	REAR DUAL NUT TAB (PASSENGER)
1	FT50314	NUT TAB
1	FT50315	NUT TAB
2	FT50308	REAR LONG NUT TAB
8	FT1003	HALF BUSHING
4	FT7100-6-100	SLEEVE .875 X .563 X 2.180
1	FTLUBE	URETHANE LUBE PACKET
8	FT50415	MISALIGNMENT 1"
2	FT50509	LINK TWIST WASHER
1	FT24134i	INSTRUCTIONS
1	FT50506	HARDWARE KIT
1	FTAS12	STICKER FT BLUE 10X4
1	FTAS16	DRIVER WARNING DECAL
1	FTREGCARD	REGISTRATION CARD

FT50506 - HARDWARE KIT		LOCATION
7	1/2" SAE WASHER	
1	1/2-13 C-LOCK NUT	
7	1/2-13 X 1-1/4 HEX BOLT	
1	1/2" USS WASHER	
4	1/2" LOCK WASHER	
6	9/16 SAE WASHER	
2	9/16"-12 C-LOCK NUT	
2	9/16-12 X 4-1/4" HEX BOLT	
1	THREAD LOCKING COMPOUND 1 MIL	

2007-17 JEEP WRANGLER 2DR/4DR REAR LONG ARM KIT

FT24134i

Fabtech Motorsports | 4331 Eucalyptus Ave. Chino, CA 91710

Tech Line: 909-597-7800 | Fax: 909-597-7185 | Web: www.fabtechmotorsports.com



- TOOL LIST -

Required Tools (Not Included)

- Basic Hand Tools
- Floor Jack
- Jack Stands
- Assorted Metric and S.A.E sockets, and Allen wrenches
- Torque Wrench
- Die Grinder w/ Cutoff Wheel or Sawzall

NOTE: REFER TO OPTIONAL KIT BOX INSTRUCTIONS PRIOR TO INSTALLATION.

- PRE-INSTALLATION NOTES -

For technical assistance call: **909-597-7800** or e-mail: **info@fabtechmotorsports.com**

READ THIS BEFORE YOU BEGIN INSTALLATION -

Check all parts to the parts list above before beginning installation. If any parts are missing contact Fabtech at 909-597-7800 and a replacement part will be sent to you immediately.

Read all instructions thoroughly from start to finish before beginning the installation. If these instructions are not properly followed severe frame, driveline and / or suspension damage may occur.

Check your local city and state laws prior to the installation of this system for legality. Do not install if not legal in your area.

Prior to the installation of this suspension system perform a front end alignment and record. Do not install this system if the vehicle alignment is not within factory specifications. Check for frame and suspension damage prior to installation.

The installation of this suspension system should be performed by two professional mechanics.

This suspension must be installed with Fabtech shock absorbers.

Use the provided thread locking compound on all hardware.

WARNING- Installation of this system will alter the center of gravity of the vehicle and may increase roll over as compared to stock.

Vehicles that receive oversized tires should check ball joints, uniballs, tie rods ends, pitman arm and idler arm every 2500-5000 miles for wear and replace as needed.

Verify differential fluid is at manufactures recommended level prior to kit installation. Installation of the kit will reposition the differential and the fill plug hole may be in a different position. (For example, if the manufacture recommends 3 quarts of fluid, make sure the diff has 3 quarts of fluid). Check your specific manual for correct amount of fluid.

FOOTNOTES -

- INSTRUCTIONS -

NOTE: REFER TO OPTIONAL KIT BOX INSTRUCTIONS PRIOR TO INSTALLATION.

1. Disconnect the negative terminal on the battery. Jack up the front end of the truck and support the frame rails with jack stands. **NEVER WORK UNDER AN UNSUPPORTED VEHICLE!** Support the rear axle and remove the rear tires.
2. With the rear axle supported, remove the rear sway bar end links. **NOTE: These may be re-installed depending on the kit that was purchased. If installing an entire lift kit, factory shocks and springs will need to be removed at this point.**
3. Starting on the driver side, remove the factory lower and upper links, save hardware.
4. Mark the lower link arm pockets & body mounts as shown in the photos below. You will be removing the inner and outer link arm mount from the frame on the driver side & ONLY the outer mount on the passenger side. **DO NOT REMOVE** the inner mount on the passenger side. Attempting to remove the inner mount could result in damaging the fuel tank. Sand / grind off the rest of the weld and cut areas smooth to the frame. Paint all bare metal areas. **SEE FIGURES 1-3**

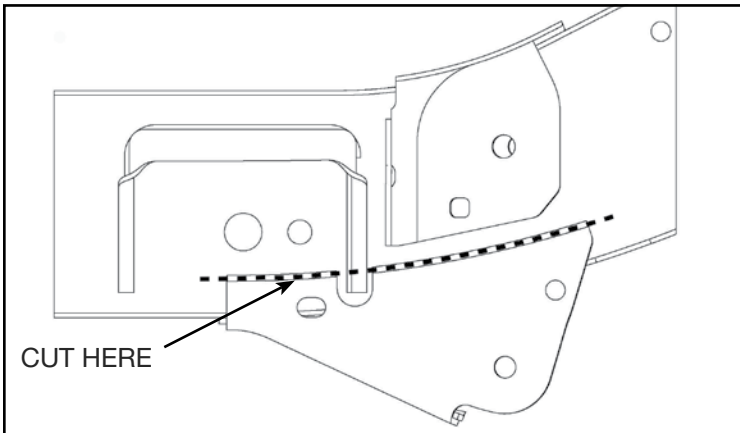


FIGURE 1 - STEP 4

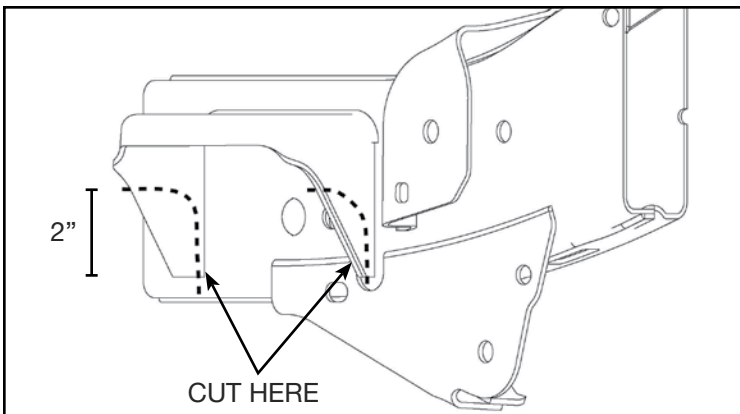


FIGURE 2 - STEP 4

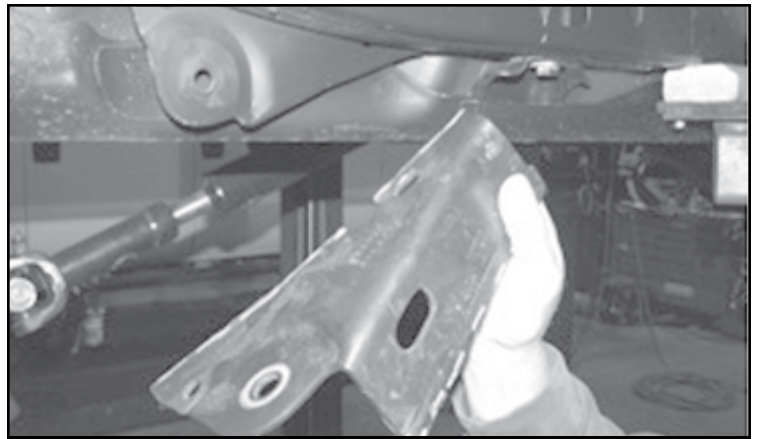


FIGURE 3 - STEP 4

5. Working from the driver side, locate the body mount on the driver side of the frame. Measure & mark 1 1/2" forward of the body mount and 1" up from the bottom of the frame. Use a 1 1/2" hole saw and drill through the front half of the frame only. Do not drill the inside of the frame. **SEE FIGURE 4-5**

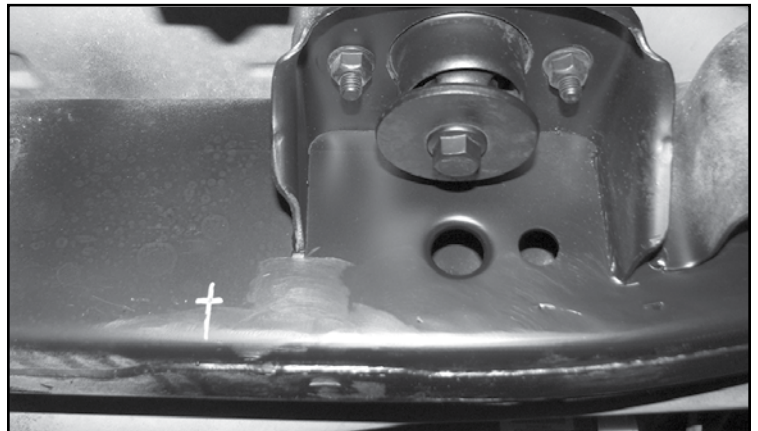


FIGURE 4 - STEP 5

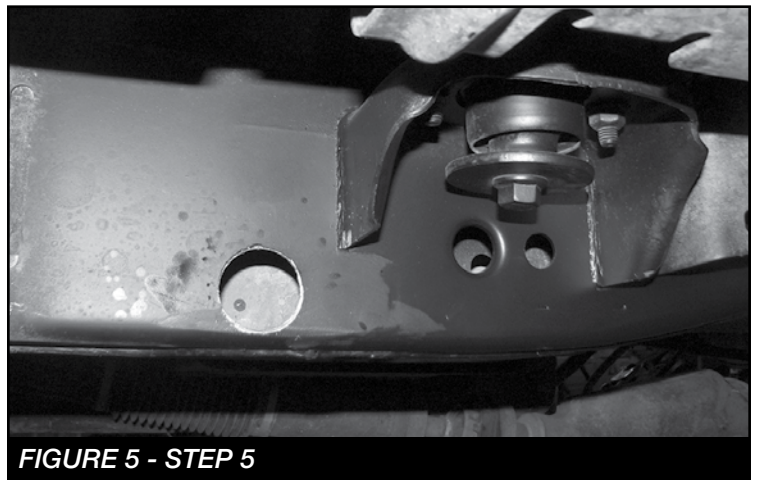


FIGURE 5 - STEP 5

6. Mark and cut the same body mount on the passenger side of the Jeep as done on the driver side. There is an existing factory hole in the frame on the passenger side, so drilling the 1 1/2" hole is not required.

- Locate FT50312BK & FT50313BK Rear Frame Pockets. Position the bracket onto the bottom of the frame 2" forward of the previously trimmed body mount. Mark the holes in the bracket onto the frame. Remove the bracket from the frame and drill the holes only into the face of the frame. DO NOT drill into the back of the frame. The two bottom holes and two front holes need to be drilled to 1/2" and the center hole needs to be drilled to 9/16". **SEE FIGURE 6-8**

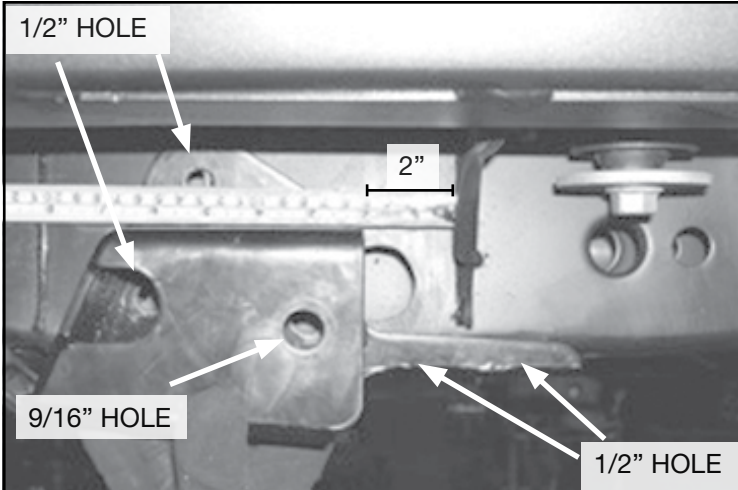


FIGURE 6 - STEP 7

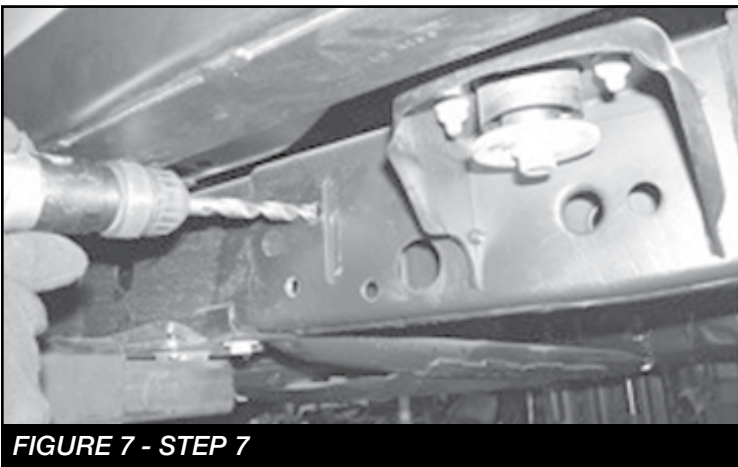


FIGURE 7 - STEP 7



FIGURE 8 - STEP 7

- Reposition the bracket to the frame using a supplied 1/2" x 1-1/4" bolt, nut and washers. Install the nut through the 1-1/2" hole you drilled in step 5. Leave loose.
- Install FT50309 (Driver Dual nut tab) through the same hole using a 1/2" X 1-1/4" bolt, lock washer and flat washer. Next, Install the 9/16 X 4-1/4" bolt and washer. Leave loose. **SEE FIGURES 9-10**

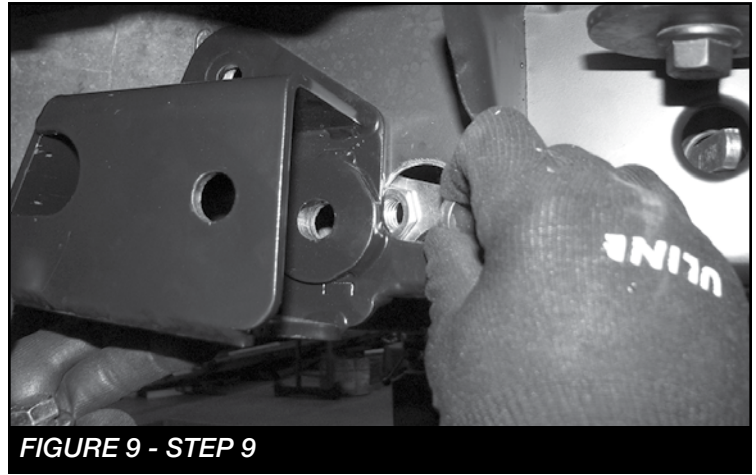


FIGURE 9 - STEP 9

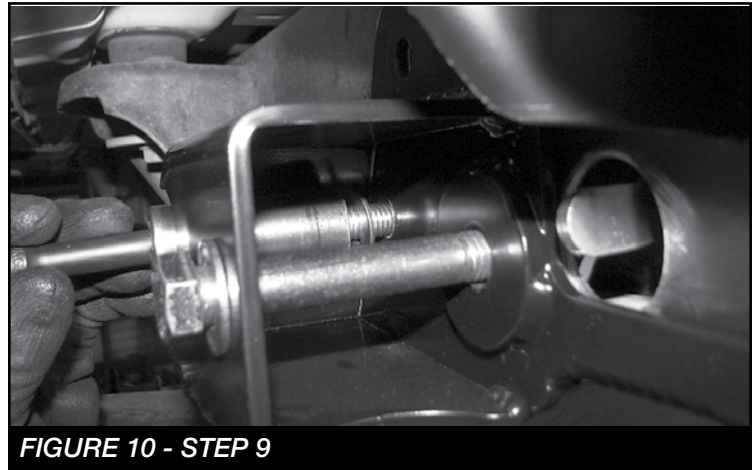


FIGURE 10 - STEP 9

- Install FT50308 (Rear long nut tab) using the supplied 1/2 X 1-1/4" bolt, lock washer and flat washer. Leave loose. **SEE FIGURE 11**

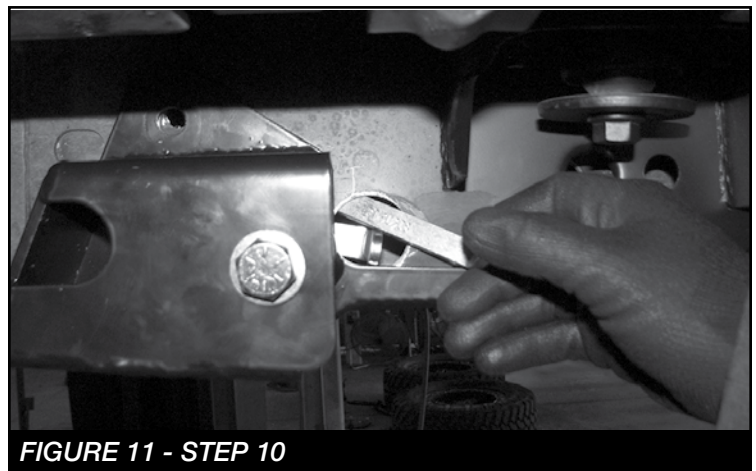


FIGURE 11 - STEP 10

11. Install FT50314 (nut tab) through the existing hole under the body mount using the supplied 1/2 X 1-1/4" bolt, lock washer and flat washer. Torque all 1/2" hardware to 127 ft-lbs. Leave the 9/16" hardware loose. **SEE FIGURE 12**



FIGURE 12 - STEP 11

12. Locate FT50317BK (upper links) and press in the FT1003 (half bushings), FT7100-6-100 (Sleeves) and install a zerk grease fitting into each end. Install the new links using the factory bolts and hardware. Torque to 160 ft-lbs. **SEE FIGURE 13**



FIGURE 13 - STEP 12

13. Remove the 9/16" bolt from the frame pocket. Install the FT50518BK (lower link) and FT50415 (1" misalignments) with the 9/16" bolt at the new frame mount and factory bolt at the axle mount. Torque the 9/16" hardware to 184 ft. lbs. and the factory hardware to 160 ft-lbs. **SEE FIGURE 14**

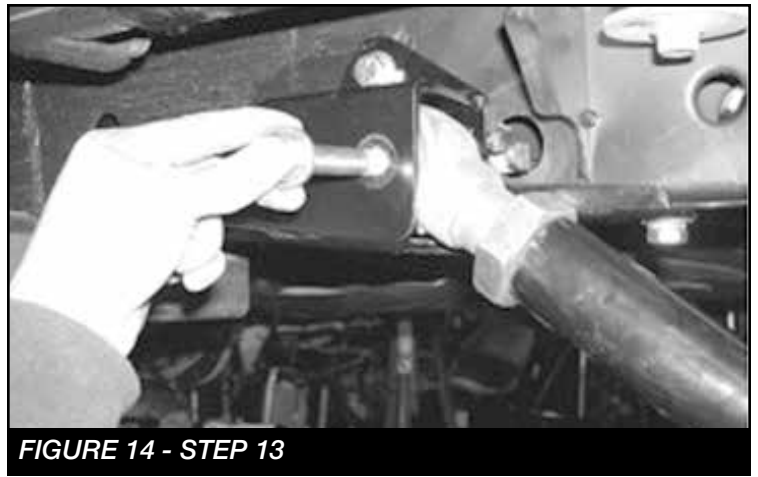


FIGURE 14 - STEP 13

14. Install tires and wheels and torque lug nuts to wheel manufacturer's specifications. Turn front tires left to right and check for appropriate tire clearance. **Note - Some oversized tires may require trimming of the front bumper & valance.**
15. Check front end alignment and set to factory specifications. Readjust headlights.
16. Recheck all bolts for proper torque.
17. Recheck brake hoses, ABS wires and suspension parts for proper tire clearance while turning tires fully left to right.
18. Check the fluid in the front and rear differential and fill if needed with factory specification differential oil. **Note - some differentials may expel fluid after filling and driving. This can be normal in resetting the fluid level with the new position of the differential/s.**
19. Install Driver Warning Decal. Complete product registration card and mail to Fabtech in order to receive future safety and technical bulletins on this suspension.

Vehicles that will receive oversized tires should check ball joints, uniballs and all steering components every 2500-5000 miles for wear and replace as required.

RE-TORQUE ALL NUTS, BOLTS AND LUGS AFTER 50 MILES AND PERIODICALLY THEREAFTER.

For technical assistance call: **909-597-7800**

- Product Warranty and Warnings -

Fabtech provides a Limited Lifetime Warranty to the original retail purchaser who owns the vehicle, on which the product was originally installed, for defects in workmanship and materials.

The Limited Lifetime Warranty excludes the following Fabtech items; bushings, bump stops, ball joints, tie rod ends, limiting straps, cross shafts, heim joints and driveshafts. These parts are subject to wear and are not considered defective when worn. They are warranted for 60 days from the date of purchase for defects in workmanship.

Dirt Logic and Performance Coilover take apart shocks are considered a serviceable shock with a one year warranty on leakage only. Service seal kits are available separately for future maintenance. All other shocks are covered under our Limited Lifetime Warranty.

Fabtech does not warrant any product for finish, alterations, modifications and/or installation contrary to Fabtech's instructions. Alterations to the finish of the parts including but not limited to painting, powder coating, plating and/or welding will void all warranties. Some finish damage may occur to parts during shipping, which is considered normal and is not covered under warranty.

Fabtech products are not designed nor intended to be installed on vehicles used in race applications or for racing purposes or for similar activities. (A "RACE" is defined as any contest between two or more vehicles, or any contest of one or more vehicle against the clock, whether or not such contest is for a prize). This warranty does not include coverage for police or taxi vehicles, race vehicles, or vehicles used for government or commercial purposes. Also excluded from this warranty are sales outside of the United States of America.

Installation of most suspension products will raise the center of gravity of the vehicle and will cause the vehicle to handle differently than stock. It may increase the vehicle's susceptibility to a rollover, on road and off road, at all speeds. Extreme care should be taken to operate the vehicle safely at all times to prevent rollover or loss of control resulting in serious injury or death. Fabtech front end Desert Guards may impair the deployment or operation of vehicles equipped with supplemental restraining systems/air bag systems and should not be installed if the vehicle is equipped as so.

Fabtech makes every effort to ensure suspension product compatibility with all vehicles listed on the website, but due to unknown auto manufacturer's production changes and/or inconsistencies by the auto manufacturer, Fabtech cannot be responsible for 100% compatibility, including the fitment of tire and wheel sizes listed. The Tire and Wheel sizes listed in Fabtech's website are only a guideline for street driving with noted fender trimming. Fabtech is not responsible for damages to the vehicle's body or tires. Fabtech is not responsible for premature wear of factory components due to the installation of oversized tires and wheels.

Fabtech's obligation under this warranty is limited to the repair or replacement, at Fabtech option, of the defective product only. All costs of removal, installation or re-installation, freight charges, incidental or consequential damages are expressly excluded from this warranty. Fabtech is not responsible for damages and/or warranty of other vehicle parts related or non related to the installed Fabtech product. This warranty is expressly in lieu of all other warranties expressed or implied. This warranty shall not apply to any product that has been subject to accident, negligence, alteration, abuse or misuse as determined by Fabtech.

Fabtech suspension components must be installed as a complete system including shocks as shown on our website. All warranties will become void if Fabtech parts are combined and/or substituted with other aftermarket suspension products. Combination and/or substitution of other aftermarket suspension parts may cause premature wear and/or product failure resulting in an accident causing injury or death. Fabtech does not warrant products not manufactured by Fabtech.

Depending on the condition of the factory suspension components retained after the installation of a Fabtech suspension not all vehicles may have the same ride stance front to rear as described in the website. The blue color of suspension components shown in all Fabtech photographs are for display purposes only. Majority of all Fabtech components will be black specifically where noted with part numbers ending in BK.

Installation of Fabtech product may void the vehicles factory warranty; it is the consumer's responsibility to check with their local vehicle's dealer for warranty disposition before the installation of the product. Some state laws may prohibit modification of suspension to a vehicle in whole or in part. It is the responsibility of the installer and consumer to consult local laws prior to the installation of any Fabtech suspension product to comply with such written laws.

It is the responsibility of the distributor and/or the retailer to review all warranties and warnings of Fabtech products with the consumer prior to purchase.

Fabtech reserves the right to super cede, discontinue, change the design, finish, part number and/or application of parts when deemed necessary without written notice. Fabtech is not responsible for misprints or typographical errors within the website or price sheet. For the most recent Product Warranty and Warnings visit our website www.fabtechmotorsports.com