



# INSTALLATION INSTRUCTIONS

## ROCK CRAWLER STUBBY FRONT BUMPER

Part Numbers: 87700

Application: Jeep TJ 1997-2006

### GENERAL SAFETY PRECAUTIONS

Your safety, and the safety of others, is very important. To help you make informed decisions about safety, we have provided installation and operating instructions and other information on labels and in this guide. This information alerts you to potential hazards that could hurt you or others. It is not possible to warn you about all potential hazards associated with this product, you must use your own good judgment.

**CARELESS INSTALLATION AND OPERATION CAN RESULT IN SERIOUS INJURY OR EQUIPMENT DAMAGE. READ AND UNDERSTAND ALL SAFETY PRECAUTIONS AND OPERATING INSTRUCTIONS BEFORE INSTALLING AND OPERATING THIS PRODUCT.**

This guide identifies potential hazards and has important safety messages that help you and others avoid personal injury or death. **WARNING** and **CAUTION** are signal words that identify the level of hazard. These signal words mean:

**▲WARNING** signals a hazard that could cause serious injury or death, if you do not follow recommendations. **▲CAUTION** signals a hazard that may cause minor to moderate injury, if you do not follow recommendations.

This guide uses **NOTICE** to call attention to important mechanical information, and **Note**: to emphasize general information worthy of special attention.

### ▲ WARNING

#### IMPACT AND MOVING PARTS ENTANGLEMENT HAZARD

Failure to observe these instructions could lead to severe injury or death

- Always use extreme caution when drilling on any vehicle. Make sure that all fuel lines, brake lines, electrical wires, and other objects are not punctured or damaged when/if drilling on the vehicle. Thoroughly inspect the area to be drilled (on both sides of material) prior to drilling, and relocate any objects that may be damaged. Failure to inspect the area to be drilled may result in vehicle damage, electrical shock, fire or personal injury.
- Always wear safety glasses when installing this kit. A drilling operation will cause flying metal debris.
- Always use extreme caution when cutting and trimming during fitting.
- Always remove jewelry and wear eye protection.
- Never lean over battery while making connections.
- Always insure components will remain secure during installation and operation.
- Always tighten all nuts and bolts securely, per the installation instructions.
- Always inspect, tighten, and replace damaged hardware before use.
- Always replace all worn or damaged parts before operating.
- Never operate this WARN product with damaged or missing parts.
- Never work under vehicle before properly securing vehicle.
- Never operate the vehicle on slopes greater than 10 degrees with the plow installed.

Read installation and operating instructions thoroughly.

## **⚠ CAUTION**

### **MOVING PARTS ENTANGLEMENT HAZARD**

Failure to observe these instructions could lead to minor or moderate injury

- Always take time to fully read and understand the installation and Operations Guide included with this product.
- Part edges may be sharp!

Read installation and operating instructions thoroughly.

## **NOTICE**

### **EQUIPMENT DAMAGE**

- Always refer to the Installation and Specification Guide, supplied in the winch kit, for all wiring schematics and specific details on how to wire this WARN product to your vehicle.

Read installation and operating instructions thoroughly.

## **TABLE OF CONTENTS**

Parts List.....	page 2
Tools Required.....	page 2
Torque Specifications.....	page 2
Installation.....	page 3

## **PARTS LIST**

<u>Description</u>	<u>Qty</u>	<u>Part Number</u>
Stubby Bumper	1	87509
Winch Plate	1	88036
Hardware Kit	1	87416

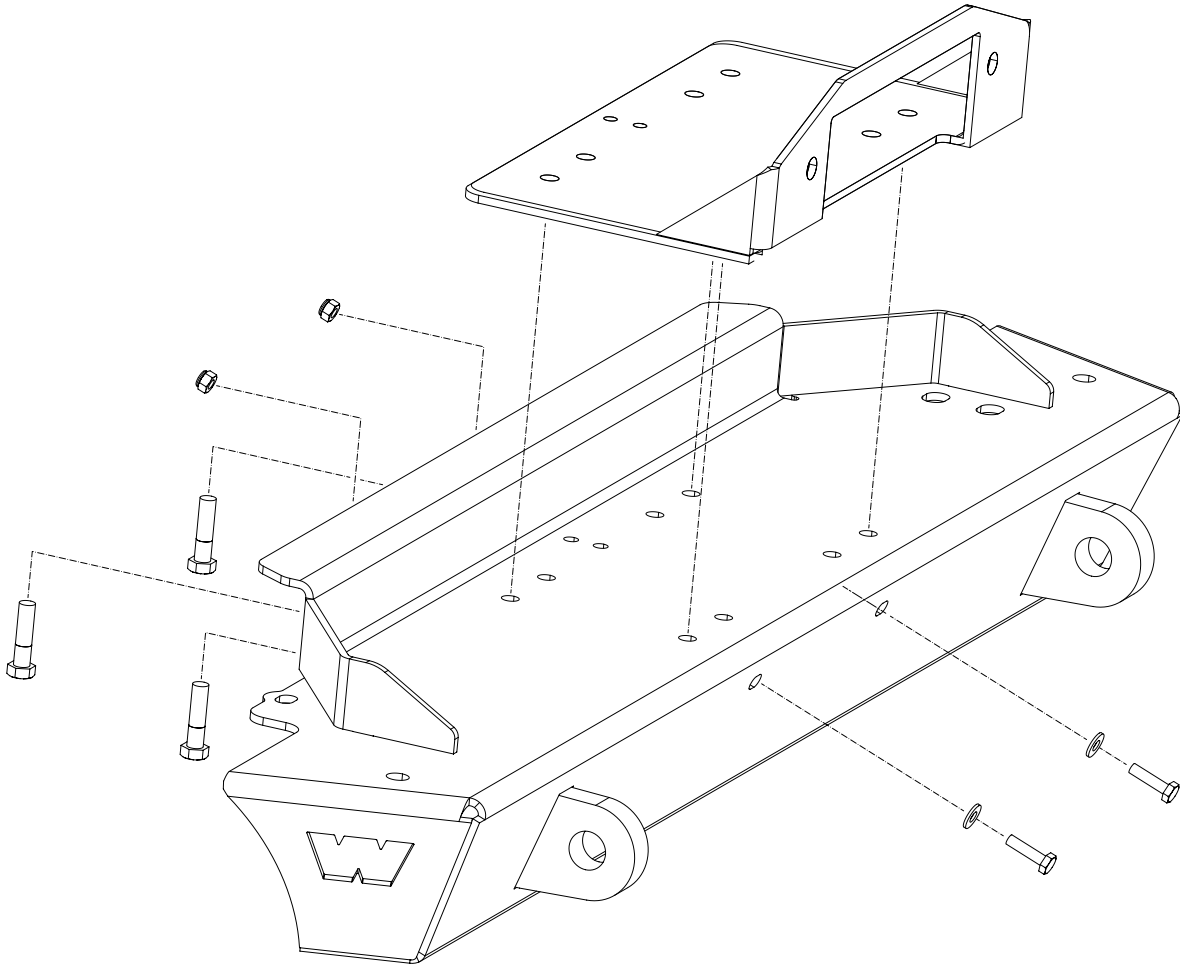
## **TOOLS REQUIRED**

- Ratchet
- Torx Bit: T55
- Sockets: 7/16", 5/8", 15mm
- End Wrenches: 7/16"

## **TORQUE SPECIFICATIONS**

1/4	8 lb. ft. (10.8 N-m)
5/16	17 lb. ft. (12.5 N-m)
3/8	30 lb. ft. (40.7 N-m)
7/16	50 lb. ft. (67.8 N-m)
1/2	75 lb. ft. (101.7 N-m)

## INSTALLATION INSTRUCTIONS



1. Disconnect and remove any auxiliary bumper mounted lights. Holes are provided on the top surface of the Stubby Bumper for light installation.
2. Remove the six Torx bumper bolts (4 top, 2 below) and remove the bumper. The fasteners will be re-used to attach the Stubby Bumper.
3. Remove the two front sway bar bracket bolts. The bolts will be re-used to install the Stubby Bumper.
4. If installing a winch, attach the fairlead to the supplied Winch Plate. Use the hardware supplied with the fairlead.
5. Place the Winch Plate on top of the Bumper and align the winch mounting holes. Place the winch on top of the Winch Plate and use the longer  $3/8 \times 1-1/2$ " bolts supplied with this kit to attach the winch. Torque to proper specification.
6. If attaching a license plate do so now. The bumper has two  $1/4$ " holes in the face for that purpose.
7. Place the bumper in position on the vehicle and secure in all locations with the original fasteners. Torque to proper specification.

**CARELESS INSTALLATION AND OPERATION CAN RESULT IN SERIOUS INJURY OR EQUIPMENT DAMAGE. READ AND UNDERSTAND ALL SAFETY PRECAUTIONS AND OPERATING INSTRUCTIONS BEFORE INSTALLING AND OPERATING THIS PRODUCT.**

