



INSTALLATION INSTRUCTIONS

APPLICATION: 1997-00 HONDA CRV

AUTOMOTIVE PRODUCTS, INC.

SAFARI BAR ASSEMBLY 30-0000 30-0005 MOUNT KIT 30-1005	
--	--

QTY	PARTS KIT CONTENTS DESCRIPTION	TOOLS REQUIRED
1	MOUNT BRACKET, PASSENGER SIDE	1/2" SOCKET 9/16" SOCKET 9/16" WRENCH 3/4" SOCKET 3/4" WRENCH TORQUE WRENCH RATCHET
1	MOUNT BRACKET, DRIVER SIDE	
2	BACKING PLATE	
2	1/2-13 X 2.00" HEX HEAD BOLT	
2	1/2" FLAT WASHER	
2	1/2" LOCK WASHER	
2	3/8-16 X 1.50" HEX HEAD BOLT	
4	3/8" FLAT WASHER	
2	3/8" LOCK WASHER	
2	3/8" HEX NUT	
2	5/16-18 X 1.00" HEX HEAD BOLT	
4	5/16" FLAT WASHER	
2	5/16" LOCK WASHER	
2	5/16-18 X HEX NUT	

STEP 1. Remove the contents from the box and check for any damage. Verify all parts against the parts list.

STEP 2. Read and understand instructions completely before beginning installation.

STEP 3. Install Mount Brackets using the 5/16" and 3/8" Fasteners through tabs. Leave loose. See Figures 1, 2 and 3.

STEP 4. Install Backing Plate using 3/8" Fasteners. See Figure 3 and 4.

STEP 5. Mount Safari Bar using 1/2" Fasteners. See Figure 3 and 4.

STEP 6. Center and level Safari Bar. Tighten and torque fasteners as follows:

5/16" Fasteners to 17 FT. LBS.

3/8" Fasteners to 30 FT. LBS.

1/2" Fasteners to 65 FT. LBS.

FIGURE 1

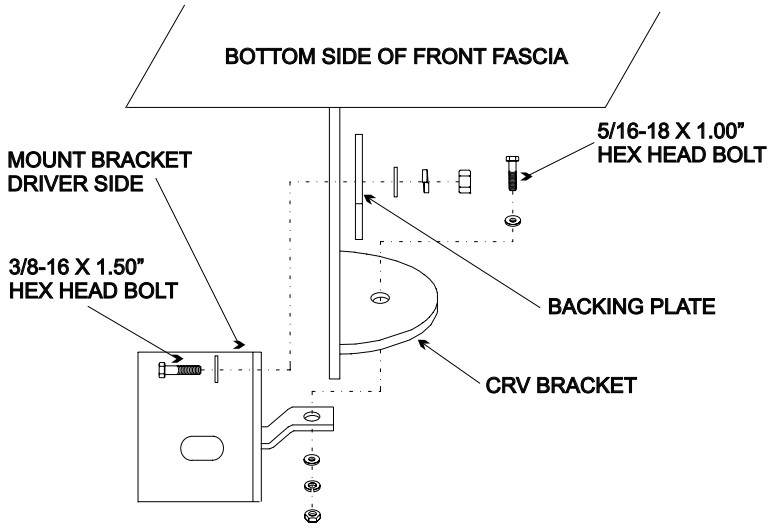


FIGURE 4
TOP VIEW

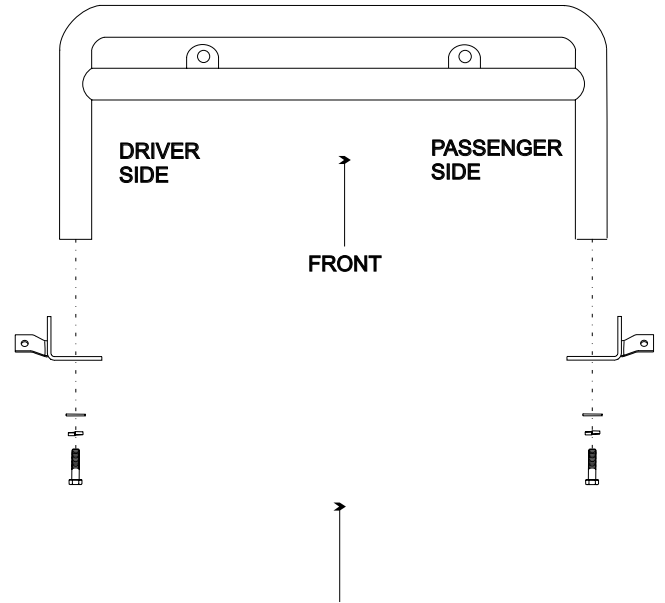


FIGURE 2
SIDE VIEW

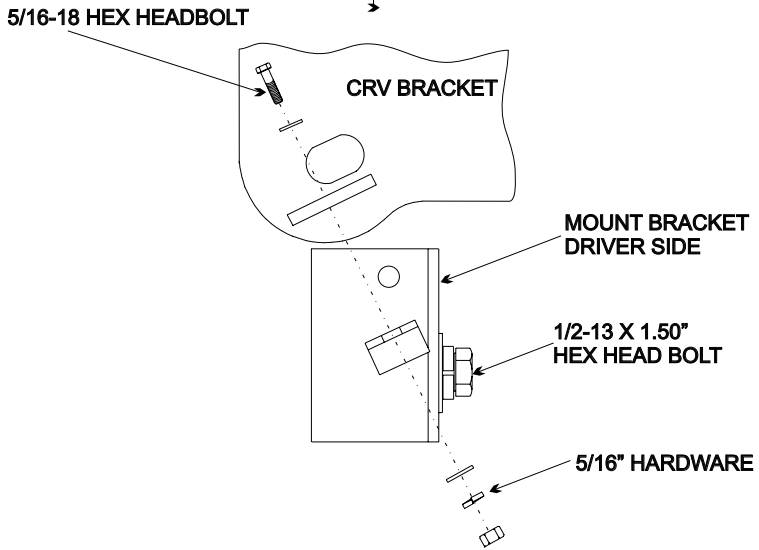
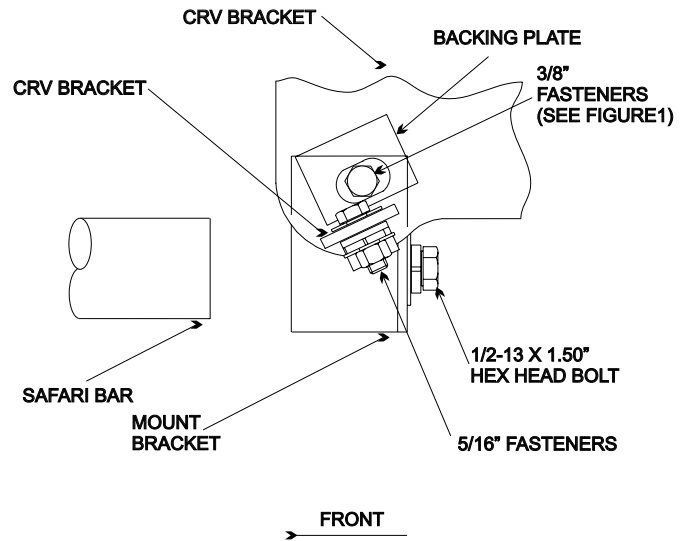


FIGURE 3
SIDE VIEW



Finish protection - Westin products have a high quality finish that must be cared for like any other exposed finish on the vehicle. Protect the finish with a non-abrasive automotive wax (pure carnauba, for example) on a regular basis. The use of cleaner wax or any compound which contains an abrasive is detrimental, as the compounds scratch the finish and open it to corrosion.



Westin Automotive Products, Inc.
5200 N. Irwindale Ave. Suite 220
Irwindale, Ca. 91706

Thank You for choosing Westin products
For additional installation assistance please call
Customer service (800) 793-7846 or (507) 375-3559