



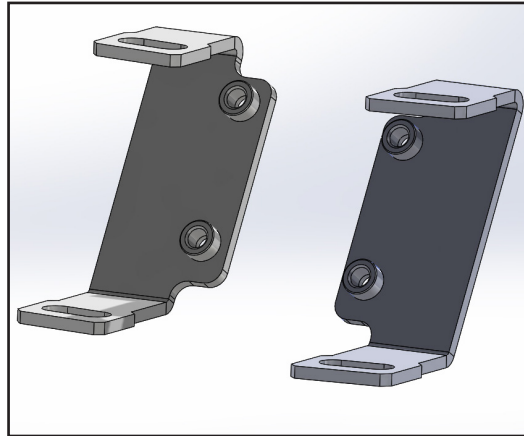
420 N. Grove, Richardson, TX 75081  
 Tele: (800) 527 - 4345 Fax: (800) 442 - 5263  
 Web site: www.goindustries.com  
 E-mail: gosupport@goindustries.com

# Lower Windshield Light Bracket Kit

## Installation Instructions

### 94601

Jeep Wrangler JK / Wrangler JK Unlimited  
 2007 - 2018



### 94601 Components

- 1) Light Mounting Bracket (Driver)
- 1) Light Mounting Bracket (Passenger)
- 4) 1/4" - 20 x 3/4" Flat Head Machine Screws

\*All other required installation instructions and hardware for the complete 94600 Windshield Light Bracket Kit is included with the 94600 bracket kit (sold separately)\*



### Note: Completely read instructions before beginning installation!

1. Remove contents from the box and check for missing pieces or damage. If parts are missing or damaged, please contact original place where item(s) were purchased.
2. Locate the required mounting holes in the windshield light bracket as shown. (Fig. 1)
3. Attach the lower windshield light brackets by threading the 1/4" - 20 x 3/4" screws (2 per side) through the previously located holes in the back-side of the windshield light bracket and into the lowerbrackets as shown. (Fig. 2)
4. Tighten all bracket hardware at this time and proceed to Step 4 of the 94600 installation instructions.

### Note: Re-check all hardware for proper tightness upon completion and periodically inspect hardware and parts for signs of wear throughout the life of the product.

Fig. 1



Fig. 2

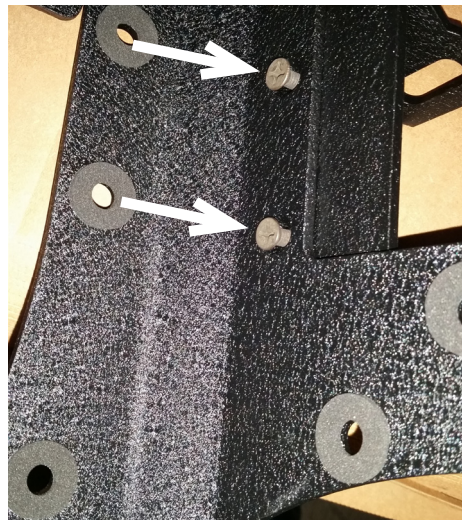


Fig. 3

