



Installation Instructions Front Bumper Approach Roller

Vehicle Application:
Jeep® Wrangler 2007-2017
Part Number 44947

Installation Tips

Before you begin installing your new Front Bumper Approach Roller, please read all the instructions thoroughly.



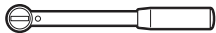

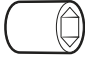




WARNING Do not rely in any way on the components of this product to protect against injury or death in the event of an accident. Never operate the vehicle in excess of manufacturer's specifications.

Read and follow, precisely, all installation instructions provided when installing this product. Failure to do so may result in a poor fit and could place occupants of the vehicle in a potentially dangerous situation.



WEAR SEAT BELTS AT ALL TIMES

CAUTION Safety glasses should be worn at all times when installing this product.

Tools			Installation Time
 Safety Glasses	 13mm - 16mm 18mm Wrenches	 Socket Wrench	 1-1/2 hours
		 13mm - 16mm 18mm Sockets	Skill Level
			   
			3 - Moderately Difficult



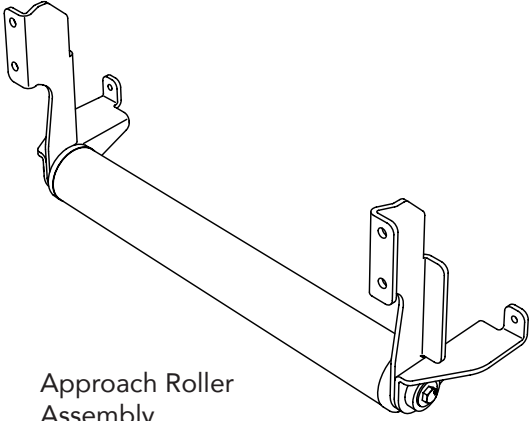
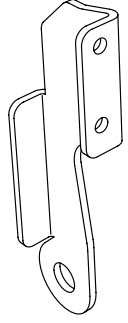
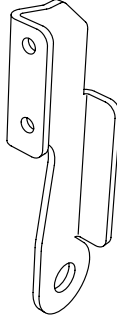
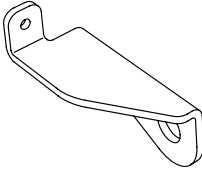
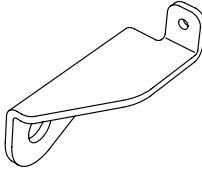
Installation Instructions

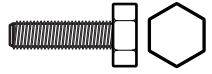

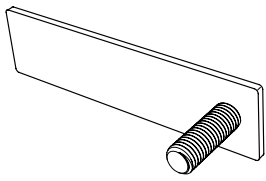
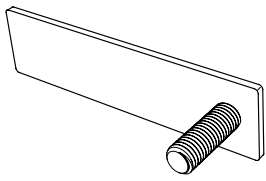

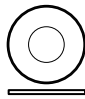
Front Bumper Approach Roller

Vehicle Application:
Jeep® Wrangler 2007-2017
Part Number 44947

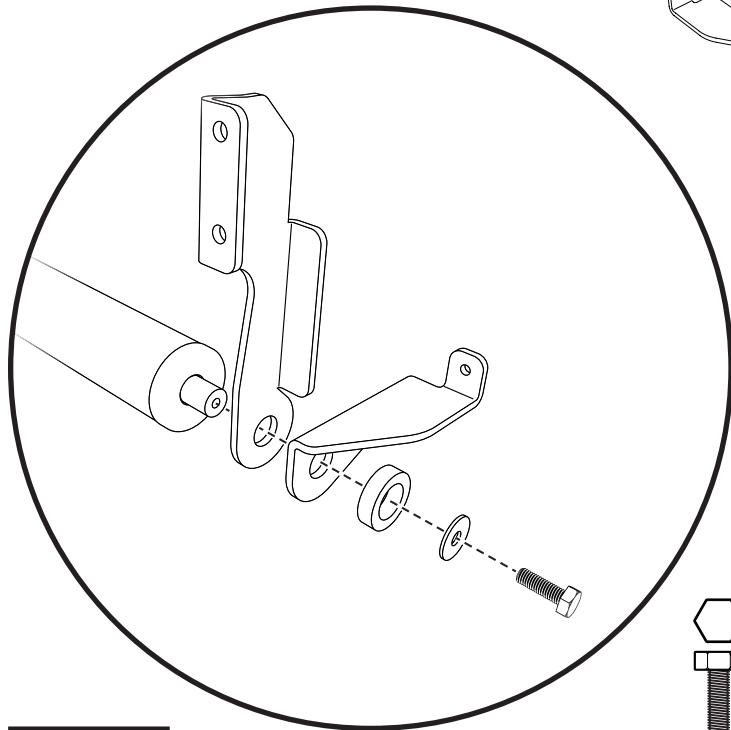
Parts List

- Required parts for installation

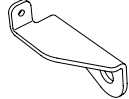
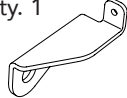


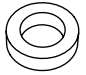




Section 1	Approach Roller; Inner & Outer Roller Brackets				Page 3 of Guide
 <p>Approach Roller Assembly Qty. 1</p>	 <p>Right Inner Roller Bracket Part #522.32 Qty. 1</p>	 <p>Left Inner Roller Bracket Part #522.31 Qty. 1</p>	 <p>Right Outer Roller Bracket Part #522.34 Qty. 1</p>	 <p>Left Outer Roller Bracket Part #522.33 Qty. 1</p>	

Section 1	Fasteners - Some Will Be Pre-Assembled with the Roller		Page 3 of Guide
 <p>M10-1.5x30mm Hex Head Bolt Part #414.24 Qty. 2</p>  <p>M10 Flat Washer Part #422.77 Qty. 2</p> <p>These Parts Come Pre-Assembled with the Roller Assembly</p>	 <p>Roller Spacer Part #522.35 Qty. 2</p>  <p>Stud Bracket Part #527.81 Qty. 2</p>	 <p>M8 Nylon Lock Nut Part #470.06 Qty. 2</p>  <p>M8 Flat Washer Part #484.93 Qty. 2</p>	

Step 1	522.31	522.32	522.33
	522.34	522.35	414.24
			422.77



Hardware

-  Right Outer Roller Bracket Part #522.34 Qty. 1
-  Left Outer Roller Bracket Part #522.33 Qty. 1
-  Right Inner Roller Bracket Part #522.32 Qty. 1
-  Left Inner Roller Bracket Part #522.31 Qty. 1
-  Roller Spacer Part #522.35 Qty. 2
-  M10-1.5x30mm Hex Head Bolt Part #414.24 Qty. 2
-  M10 Flat Washer Part #422.77 Qty. 2
-  M8 Nylon Lock Nut Part #470.06 Qty. 2
-  M8 Flat Washer Part #484.93 Qty. 2

Step 1

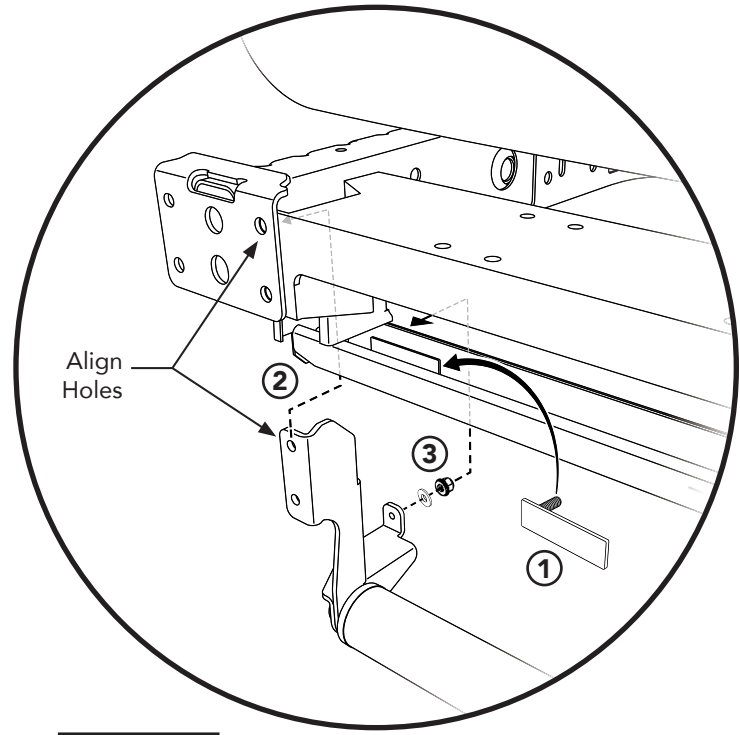
Front Bumper must be off the vehicle to perform this installation. The Winch Plate Must Stay attached to the Vehicle.

Disassemble the Roller Assembly, and re-assemble it with the Inner Roller Brackets #522.31 and #522.32, the Outer Roller Brackets #522.33 and #522.34, the Roller Spacer #522.35, the M10 Flat Washer #422.77, and the M10-1.5x30 Hex Head Bolt #414.24 in this order, from the roller outward.

Only tighten the bolts finger tight at this time.
Do this on both ends of the Roller.

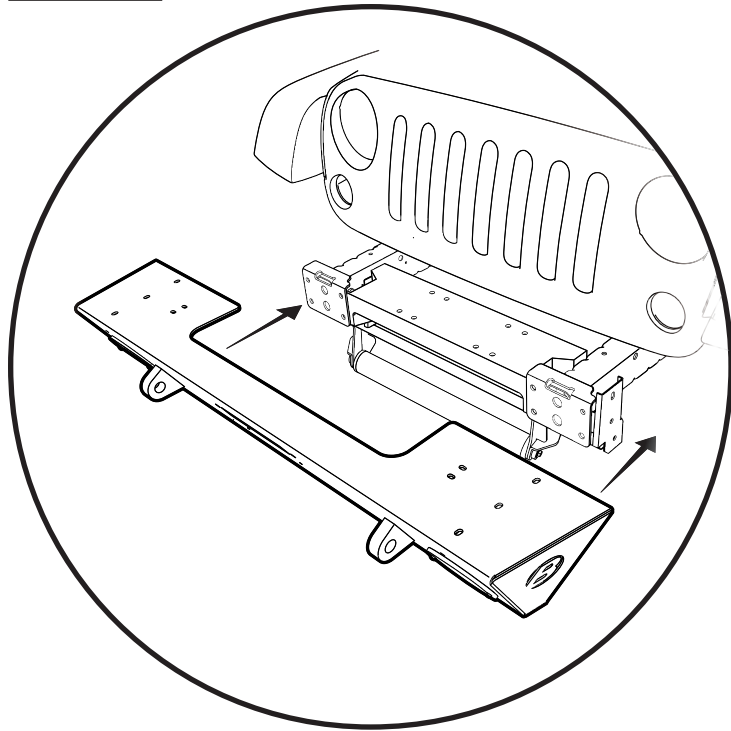
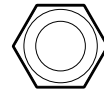
NOTE:
Bumper must be removed from the vehicle (NOT Winch Plate) to perform this installation

Step 2	527.81	522.34	522.33
---------------	--------	--------	--------

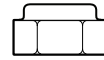


Step 2

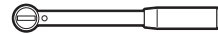
- ① Place the Stud Brackets #527.81 inside the horizontal vehicle frame member, and insert the stud into the hole at each end of the horizontal frame member.
- ② Slide the Inner Roller Brackets up and behind the vehicle bumper mounting plates, making sure that the two holes in the Roller Bracket are aligned with the two inboard holes in each mounting plate.
- ③ Slide the rear tab of the Outer Right and Left Roller Brackets #522.33 and #522.34 onto the studs where they protrude from the back side of the horizontal frame member, and loosely secure the Outer Roller Brackets in place with one (1) M8 Nylon Lock Nut on each stud.

Step 1**Hardware**

M10 Nylon Lock Nut
Part #422.76
Qty. 10



M10 Flat Washer
Part #422.77
Qty. 8

Tools

Socket Wrench



13mm Socket



16mm Socket

Step 1

Re-Attach the Front Bumper. The studs on the inside of the Bumper will fit through the holes in the bumper mounting plates and through the holes in the Inner Roller Brackets.

Use the M10 Nylon Lock Nuts and M10 Flat Washers that you set aside when you removed the Bumper to secure the Bumper to the vehicle frame.

For additional instructions about attaching the Bumper, see the 44945 Installation Guide that came with your Bumper.

Tighten all fasteners at this time.



Installation Instructions Front Bumper Approach Roller

Vehicle Application:
Jeep® Wrangler 2007-2017
Part Number 44947

LIMITED WARRANTY

We warrant our product to be free from defects in material and workmanship, for the terms specified below, provided there has been normal use and proper maintenance. This warranty applies to the original purchaser only. All remedies under this warranty are limited to the repair or replacement of any item or items found by the factory to be defective within the time period specified. If you have a warranty claim, first you must call our factory at the number below for instructions. You must retain proof of purchase and submit a copy with any items returned for warranty work. Upon completion of warranty work, if any, we will return the repaired or replaced item or items to you freight prepaid. Damage to our products caused by accidents, fire, vandalism, negligence, misinstallation, misuse, Acts of God, or by defective parts not manufactured by us, is not covered under this warranty.

THE WARRANTY TIME PERIOD IS AS FOLLOWS FOR REPLACE-A-TOP™, SAILCLOTH REPLACE-A-TOP™, SUPERTOP®, SUPERTOP® REPLACEMENT SKINS, SUNRIDER®, AND TIGERTOP®: TWO YEARS FROM DATE OF PURCHASE.

THE WARRANTY TIME PERIOD IS AS FOLLOWS FOR ALL OTHER "SOFT GOODS" MANUFACTURED BY OUR COMPANY (USING PRIMARILY VINYL, PLASTICS, AND/OR FOAM): ONE YEAR FROM DATE OF PURCHASE.

THE WARRANTY TIME PERIOD IS AS FOLLOWS FOR ALL OTHER "HARD GOODS" MANUFACTURED BY OUR COMPANY (USING PRIMARILY METALS, PLASTICS, AND/OR FIBERGLASS): ONE YEAR FROM DATE OF PURCHASE.

ANY IMPLIED WARRANTIES OF MERCHANTABILITY AND/OR FITNESS FOR A PARTICULAR PURPOSE CREATED HEREBY ARE LIMITED IN DURATION TO THE SAME DURATION AND SCOPE AS THE EXPRESS WRITTEN WARRANTY. OUR COMPANY SHALL NOT BE LIABLE FOR ANY INCIDENTAL OR CONSEQUENTIAL DAMAGE.

Some states do not allow limitations on how long an implied warranty lasts, or the exclusion or limitation of incidental or consequential damages, so the above limitations or exclusions may not apply to you. This warranty gives you specific legal rights, and you may also have other rights which vary from state to state.