



Installation Instructions Modular Bumper - Front

Vehicle Application:
Jeep® Wrangler 2007-2017
Part Number 44945

Installation Tips

Before you begin installing your new Modular Bumper, please read all the instructions thoroughly.



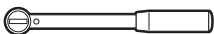


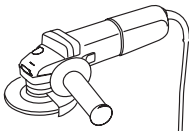
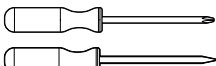





WARNING Do not rely in any way on the components of this product to protect against injury or death in the event of an accident. Never operate the vehicle in excess of manufacturer's specifications.

Read and follow, precisely, all installation instructions provided when installing this product. Failure to do so may result in a poor fit and could place occupants of the vehicle in a potentially dangerous situation.



WEAR SEAT BELTS AT ALL TIMES

CAUTION Safety glasses should be worn at all times when installing this product.

Tools				Installation Time			
 Safety Glasses	 18mm - 3/8" Wrench	 Socket Wrench	 10mm - 15mm 16mm - 18mm 3/8" - 1/2" Sockets		1-1/2 hours		
 Angle Grinder	 Phillips and Flat Blade Screwdrivers	 Pliers					
				Skill Level			
							
				3 - Moderately Difficult			

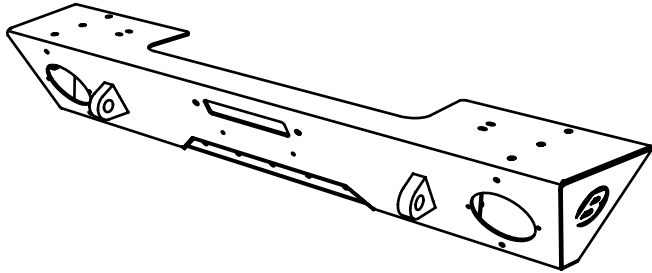
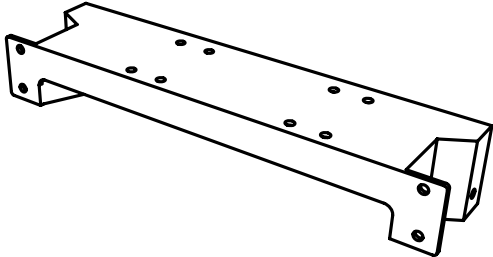
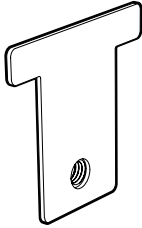
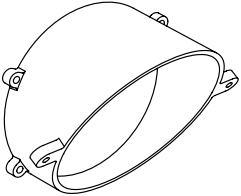
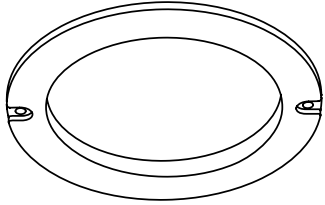
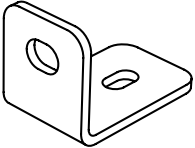
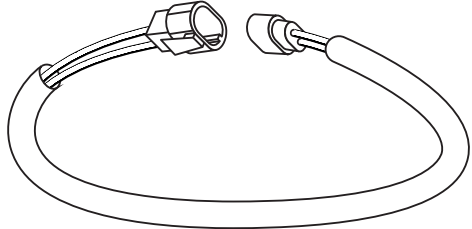


Installation Instructions Modular Bumper - Front

Vehicle Application:
Jeep® Wrangler 2007-2017
Part Number 44945

Parts List

- Required parts for installation

Sections 2 to 6		Bumper, Light Housings, Light Rings, Winch Plate, T-Plates		Pages 5 to 9 of Guide	
	Front Bumper Part #518.76 Qty. 1		Winch Plate Part #518.71 Qty. 1		Threaded T-Plate Part #522.03 Qty. 2
Sections 2 to 7		Light Housings; Light Rings, Canister Bracket, Wiring Extension		Pages 5 to 10 of Guide	
	Light Housing Part #479.20 Qty. 2		Light Ring Part #479.21 Qty. 2		Vacuum Canister Bracket Part #522.04 Qty. 1
					Fog Light Wiring Extension Part #543.18 Qty. 2

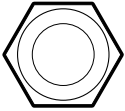
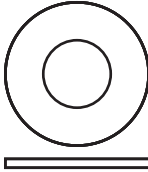
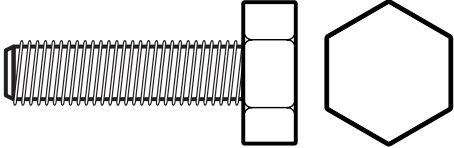
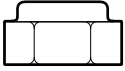
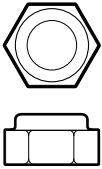
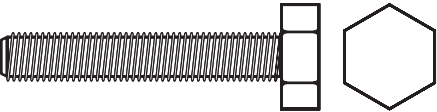
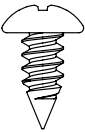
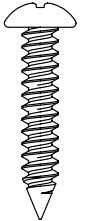


Installation Instructions Modular Bumper - Front

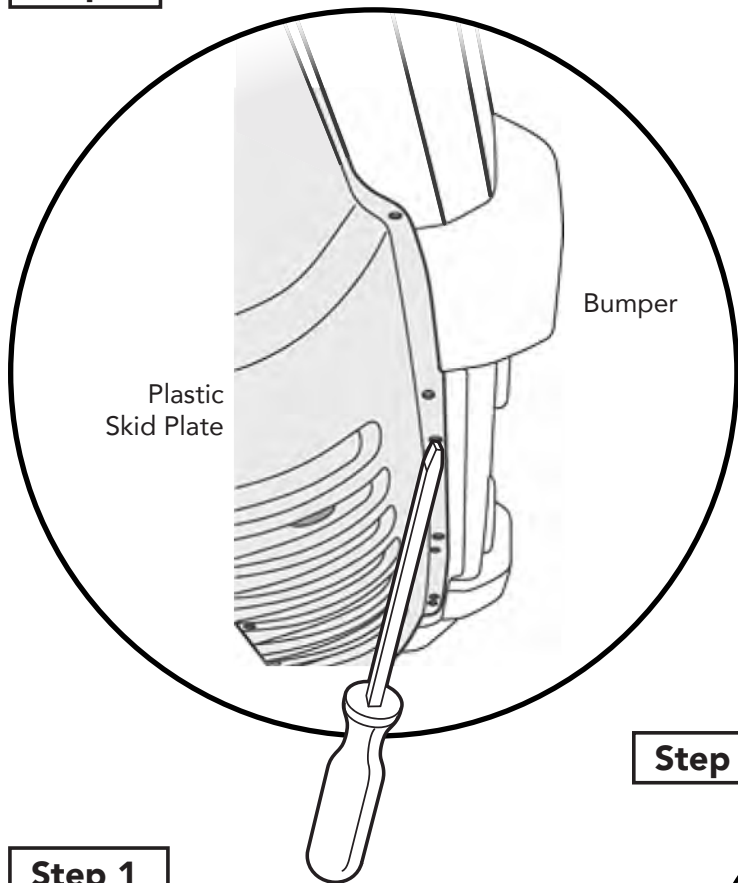
Vehicle Application:
Jeep® Wrangler 2007-2017
Part Number 44945

Parts List

- Required parts for installation

All Sections	Fastener Hardware	All Pages			
	M10 Nylon Lock Nut Part #422.76 Qty. 8		M12 Flat Washer Part #414.17 Qty. 2		M12 - 1.75x25mm Hex Head Bolt Part #527.80 Qty. 2
	M10 Flat Washer Part #422.77 Qty. 8		M8 Nylon Lock Nut Part #470.06 Qty. 1		M8 - 1.25x30mm Hex Head Bolt Part #522.02 Qty. 1
	#12x1/2" Pan Head Screw Part #486.49 Qty. 8				
	#10x1" Pan Head Screw Part #486.51 Qty. 4				

Step 1



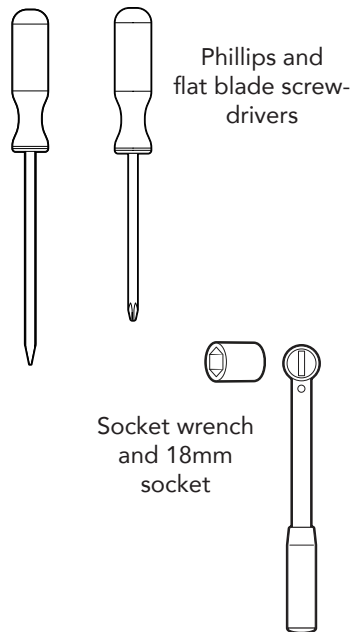
Step 1

Use a flat blade screwdriver or pliers to pry out the four (4) fasteners that secure the edge of the plastic skid plate.

Step 2

Use a Phillips screwdriver to remove the push fasteners that secure the brackets on the skid plate to the vehicle frame.

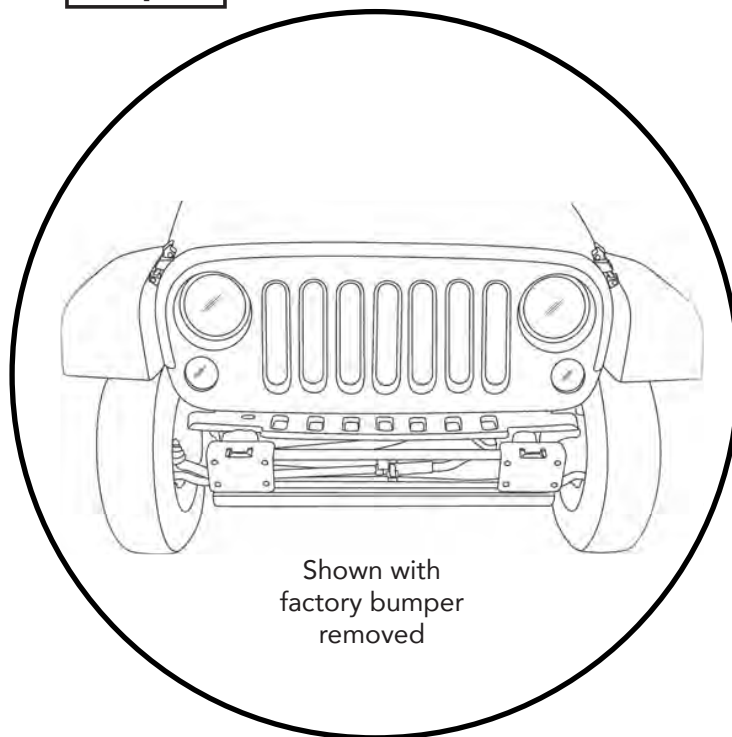
Tools



Phillips and flat blade screwdrivers

Socket wrench and 18mm socket

Step 3



Step 3

Use a socket wrench to remove the four (4) nuts on each side of the factory bumper that secure the bumper to the vehicle frame.

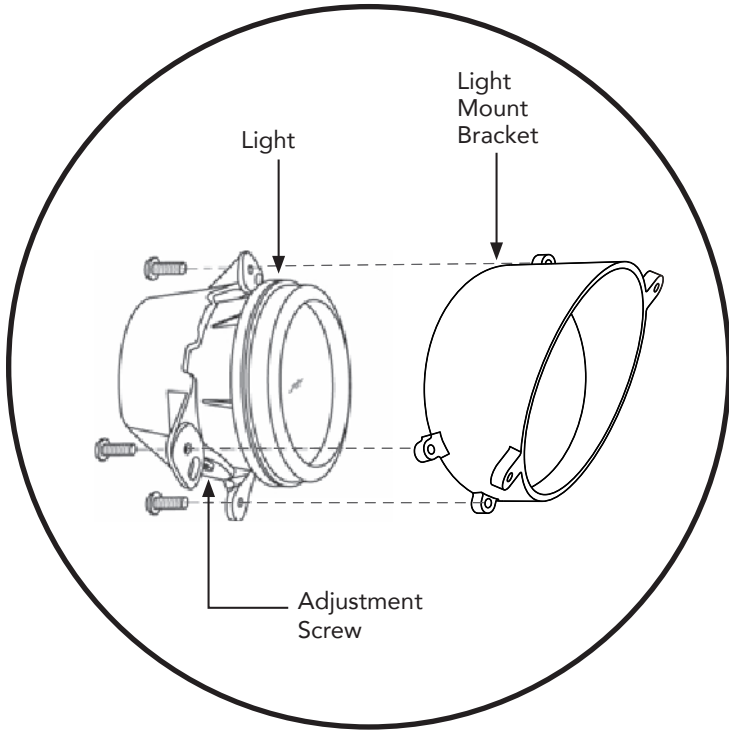
Access these nuts from behind the bumper.

Slide the bumper off the studs.

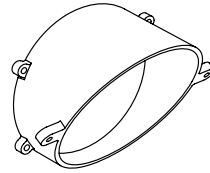
NOTE: View above shown with bumper removed to indicate location of nuts.

CAUTION If you have a Jeep® with factory fog lights, you must disconnect them before removing the factory bumper.

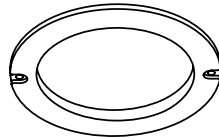
Step 1



Hardware



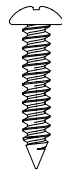
Light Housing
Part #479.20
Qty. 2



Light Ring
Part #479.21
Qty. 2

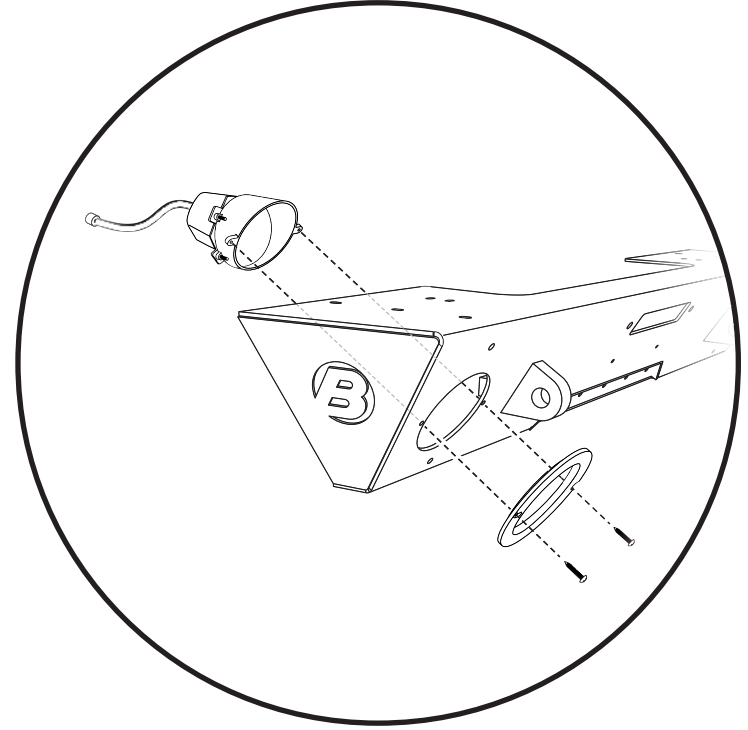


#12x1/2" Pan Head Screw
Part #486.49
Qty. 8



#10x1" Pan Head Screw
Part #486.51
Qty. 4

Step 2



Step 2

Attach each light assembly to the Bumper, using one Light Ring #479.21 with two (2) #10x1" Pan Head Screws #486.51 per light assembly.

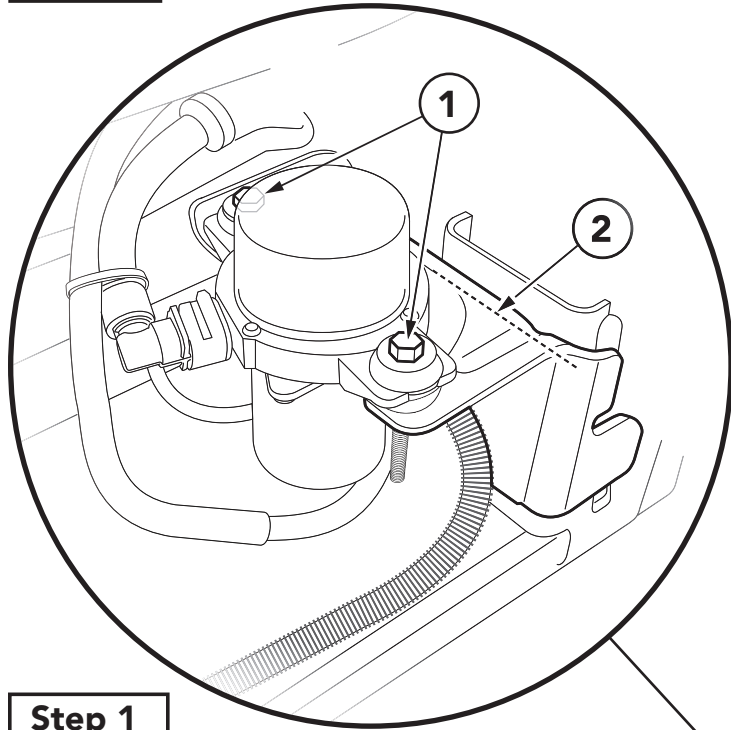
Step 1

Remove the fog lights from the original bumper.

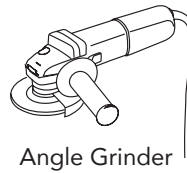
Use four (4) #12 x 1/2" Pan Head Screws #486.49 on each light to attach the light to a Light Housing #479.20.

Make sure that the light adjustment screw is facing down (toward the thinner section of the Light Housing).

Step 1



Tools

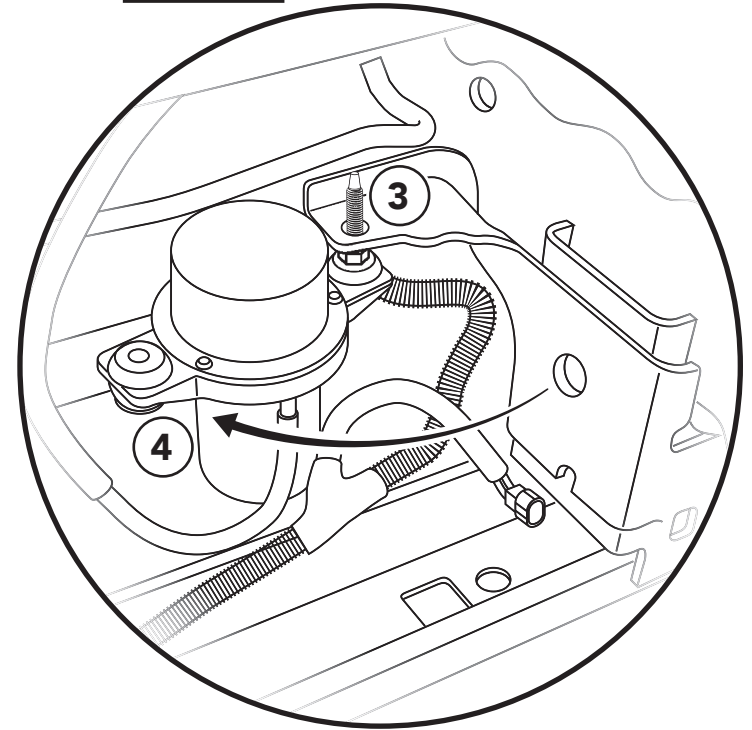


Angle Grinder



Socket wrench
and 10mm
socket

Step 2



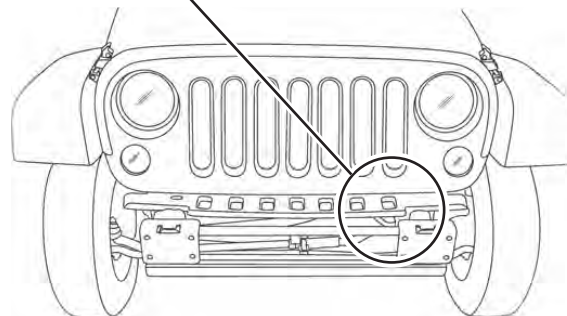
Step 1

- ① Remove the bolts indicated that attach the vacuum canister to the vehicle bracket, and move the canister away from the bracket. Set the bolts aside for later use.
- ② Using an angle grinder, cut off the tab on the bracket that the vacuum canister was bolted to, along a line indicated by the dashed line above. The tab must be ground completely off, so that the area where the tab was is completely flush with the vertical flange of the bracket.

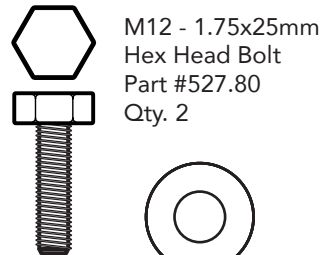
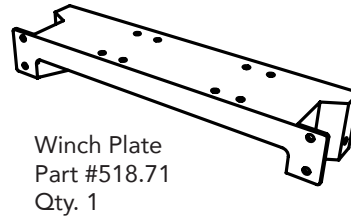
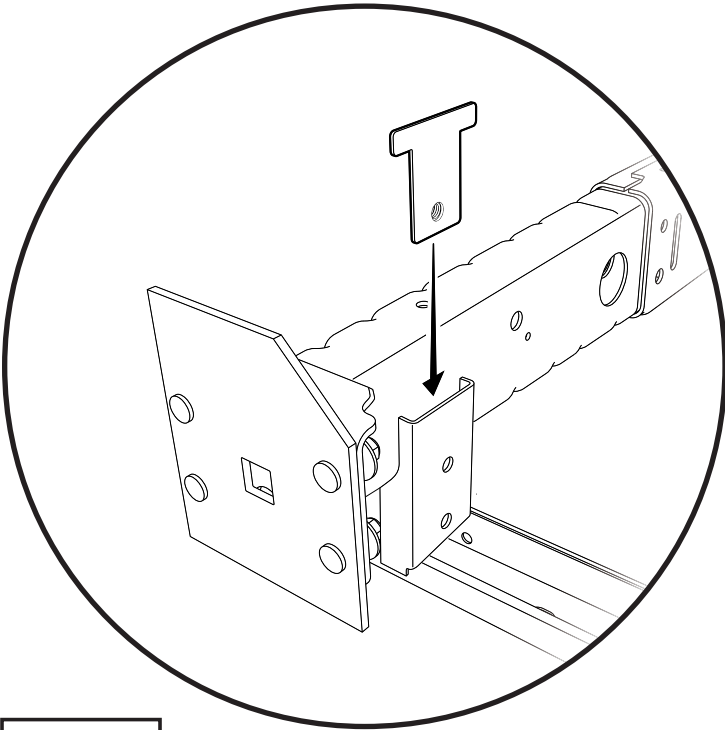
NOTE: Apply a protective coat of paint after cutting away the vacuum canister bracket tab to prevent corrosion.

Step 2

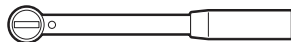
- ③ Replace the bolt at the back of the vacuum canister, which attaches the canister to the vehicle bracket, and install it upside down, from the bottom up, and with the flange on the canister underneath the bracket tab.
- ④ Swivel the canister 90° as shown above. The remaining flange on the canister will attach to a provided bracket later in the installation process.



Step 1 518.71



Tools



Socket wrench
and 18mm
socket

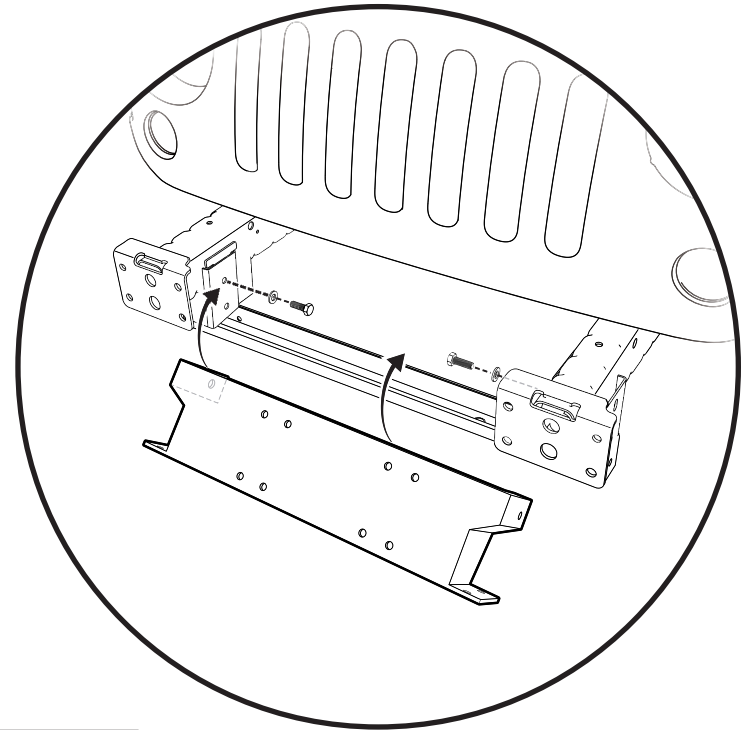
Step 1

Drop a Threaded T-Plate into the pocket in the vehicle frame as shown above (left side shown).

The weld-nut on the T-Plate should be on the side facing away from the center of the vehicle.

Repeat this on the right side of the vehicle.

Step 2 518.71



Step 2

- Slide the Winch Plate #518.71 in between the vehicle frame members from underneath, and then rotate the front part of the winch plate up and into place.

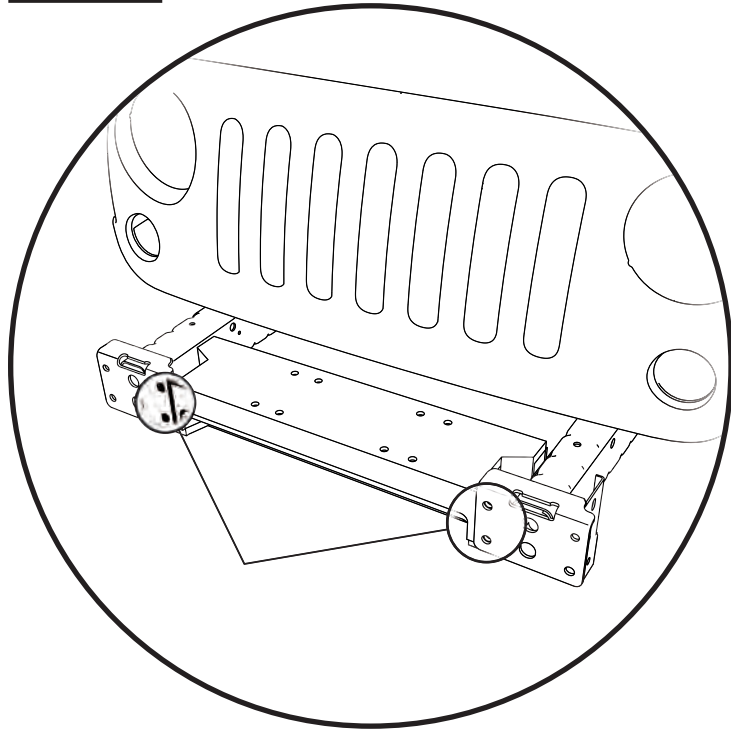
Align the holes in the Winch Plate with the holes in the vehicle frame members and with the holes in the T-Plates.

- Use two (2) M12-1.75x25 Hex Head Bolts #527.80 and two (2) M12 Flat Washers # 414.17 to loosely secure the Winch Plate in place - do not tighten these fasteners at this time.

You may need to use a hammer and a wood block to nudge the Winch Plate into place.

If the Winch Plate won't slide into position, check to see if you ground enough of the vacuum canister bracket tab off.

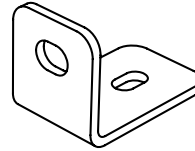
Step 1



Step 1

The Winch Plate will be in the correct position when the holes in the vehicle bumper mounting plates indicated above are aligned with the holes in the Winch Plate.

Hardware



Vacuum Canister Bracket
Part #479.21
Qty. 1

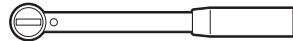


M8 Nylon Lock Nut
Part #470.06
Qty. 1



M8 - 1.25x30mm
Hex Head Bolt
Part #522.02
Qty. 1

Tools



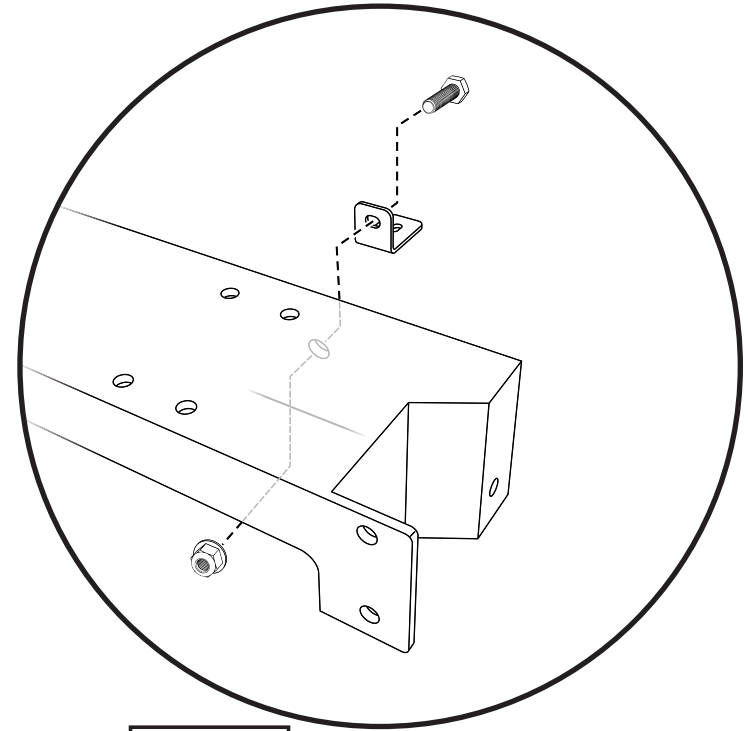
Socket wrench
and 13mm
socket

Step 2

479.21

522.02

470.06



Step 2

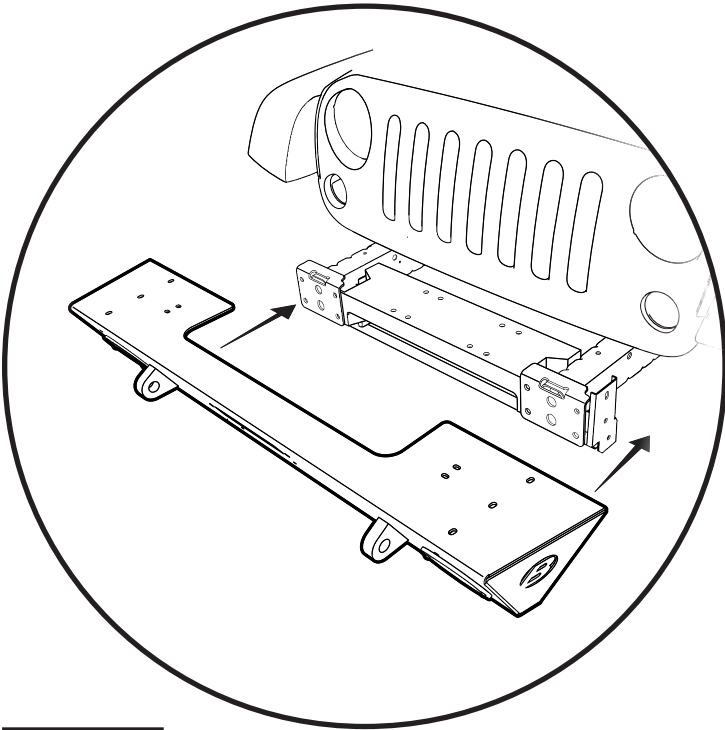
Attach the Vacuum Canister Bracket #479.21 to the back side of the Winch Plate, using one (1) M8-1.25x30 Hex Head Bolt #522.02 and one (1) M8 Nylock Nut #470.06.

Use the bolt you removed from the vacuum canister bracket in an earlier step to attach the vacuum canister to the Vacuum Canister Bracket.

The canister flange will sit below the Vacuum Canister Bracket, and the bolt will be installed from the bottom of the bracket.

The vehicle is not shown in the above diagram for clarity.

Step 1 518.76



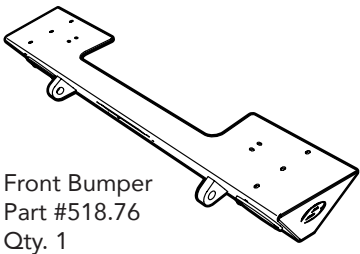
Step 1

Slide the Bumper onto the vehicle bumper mounting plates.

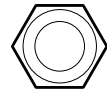
There are four (4) studs on each side of the bumper. These studs go through the four (4) holes in each bumper mounting plate.

NOTE: It may require two people to slide the Bumper into place.

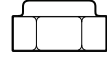
Hardware



Front Bumper
Part #518.76
Qty. 1

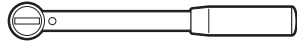


M10 Nylon Lock Nut
Part #422.76
Qty. 10



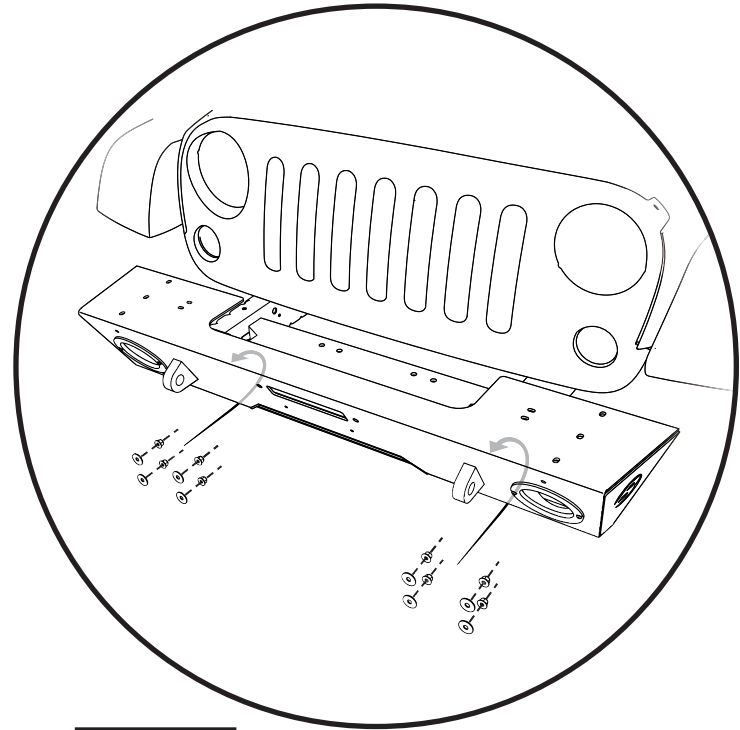
M10 Flat Washer
Part #422.77
Qty. 8

Tools



Socket wrench
and 16mm
socket

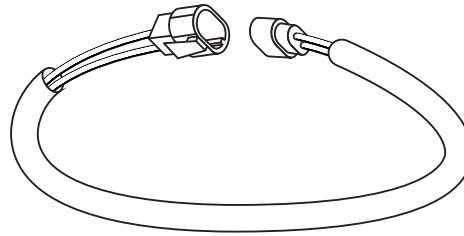
Step 2 422.76 422.77



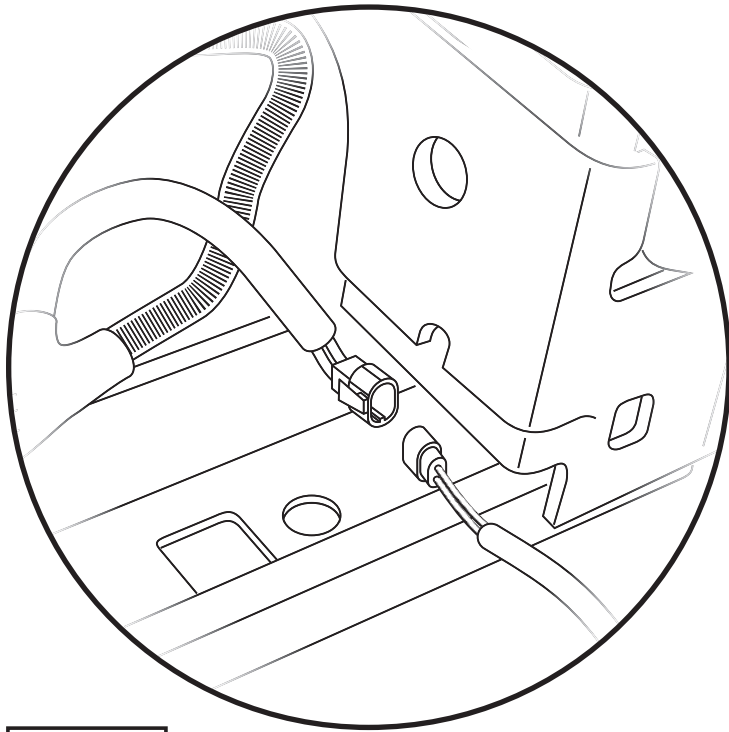
Step 2

Secure the Bumper to the vehicle bumper mounting plates with eight (8) M10 Nylon Lock Nuts #422.76 and eight (8) M10 Flat Washers #422.77.

Tighten all fasteners at this time.

Step 1 543.18**Hardware**

Fog Light Wiring Extension
Part #543.18
Qty. 2

**Step 1**

Plug the Fog Light Wiring Extensions #543.18 into the light connector pigtails, and into the vehicle wiring harness.

Check that the Fog Lights work.



Installation Instructions Modular Bumper - Front

Vehicle Application:
Jeep® Wrangler 2007-2017
Part Number 44945

LIMITED WARRANTY

We warrant our product to be free from defects in material and workmanship, for the terms specified below, provided there has been normal use and proper maintenance. This warranty applies to the original purchaser only. All remedies under this warranty are limited to the repair or replacement of any item or items found by the factory to be defective within the time period specified. If you have a warranty claim, first you must call our factory at the number below for instructions. You must retain proof of purchase and submit a copy with any items returned for warranty work. Upon completion of warranty work, if any, we will return the repaired or replaced item or items to you freight prepaid. Damage to our products caused by accidents, fire, vandalism, negligence, misinstallation, misuse, Acts of God, or by defective parts not manufactured by us, is not covered under this warranty.

THE WARRANTY TIME PERIOD IS AS FOLLOWS FOR REPLACE-A-TOP™, SAILCLOTH REPLACE-A-TOP™, SUPERTOP®, SUPERTOP® REPLACEMENT SKINS, SUNRIDER®, AND TIGERTOP®: TWO YEARS FROM DATE OF PURCHASE.

THE WARRANTY TIME PERIOD IS AS FOLLOWS FOR ALL OTHER "SOFT GOODS" MANUFACTURED BY OUR COMPANY (USING PRIMARILY VINYL, PLASTICS, AND/OR FOAM): ONE YEAR FROM DATE OF PURCHASE.

THE WARRANTY TIME PERIOD IS AS FOLLOWS FOR ALL OTHER "HARD GOODS" MANUFACTURED BY OUR COMPANY (USING PRIMARILY METALS, PLASTICS, AND/OR FIBERGLASS): ONE YEAR FROM DATE OF PURCHASE.

ANY IMPLIED WARRANTIES OF MERCHANTABILITY AND/OR FITNESS FOR A PARTICULAR PURPOSE CREATED HEREBY ARE LIMITED IN DURATION TO THE SAME DURATION AND SCOPE AS THE EXPRESS WRITTEN WARRANTY. OUR COMPANY SHALL NOT BE LIABLE FOR ANY INCIDENTAL OR CONSEQUENTIAL DAMAGE.

Some states do not allow limitations on how long an implied warranty lasts, or the exclusion or limitation of incidental or consequential damages, so the above limitations or exclusions may not apply to you. This warranty gives you specific legal rights, and you may also have other rights which vary from state to state.