



Installation Instructions Grill Guard

Vehicle Application:
Jeep® Wrangler 2007-2017
Part Number 44944

Installation Tips

Before you begin installing your new Grill Guard, please read all the instructions thoroughly.







WARNING Do not rely in any way on the components of this product to protect against injury or death in the event of an accident. Never operate the vehicle in excess of manufacturer's specifications.

Read and follow, precisely, all installation instructions provided when installing this product. Failure to do so may result in a poor fit and could place occupants of the vehicle in a potentially dangerous situation.



WEAR SEAT BELTS AT ALL TIMES

CAUTION Safety glasses should be worn at all times when installing this product.

Tools		Installation Time		
 Safety Glasses	 13mm Wrench	 1/2 hour	Skill Level	
 Ratchet	- OR -  13mm Socket		 1 - Easy	

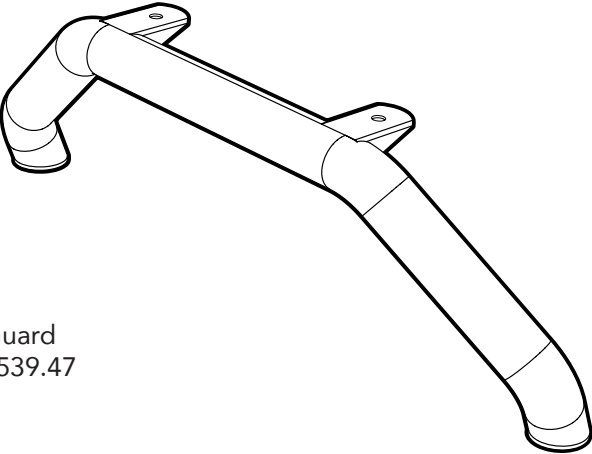


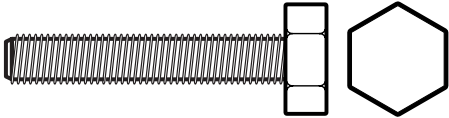
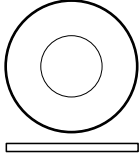
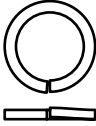
Installation Instructions Grill Guard

Vehicle Application:
Jeep® Wrangler 2007-2017
Part Number 44944

Parts List

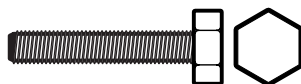
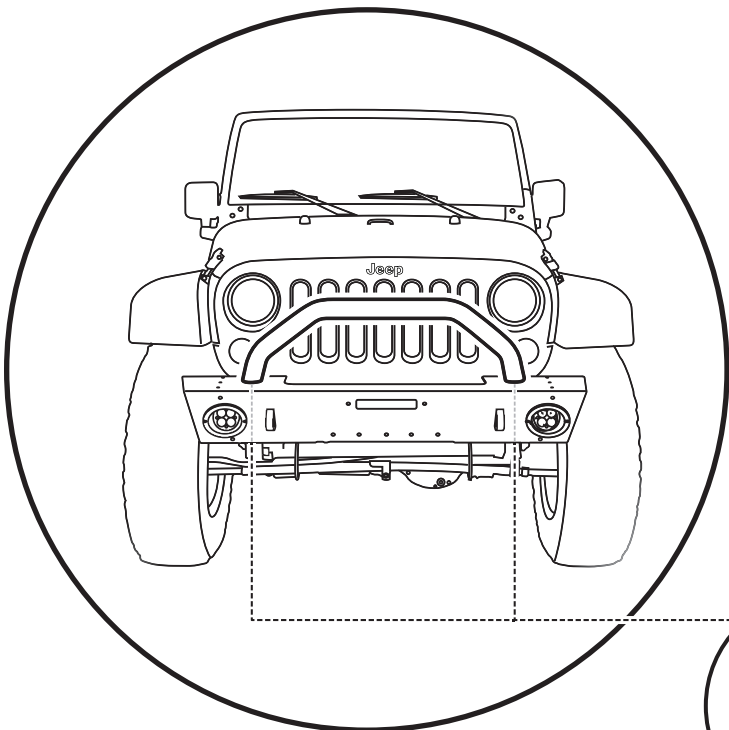
- Required parts for installation

Section 1	Grill Guard	Page 3 of Guide
		
<p>Grill Guard Part #539.47 Qty. 1</p>		

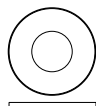
Section 1	Fasteners	Page 3 of Guide
		
<p>M8-1.25x30 Hex Head Bolt Part #473.18 Qty. 4</p>	<p>M8 Flat Washer Part #414.27 Qty. 4</p>	<p>M8 Split Lock Washer Part #414.28 Qty. 4</p>

Step 1	539.47	473.18	414.27	414.28
---------------	--------	--------	--------	--------

Hardware



M8-1.25x30
Hex Head Bolt
Part #473.18
Qty. 4



M8 Flat Washer
Part #414.27
Qty. 4

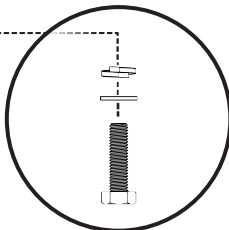


M8 Split Lock Washer
Part #414.28
Qty. 4

Tools



Socket wrench
and 13mm
socket



Two per Side

Step 1

Place the Grill Guard #539.47 onto the Bumper, aligning the bottom of the Grill Guard tubes with the small holes in the top surface of the Bumper. The light tabs should be on the rear.

Attach the Grill Guard to the Bumper using four (4) M8-1.25x30 Hex Head Bolts, four (4) M8 Washers #414.27, and four (4) M8 Split Lock Washers #414.28.

Securely fasten all hardware.



Installation Instructions Grill Guard

Vehicle Application:
Jeep® Wrangler 2007-2017
Part Number 44944

LIMITED WARRANTY

We warrant our product to be free from defects in material and workmanship, for the terms specified below, provided there has been normal use and proper maintenance. This warranty applies to the original purchaser only. All remedies under this warranty are limited to the repair or replacement of any item or items found by the factory to be defective within the time period specified. If you have a warranty claim, first you must call our factory at the number below for instructions. You must retain proof of purchase and submit a copy with any items returned for warranty work. Upon completion of warranty work, if any, we will return the repaired or replaced item or items to you freight prepaid. Damage to our products caused by accidents, fire, vandalism, negligence, misinstallation, misuse, Acts of God, or by defective parts not manufactured by us, is not covered under this warranty.

THE WARRANTY TIME PERIOD IS AS FOLLOWS FOR REPLACE-A-TOP™, SAILCLOTH REPLACE-A-TOP™, SUPERTOP®, SUPERTOP® REPLACEMENT SKINS, SUNRIDER®, AND TIGERTOP®: TWO YEARS FROM DATE OF PURCHASE.

THE WARRANTY TIME PERIOD IS AS FOLLOWS FOR ALL OTHER "SOFT GOODS" MANUFACTURED BY OUR COMPANY (USING PRIMARILY VINYL, PLASTICS, AND/OR FOAM): ONE YEAR FROM DATE OF PURCHASE.

THE WARRANTY TIME PERIOD IS AS FOLLOWS FOR ALL OTHER "HARD GOODS" MANUFACTURED BY OUR COMPANY (USING PRIMARILY METALS, PLASTICS, AND/OR FIBERGLASS): ONE YEAR FROM DATE OF PURCHASE.

ANY IMPLIED WARRANTIES OF MERCHANTABILITY AND/OR FITNESS FOR A PARTICULAR PURPOSE CREATED HEREBY ARE LIMITED IN DURATION TO THE SAME DURATION AND SCOPE AS THE EXPRESS WRITTEN WARRANTY. OUR COMPANY SHALL NOT BE LIABLE FOR ANY INCIDENTAL OR CONSEQUENTIAL DAMAGE.

Some states do not allow limitations on how long an implied warranty lasts, or the exclusion or limitation of incidental or consequential damages, so the above limitations or exclusions may not apply to you. This warranty gives you specific legal rights, and you may also have other rights which vary from state to state.