

2006-2008 Volkswagen GTI & Audi A3 Off Road Down pipe Installation



Precision manufactured using aircraft quality T-304 stainless steel; this system is designed to endure years of heavy use. Installing a Borla Performance Exhaust System on your vehicle will eliminate the restrictive design of the stock exhaust, allowing your engine to discharge exhaust gas easier. The result is more horsepower and torque, longer engine life, and a distinctive throaty growl- all this, with easy bolt-on installation. These installation instructions have been written to help you in the installation of your Borla Performance Exhaust System. Please read it completely before installing your system.

Thank you for purchasing a Borla Performance Off Road Down Pipe

This Borla Performance Off Road Down Pipe (Part number 60502) has been designed for the 2006-2008 Volkswagen GTI and Audi A3 each equipped with a 2.0L Turbocharged 4 cylinder engine, front-wheel drive and automatic or manual transmissions.

FOR RACING USE ONLY. NOT LEGAL FOR USE ON PUBLIC ROADS.

Borla Performance Industries recommends that an exhaust shop or professional after market parts installer, who has all the necessary equipment, tools and experienced personnel needed for proper installation, should perform the installation of this system. However, if you decide to perform the installation, we recommend someone should help you. Ensure the installer uses all under car safety precautions including eye protection.

Please take time to read and understand the following...

By installing your Borla Performance Off Road Down Pipe, you indicate that you have read this document and you agree with the terms stated below.

It is the responsibility of the purchaser to follow all installation instruction guidelines and safety procedures supplied with your Borla Performance Off Road Down Pipe.

Borla Performance Industries assumes no responsibility for damages occurring from misuse, abuse, improper installation, improper operation, lack of responsible care, or all previously stated reasons resulting from incompatibility with other manufacturer's products and/or systems.

If you should have any questions regarding our installation, or any other matter pertaining to your new Borla Performance Exhaust System, please give us a call at the number provided on the top right corner of these installation instructions.

Minimum Required Tool List:

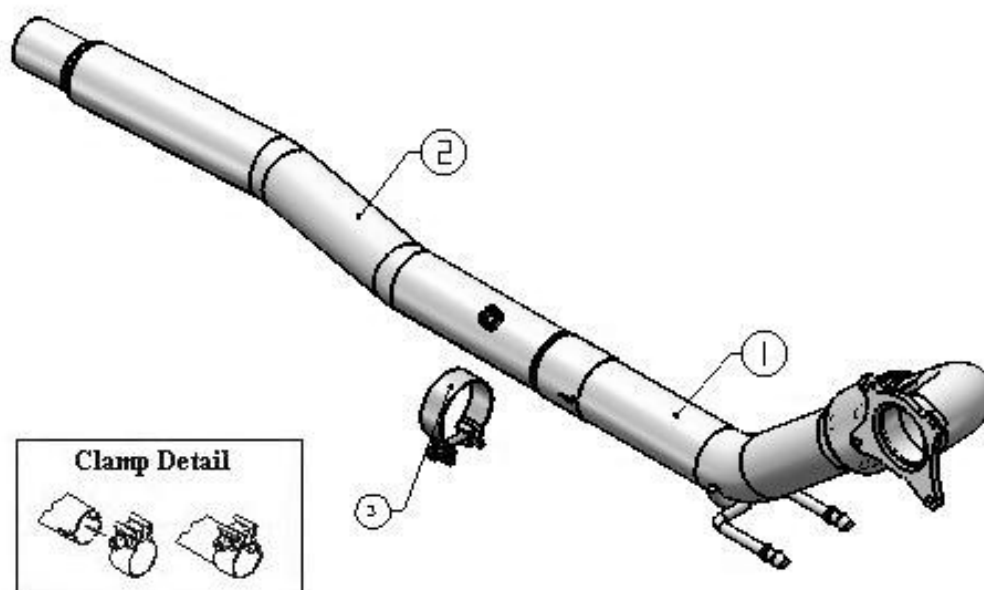
TOOLS:

- 1 3/8" Drive Ratchet
- 2 3/8" Drive Extension 3"
- 3 15mm Socket
- 4 13mm Socket

SHOP SUPPLIES:

- 1 Spray Lubricant

Borla Performance Off Road Down Pipe Bill of Materials



1. Front down pipe assembly
2. Rear down pipe assembly

Caution!!! *Never work on a hot exhaust system. Serious injury in the form of burns can result* If the vehicle has been in use and the exhaust system is hot, allow vehicle to cool for at least 1 hour. Always wear eye protection when working under any vehicle.

Note: It is our recommendation that you use a hoist or hydraulic lift to facilitate the installation of your new Borla Performance Off Road Down Pipe.

Taking all under car safety precautions, lift the vehicle using a hoist or hydraulic lift. Once this has been done, you may begin the removal of your old exhaust system from your vehicle.

Note: Before removing the original exhaust system from your vehicle, please compare the parts you have received with the bill of materials provided on the previous page to assure that you have all the parts necessary for the installation of your new Borla Performance Off Road Down Pipe.

Original Down Pipe Removal

Note: With a used vehicle, we suggest a penetrating spray lubricant to be applied liberally to all exhaust fasteners and allowing a significant period of time for the chemical to lubricate the threads before attempting to disassemble.

1. Unbolt and remove the oxygen sensors located at the front and rear catalytic converters.
2. Unbolt the flange shown on figure 1 and set the hardware and gasket aside for use during the installation of your new Off Road Down Pipe.
3. Unbolt the rubber isolator bracket shown in figure 2 from the vehicle .
4. Loosen the clamp shown in figure 3 located at the rear of your original down pipe. Place the clamp to the side for use during the installation of your new Off Road Down Pipe.
5. Remove the original down pipe from the vehicle as shown in figure 4.

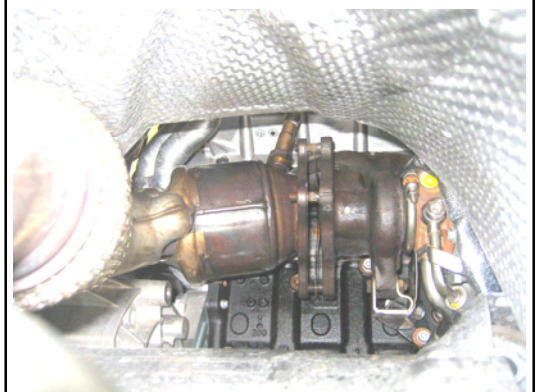


Figure 1

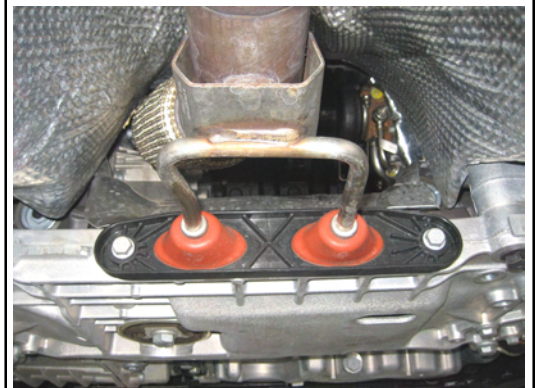


Figure 2

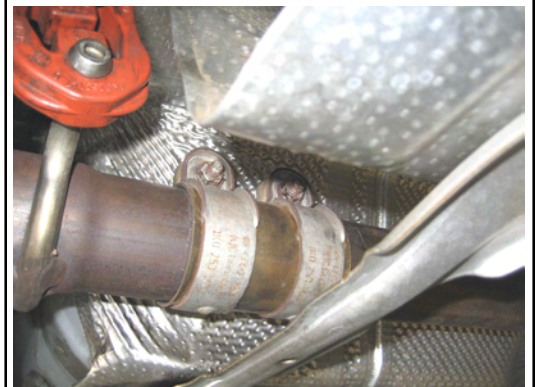


Figure 3

Warning: Use extreme caution during installation. Torque all fasteners according to manufacturer's torque values and tightening sequence. **DO NOT** use air impact tools to tighten fasteners on Borla Performance Exhaust Systems. Use of such tools may result in bent flanges or gasket contact areas leading to exhaust leaks.



Figure 4

Borla Performance Off Road Down Pipe Installation

1. Remove the rubber isolator bracket from the original down pipe and install it onto the front down pipe assembly.
2. Install the front pipe assembly onto your vehicle using the original flange hardware and gasket and secure the rubber isolator bracket to the vehicle using the original hardware. Hand tighten the hardware for now.
3. Place the clamp over the expanded end of your rear down pipe assembly and set it into position sliding it over the front down pipe assembly. Using the original clamp, connect the down pipe to the original exhaust. Hand tighten the clamps for now.
4. Check your exhaust for proper clearance under the vehicle and also for tip alignment.
5. Once the position has been determined to be correct, tighten the Accuseal™ clamps to 32-35 ft. lbs. making sure the clamp openings are not over any of the notches in the pipe. Tighten the flange hardware and rubber isolator bracket hardware to 18-22 ft. lbs.
6. Before starting your vehicle, make sure to check all wires, hoses, brake lines, body parts and tires for safe clearance from the exhaust system.
7. Start vehicle and check for any leaks. If any leaks are found, determine cause (such as loose hardware or incorrectly positioned clamp) and repair as necessary..

Note: When you first start your vehicle after the installation of your new Borla Performance Exhaust System, there may be some smoke and fumes coming from the system. This is a protective oil based coating used in the manufacturing of mandrel bent performance exhaust tubing. This is not a problem and will disappear within a very short period of time after the exhaust has reached normal operating temperatures.