



# Installation Instructions TC5507 Bracket Kit

Serial No.

The TC35270 steering control unit is recommended for use with this bracket kit.

1. Set front wheels of vehicle in straight ahead position and remove factory steering dampener. This dampener is not shown, refer to the arrow locations to see where dampener was installed. Refer to Figures 1 & 2.
2. Attach Anchor Bracket, (Item 2) to the frame rail beam using the 5/8" bolt, lock and flat washers, (Items 12, 13 and 14) as shown in the drawing on page 4. **Be sure to use loctite on all bolts before tightening. Tighten all bolts according to torque chart below.** Refer to Figures 3 & 4.
3. Install Tie Rod Bracket, (Item 3) to the drag link that runs from the power steering box to the idler arm, using the 3/8" U-bolts and lock nuts, (Items 5 and 7) as shown in drawing on page 4. Leave slightly loose for length adjustment to the TruCenter. Refer to Figures 5 & 6.
4. Install solenoid end of TruCenter unit, (Item 1) to the Anchor Bracket, (Item 2) using the 1 1/2 Spacer, 3/4" bolt, nut, lock and flat washers, (Items 4, 6, 9, 10 and 11) see drawing on page 4. **Be sure to use loctite on all bolts before tightening. Tighten all bolts according to torque chart below.** Refer to Figures 7 & 8.
5. Install small end of TruCenter Unit, (Item 1) to Tie Rod Bracket, (Item 3) using the 3/4" bolt, nut, lock and flat washers, (Items 8, 9, 10 and 11) according to drawing on page 4. Refer to Figures 5 & 6. Fully tighten Tie Rod Bracket. **Be sure to use loctite on all bolts before tightening. Tighten all bolts according to torque chart below.**

*Check to be sure installed unit clears all other parts of vehicle by turning steering wheel to both extreme right and left positions. If unit scrapes or binds at any point, make necessary corrections by rotating unit on tie rod to obtain necessary clearance.*

6. Install TruCenter Steering Control wiring according to instructions included in its package. Refer to Figures 9 & 10.

## 7. DEALER OR INSTALLER: BE CERTAIN USER RECEIVES INSTRUCTION SHEET.

Torque in foot-pounds for inch bolts		
Bolt Size	Grade 5	Grade 8
1/4"	10	14
5/16"	19	29
3/8"	33	47
7/16"	54	78
1/2"	78	119
5/8"	154	230
3/4"	257	380

Torque in foot-pounds for metric bolts		
Bolt Size	Grade 8.8	Grade 10.9
6mm	6	8
8mm	16	22
10mm	31	40
12mm	54	70
14mm	89	117

*Insure that you use the proper TruCenter steering control unit for your application. Using too strong or too weak of a steering control may result in improper or undesirable handling.*

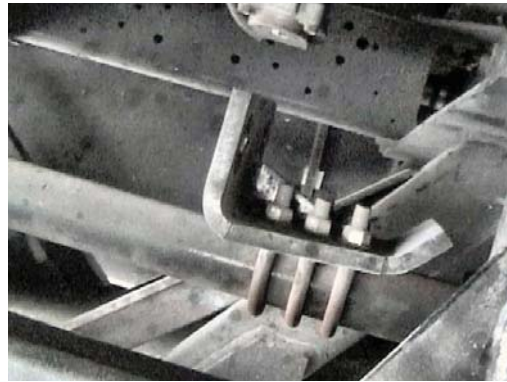
### Product Safety Policy Statement

*It is, and shall continue to be, a primary objective of Blue Ox Towing Products to provide customers with safe and reliable products. Blue Ox will, and has, established safety procedures in product design, manufacture, promotion and sales; and will coordinate efforts to promote customer safety to the greatest extent possible. Each department has primary responsibility for the promotion of safety under the guidelines of the Product Safety Committee.*

© 2003 Blue Ox  
 One Mill Road, Industrial Park  
 Pender, Nebraska 68047  
 Phone 402-385-3051  
 Toll Free 888-425-5382  
 Fax 402-385-3360  
 www.blueox.com



**Fig. 1**



**Fig. 2**



**Fig. 3**



**Fig. 4**



**Fig. 5**



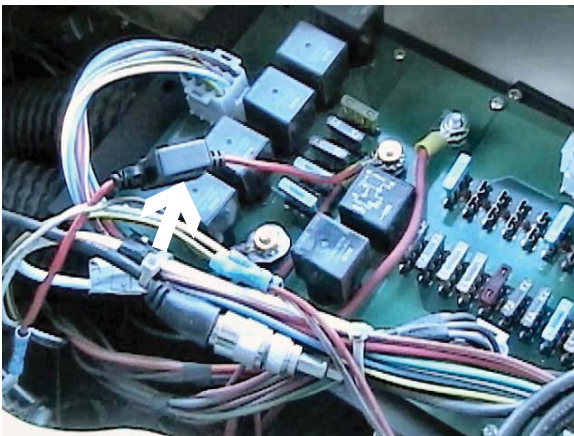
**Fig. 6**



**Fig. 7**

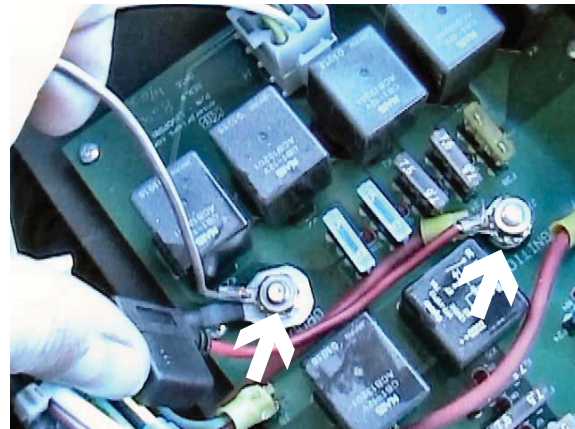


**Fig. 8**



**Fig. 9**

**Inline 15 Amp fuse**



**Fig. 10**

**Ground**

**12V Keyed  
Power Source**

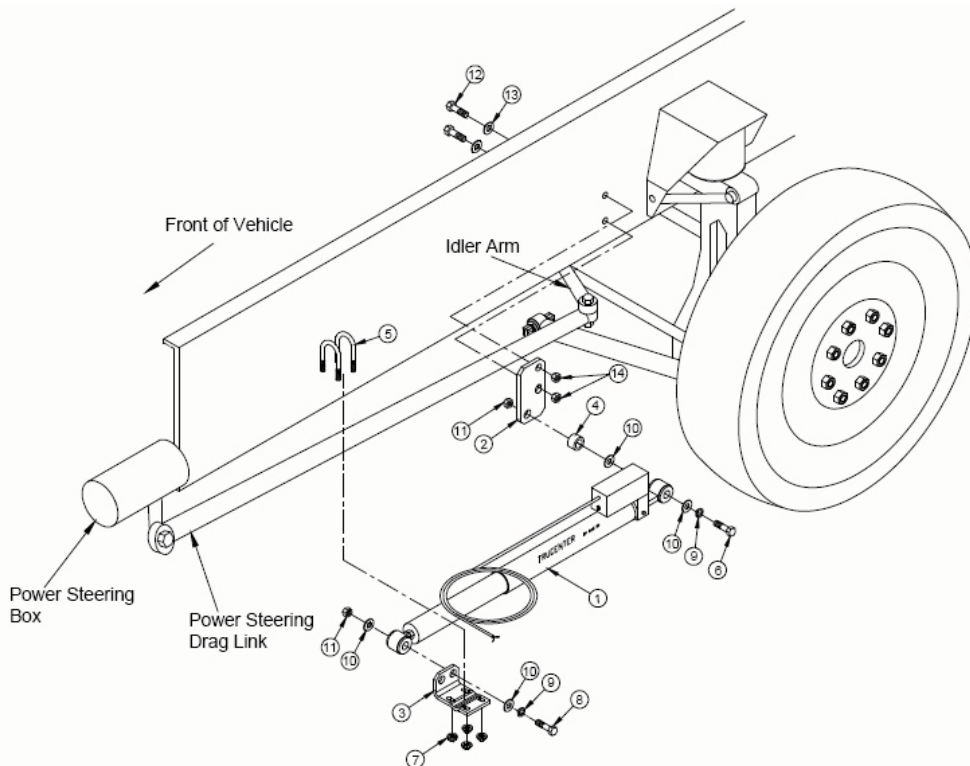
## Tools Required

9/16" Socket    3/4" Socket    3/4" Wrench    1 1/8" Socket    1 1/8" Wrench

## Parts List

Ref. No.	Qty.	Part No.	Description
1*	1	TC35270	TruCenter, Steering Control
2	1	102-6534	Flat, Anchor Bracket
3	1	102-6533	Flat, Tie Rod Bracket
4	1	107-2678	1 1/2 Spacer x 7/32 WA. x 1 1/2
5	2	201-0715	U-Bolt, 3/8-16 X 1.375 Gr5 ZP
5	2	201-0716	U-Bolt, 3/8-16 X 1.50 Gr5 ZP
5	2	201-0717	U-Bolt, 3/8-16 x 1.625, Grd 5, ZP
5	2	201-0718	U-Bolt, 3/8-16 X 1.75 Gr5 ZP
6	1	201-0347	3/4-10 x 5 Hex Bolt, Grd 8, ZP
7*	4	202-0180	Nut, 3/4-10, 1.59 Flange, Grd. 8, ZP
8*	1	201-0780	Bolt, 3/4-10 X 3 1/2, 1.59In Flange
9*	2	203-0014	3/4 Lock Washer, ZP
10*	8	203-0007	3/4 Flat Washer, ZP
11*	2	202-0086	3/4-10 Hex Cent. Dimp. Lock Nut, ZP
12	2	201-0763	5/8-11 x 2.5, Hex Bolt, Grd 8, ZP
13	2	203-0006	5/8 Flat Washer, ZP
14	2	202-0177	5/8-11 Flange Whiz Lock Nut, Grd 8, ZP
	2	202-0174	3/8-16, Cent. Dimp. Flng, Nut, ZP

*Note: Chassis shown may vary slightly from your individual installation.*



**IMPORTANT:** Use only genuine factory replacement parts on your bracket kit. Do not substitute homemade or nontypical parts. If a bolt is lost or in need of replacement, for your safety and the preservation of your bracket kit, be sure to use a replacement bolt of the same grade. Repair parts may be ordered through your nearest **Blue Ox** dealer or distributor.

