



## INSTALLATION INSTRUCTIONS

**MAKE:** Dodge / RAM

**MODEL:** 1500

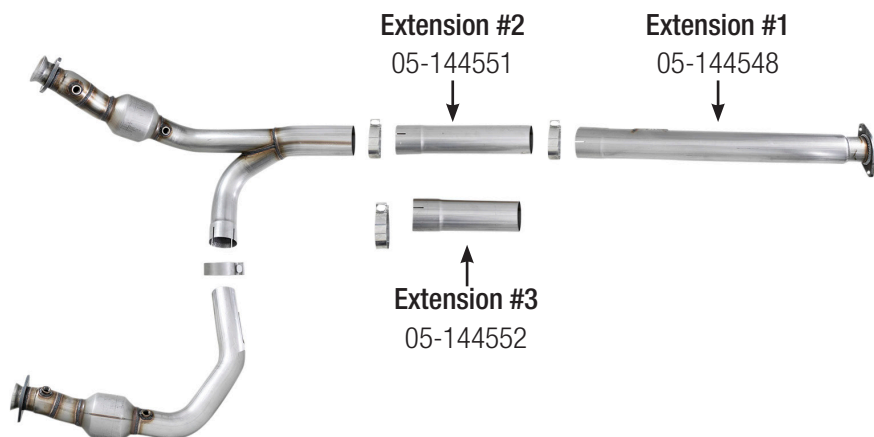
**YEAR:** 2019

**ENGINE:** V8-5.7L

### Y-Pipe:

48-42024-RC (Street Series)

48-42024-RN (Race Series)



### Parts Included:

- Left Y-Pipe  
(P/N: 05-144546) Street  
(P/N: 05-144549) Race
- Right Y-Pipe  
(P/N: 05-144547) Street  
(P/N: 05-144550) Race
- (P/N: 05-144548) Y-Pipe Extension #1
- (P/N: 05-144551) Y-Pipe Extension #2
- (P/N: 05-144552) Y-Pipe Extension #3

### Hardware Included:

- (P/N: 05-41055) 3" Band Clamp (x1)
- (P/N: 05-41171) 3-1/2" Band Clamp (x3)
- (P/N: 05-70022) O2 Extension (x2)
- (P/N: 05-60167) Ties, Nylon Cable 12" (x2)



### RACE ONLY DISCLAIMER

This is a Race Only product that is to be used solely for competition, it cannot be used on vehicles that are operated on public streets, roads or highways. Its use is limited to closed-course and open-course racing that is formally sanctioned by a recognized racing organization. Any other use, including recreational off-road use, could be in violation of local, state and federal laws. A competition acknowledgement / liability release form must be filled out and submitted.

**Caution:** aFe recommends professional installation on our products. Allow time for your vehicle to cool down prior to installation. When working on or under your vehicle proceed with caution. Exhaust systems reach high temperatures and may cause serious burns. Wear protective safety equipment; eye goggles and gloves to ensure a safe installation.

### Step 1: (Read instructions prior to installation.)

**Step 2:** Secure vehicle on jack stands (refer to your manual for specified jack stand positions).

**Step 3:** Disconnect the battery before starting work on the exhaust system.

**Step 4:** Loosen the muffler clamp on the exhaust system to muffler extension pipe.

**Step 5:** Remove exhaust from all hangers and remove from truck.

**Step 6:** Loosen the (2) 15mm bolts on the exhaust extension pipe to the Y-pipe.

**Step 7:** Remove the rubber hangers from the exhaust extension pipe remove the extension pipe.

**Step 8:** Un-plug O2 sensors on Y-pipe.

**Step 9:** Support the transfer case with an exhaust or transmission jack.

**Step 10:** Remove the (4) 12mm bolts that secure the transfer case mount.

**Step 11:** Remove the (4) 18mm nuts and bolts on each side of the crossmember and remove crossmember.

**Step 12:** Remove the (4) 15mm nuts on the Y-pipe to OE exhaust manifolds and remove OE Y-pipe.

**Step 13:** Install left aFe power, converter pipe and clamp on aFe power Right/Y-pipe merge.

**Step 14:** Remove O2 sensors from OE Y-pipe.

**NOTE: Mark O2 sensor to ensure they are installed in the same location.**

**Step 15:** Install O2's sensors on afe power Y-pipe in the same location as the OE Y-pipe.

**Step 16:** Install aFe power Y-pipe to OE manifolds using the original (4) 15mm bolts make finger tight only at this time.



## INSTALLATION INSTRUCTIONS

**MAKE:** Dodge / RAM

**MODEL:** 1500

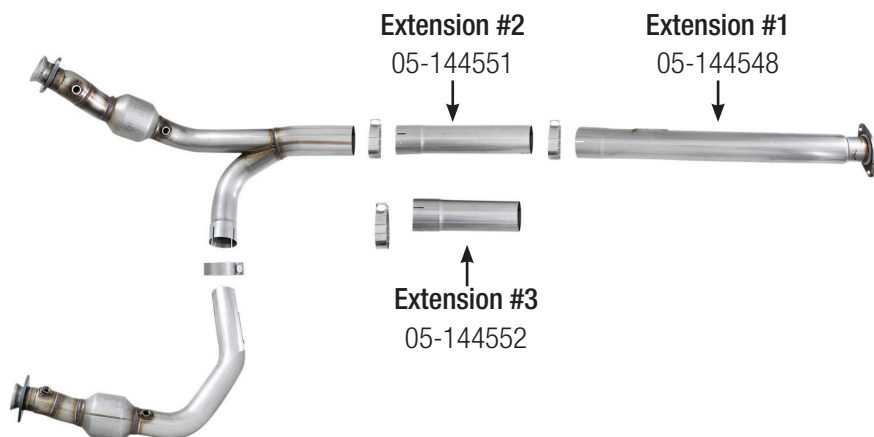
**YEAR:** 2019

**ENGINE:** V8-5.7L

### Y-Pipe:

48-42024-RC (Street Series)

48-42024-RN (Race Series)



### Parts Included:

- Left Y-Pipe  
(P/N: 05-144546) Street  
(P/N: 05-144549) Race
- Right Y-Pipe  
(P/N: 05-144547) Street  
(P/N: 05-144550) Race
- (P/N: 05-144548) Y-Pipe Extension #1
- (P/N: 05-144551) Y-Pipe Extension #2
- (P/N: 05-144552) Y-Pipe Extension #3

### Hardware Included:

- (P/N: 05-41055) 3" Band Clamp (x1)
- (P/N: 05-41171) 3-1/2" Band Clamp (x3)
- (P/N: 05-70022) O2 Extension (x2)
- (P/N: 05-60167) Ties, Nylon Cable 12" (x2)



### RACE ONLY DISCLAIMER

This is a Race Only product that is to be used solely for competition, it cannot be used on vehicles that are operated on public streets, roads or highways. Its use is limited to closed-course and open-course racing that is formally sanctioned by a recognized racing organization. Any other use, including recreational off-road use, could be in violation of local, state and federal laws. A competition acknowledgement / liability release form must be filled out and submitted.

**Caution:** aFe recommends professional installation on our products. Allow time for your vehicle to cool down prior to installation. When working on or under your vehicle proceed with caution. Exhaust systems reach high temperatures and may cause serious burns. Wear protective safety equipment; eye goggles and gloves to ensure a safe installation.

**Step 17:** Install the 3 1/2" band clamp on aFe power exhaust extension pipes and install on aFe power Y-pipe on vehicle using the stock rubber isolation mounts.

**NOTE:** use the #1 and #3 Extension Pipe for 140.5" wheel base, #1 and #2 Extension Pipe for 144.6" wheel base, and #1, #2, and #3 Extension Pipes for 153.5" wheel base.

**Step 18:** Tighten (4) 15mm bolts finger tight on aFe Y-pipe to OE exhaust manifolds.

**Step 19:** Re-install the cross member using the (4) 18mm nuts and bolts tighten completely.

**Step 20:** Tighten 3" band clamp on aFe power Y-pipe.

**NOTE: Make finger tight.**

**Step 21:** Plug in O2 sensor connectors and make sure O2 sensors and wires are clear of heat shields.

**Step 22:** Re-install exhaust system and fasten to aFe power Y-pipe extension pipe using the supplied hardware.

**Step 23:** Tighten the 3-1/2" band clamp on the y-pipe extension tube(s).

**NOTE: Make finger tight.**

**Step 24:** Once you have your desired alignment on the exhaust you may now tight ALL nuts, bolts, and clamps.

**Step 25:** Re-connect battery.

**Step 26:** Re-tighten all nuts, bolts, and clamps after 50-100 miles of use.

**Step 27:** Congratulations, your aFe Power Y-Pipe is now installed.