



YOSHIMURA

RESEARCH&DEVELOPMENT OF AMERICA, INC.

5420 DANIELS STREET STE A, CHINO CA 91710 · (800)634-9166 · (909)628-4722 · FACSIMILE (909)591-2198

WWW.YOSHIMURA-RD.COM

OFF-ROAD PERFORMANCE EXHAUST SYSTEM

Kawasaki
2012-2013
KX450F

244702D321 STAINLESS STEEL SLIP-ON WITH ALUMINUM SLEEVE



THIS PRODUCT IS DESIGNED FOR USE IN CLOSED COURSE RACING AND IS NOT INTENDED FOR ANY OTHER USE.



CAUTION: The muffler packing on this system MUST be replaced every 6-8 hours of use, or every 1-2 motos. Failure to follow recommended muffler re-packing interval can cause muffler damage and may void the warranty.



NOTE: IN THE STATE OF CALIFORNIA, IT IS ILLEGAL TO MODIFY THE EMISSION CONTROL SYSTEM, WHICH INCLUDES THE FUEL INJECTION OF ANY VEHICLE.

Caution: Exhaust system can be extremely hot. Let motorcycle cool down before beginning installation. Always wear hand and eye protection and take precautionary measures to avoid injury.

Note: Read through all instructions before beginning installation.

Tools Needed:

- Metric Socket Set
- Metric Wrench Set
- Ratchet Wrench and Extension
- Torque Wrench

Installation Steps:

1. Remove stock exhaust system.

- Remove right rear number plate (see Fig. 1 for bolt locations).
- Loosen exhaust clamp and slide forward onto header.
- Remove muffler mounting bolts and remove muffler. (See Fig. 2)
- Remove stock exhaust clamp from header.



Fig. 1

2. Install Yoshimura exhaust system

- Loosen stock header nuts (See Fig. 3).
- Remove spring between Yoshimura tailpipe and muffler assembly to ease installation.
- Install supplied exhaust clamp onto Yoshimura Tailpipe and set orientation as shown in parts diagram.
- Install rubber grommet and aluminum spacer into muffler mounting bracket. (Note: Aluminum spacer is meant to rest between muffler and subframe. See Fig. 4)
- Install Yoshimura tailpipe and muffler assembly onto stock header. See parts diagram for order of components for the muffler mounting location.
- Install stock bolt into tailpipe mounting bracket. Do not torque at this time.
- Check for correct orientation of header, tailpipe and muffler.



Fig. 2

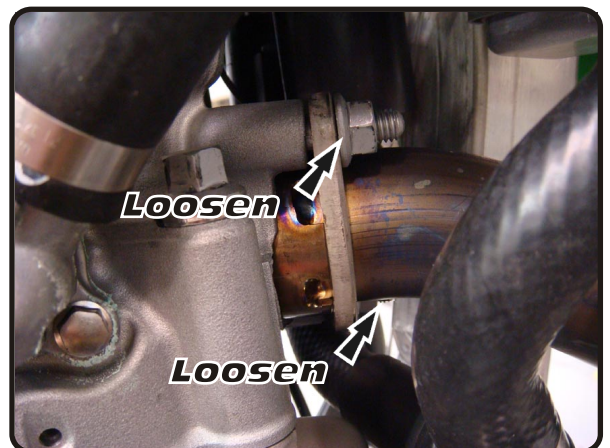


Fig. 3

- Tighten stock header nuts to 15 ft-lb (20 N-m).
- Torque tailpipe mounting bolt to 15 lb-ft (20 N-m).
- Torque muffler mounting bolt to 18 lb-ft (25 N-m).
- Install tailpipe to muffler spring.

3. *It is recommended that the muffler and tailpipe be wiped down with rubbing alcohol to remove oil and fingerprints. This will help prevent tarnishing of the finish after the exhaust is heated up.*
4. *Reinstall number plate using reverse steps of removal.*
5. *Before starting motorcycle, check for proper clearance between new exhaust system and rear suspension (i.e. tire, swingarm, brake, rear shock, etc). If any problem is found, please carefully follow through the installation steps again. If problem still persists, please call Yoshimura tech department at (800) 634-9166 / in CA (909) 628-4722.*

NOTE: *After starting motorcycle, it is normal for new exhaust system and muffler to emit smoke until oil residue burns off.*

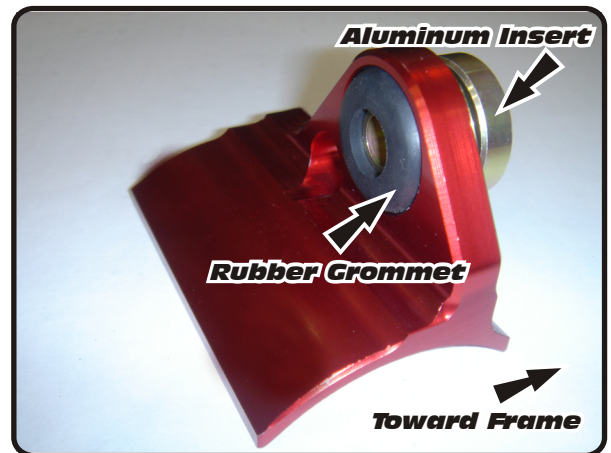
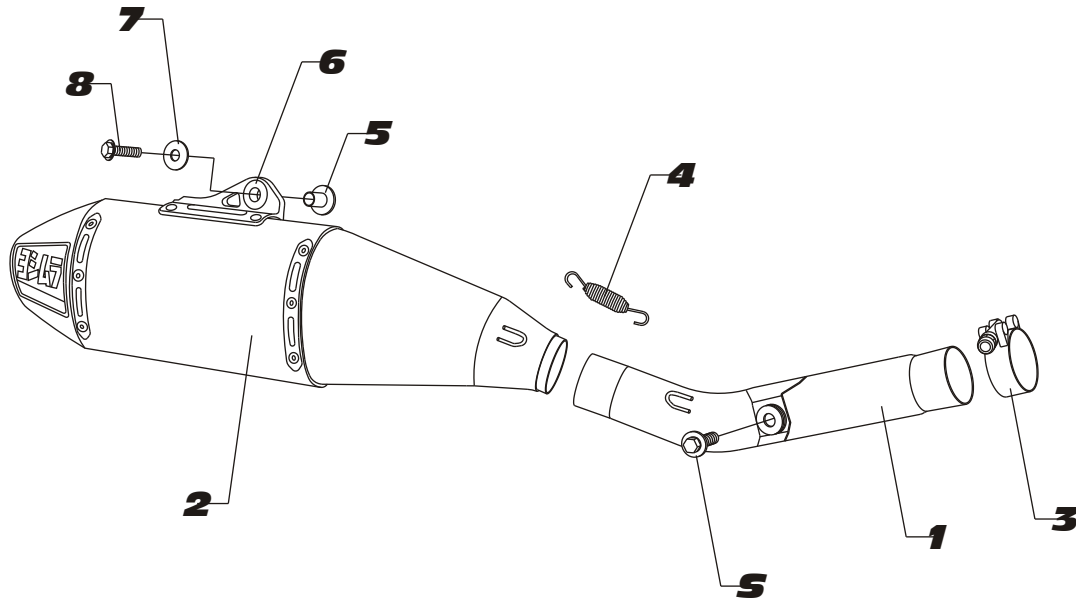


Fig. 4

#244702D321



S=STOCK

Parts Diagram

NO.	DESCRIPTION	QTY	PART #
1	Yoshimura Stainless Steel Tailpipe	1	24470-152
2	Yoshimura RS4 Stainless Steel/Aluminum Muffer	1	244702D321-RMA
3	Stainless Exhaust Clamp	1	27-62MSH
4	Medium Exhaust Spring	1	RACE-SPS-1
5	Aluminum Insert for Rubber Grommet	1	ALS-003
6	Muffer Mount Rubber Grommet	1	Z1022
7	8mm Large Washer	1	8MMWASHERL
8	8mm x 30mm Flange Bolt	1	M8X30H
**	AMA 94dB Sound Insert (Installed)	1	INS-16-K
**	2m-MAX Sound Insert	1	INS-2M26-K
**	Spring Puller Tool	1	ST-200
**	Yoshimura Offroad Endcap Plug	1	347PLUG
**	Yoshimura Vinyl Sticker	1	17029
OPTIONAL REPLACEMENT PARTS			
Spark Arrestor		SA-08-K	
Re-pack Kit		REPACK-RS4-PK11	



YOSHIMURA

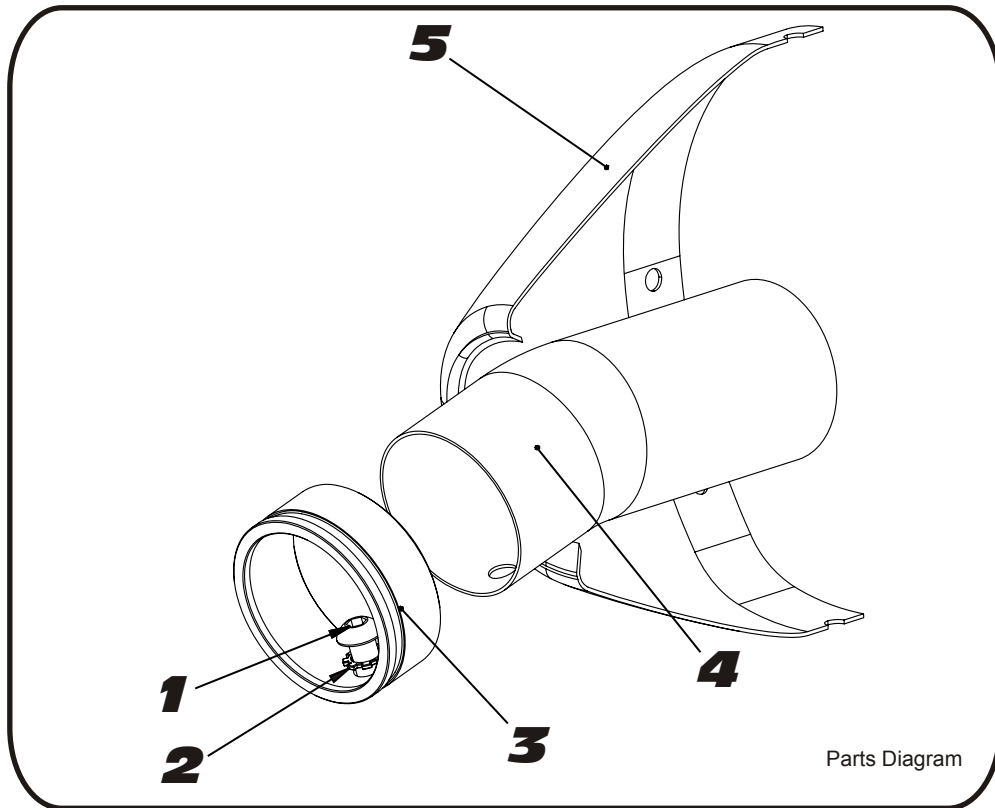
RESEARCH&DEVELOPMENT OF AMERICA, INC.

5420 DANIELS STREET SUITE A, CHINO, CA 91710 · (800)634-9166 · (909)628-4722 · FACSIMILE (909)591-2198

www.yoshimura-rd.com

INS-16-K

YOSHIMURA RS4 SOUND INSERT KIT



NO.	DESCRIPTION	QTY	PART #
1	6mm X 12mm Button Head Cap Screw	1	M6X12BHS
2	6mm Lock Washer	1	6MMLCKWSHR-TH
3	RS4 Aluminum Insert Ring 1.375"	1	RS4-RING-1375
4	Low Volume Sound Insert	1	INS-W-01
5	Yoshimura Exhaust	**	**

- 1 Using a 4mm Allen key, remove the bolt that secures the aluminum ring and sound insert to the muffler (see Parts Diagram for location).
- 2 Remove the sound insert from the muffler.
- 3 Inspect the sound insert for cracks or damage and replace if necessary.
- 4 Re-install sound insert and aluminum ring. Torque the sound insert securing bolt to 1.0 kg-m (7.3 lb-ft).
NOTE: It is recommended that a low strength "Loc-tite" is used on the sound insert securing bolt.