



PERFORMANCE EXHAUST SYSTEM

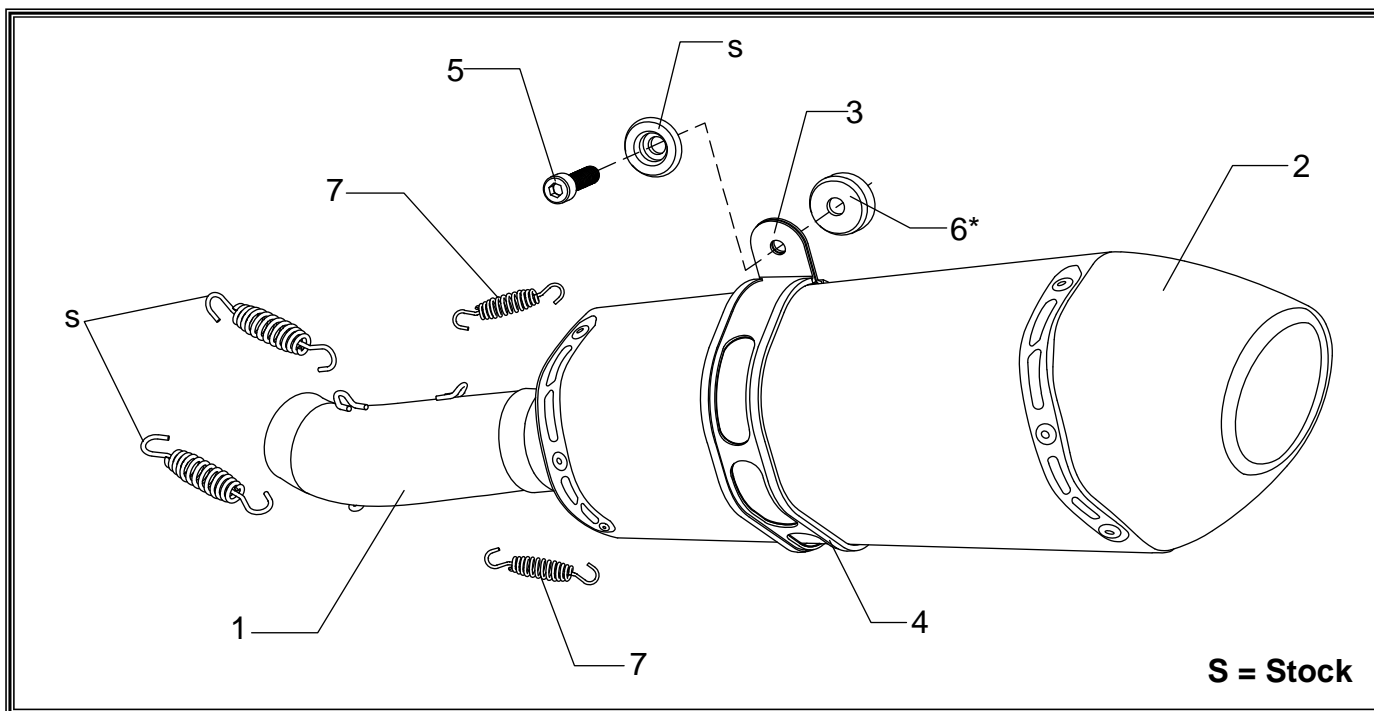
APPLICATION

YEAR	MODEL
2013	BMW F700GS
2011-2013	BMW F800GS

PRODUCT

1585020220	R77 SS Slip-On Exhaust with Carbon Fiber Sleeve; Carbon Fiber Endcap
1585020520	R77 SS Slip-On Exhaust with Stainless Steel Sleeve; Carbon Fiber Endcap

- ⚠ This product is designed for use in closed course racing and is not intended for highway use. In the state of California, it is illegal to modify the emission control system, which includes the fuel injection of any vehicle.
- ⚠ You must know how to remove and replace your stock exhaust in order to install this product otherwise have it installed by a professional mechanic. Keep all stock parts from your existing system as some components may be necessary to install your new Yoshimura exhaust depending on the application.
- ⚠ Read through all instructions before beginning installation. Exhaust system can be extremely hot. Let motorcycle cool down before beginning installation. Always wear hand and eye protection and take precautionary measures to avoid injury.



No.	Part #	Description	Qty
1	15850-435	Yoshimura Tailpipe	1
2	CRR77F126WL SRR77F126WL	Yoshimura Muffler Carbon Fiber Sleeve Stainless Steel Sleeve	1
3	1121-MPCA 1121-MPCAX	Muffler Clamp CF Sleeve SS Sleeve	1
4	HT SHLDR77	Muffler Clamp Heat Shield	1
5	M8X30	8mm x 30mm Socket Head Cap Screw	1
6*	7X25SPC-8	Aluminum Spacer (FOR '11-'12F800GS ONLY)	1
7	RACE-SPS-1	Medium Exhaust Spring	2
**	INS-04-K	Low Volume Sound Insert	1
**	ST-200	Spring Puller	1
**	17029	Yoshimura Sticker Sheet	1

-TOOLS REQUIRED-

Metric Socket Set • Combination Wrench Set • Torque Wrench • Torx Socket Set

-REMOVAL-

1. *Removing the stock muffler.*
 - a) **Remove the (2) stock exhaust springs connecting muffler to header.**
 - b) **While securely supporting the muffler, remove the muffler mount bolt.**
 - c) **Carefully remove stock muffler assembly from the stock header.**

-INSTALLATION-

1. *Small parts installation.*
 - a) **Install muffler clamp heat shield. (Note: Some trimming may be required.)**
 - b) **Slide muffler clamp onto muffler.**
2. *Installing the Yoshimura Slip-On System.*
 - a) **Install Yoshimura tailpipe onto stock header. (Note: Some twisting of tailpipe and/or muffler may be required to align muffler mount holes. Remove springs if necessary.)**
 - b) **Bolt muffler clamp to muffler mount bracket using the hardware supplied in the kit in conjunction with the stock washer. See diagram for proper orientation and order of hardware. (Note: Aluminum Spacer will not be used on F700GS and '13 F800GS models.)**
 - c) **Torque muffler mount bolt to 12lb-ft. (1.6kg-m, 16Nm)**
 - d) **Re-install stock exhaust springs onto header to tailpipe connection.**
3. *Fitment check and Notes.*
 - a) **Before starting motorcycle, check for proper clearance between new exhaust system and rear suspension (i.e. tire, swing-arm, brake, rear shock, engine, and etc.) If any problem is found, please carefully follow through the installation steps again. If problem still persists, please call Yoshimura Tech Department at (800) 634-9166 / in CA (909) 628-4722.**
 - b) **It is recommended that the muffler and tailpipe be wiped down with rubbing alcohol to remove oil and fingerprints. This will help prevent tarnishing of the finish after the exhaust is heated up.**
 - c) **NOTE: After starting motorcycle, it is normal for new exhaust system and muffler to emit smoke until oil residue burns off.**