



YOSHIMURA

RESEARCH&DEVELOPMENT OF AMERICA, INC.

5420 DANIELS STREET STE A, CHINO CA., 91710 · (800) 634-9166 · (909) 628-4722 · FAX (909) 591-2198

www.yoshimura-rd.com

Street Series

Qualified Manufacturer Declared "Replacement Part"

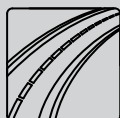
**2006~2007
Kawasaki ZX-10R**

1416472 (CF/CF)

1416475 (SS/SS)

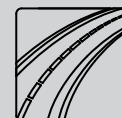
1416477 (Ti/CF)

TRC Stainless Steel Bolt-On



All Street Series systems are:

- Slip-on/Bolt-on applications that do not require tampering with the vehicle's emissions control system.
- CARB/EPA tail-pipe emissions compliant.
- Marked with appropriate EPA noise labels.
- Not tested for EPA new vehicle noise compliance.



✘ You must know how to remove and replace your stock exhaust in order to install this product otherwise have it installed by a professional mechanic. Keep all stock parts from your existing system as some components may be necessary to install your new Yoshimura exhaust depending on the application. Read through all instructions before beginning installation. Exhaust system can be extremely hot. Let motorcycle cool down before beginning installation. Always wear hand and eye protection and take precautionary measures to avoid injury. ✘

NOTE: IN THE STATE OF CALIFORNIA, IT IS ILLEGAL TO MODIFY THE EMISSION CONTROL SYSTEM, WHICH INCLUDES THE CARBURETORS OF ANY VEHICLE.

Caution: *Exhaust system can be extremely hot. Let motorcycle cool down before beginning installation.*

Note: *Read through all instructions before beginning installation.*

Tools Needed:

12mm Socket
3/8" Ratchet and Extension
12mm Wrench
3mm, 4mm, 5mm, 6mm Allen Wrench
Phillips Screwdriver
Torque Wrench

Installation Steps:

- 1 Remove left and right passenger footpegs with brackets from subframe (see Fig. 1 for bolt locations).

NOTE: Be careful not to break black plastic heatshield that is attached to right passenger footpeg bracket near the brake fluid reservoir.

- 2 Remove left and right side covers located directly below the rider's seat (see Fig.1 for bolt locations).
- 3 Remove rider seat (see Fig. 2) and passenger seat.
- 4 Remove rear cowling (be careful not to crack rear cowling during removal, see Fig. 3 and Fig. 4).
- 5 Remove stock mufflers and gaskets (Fig. 5).

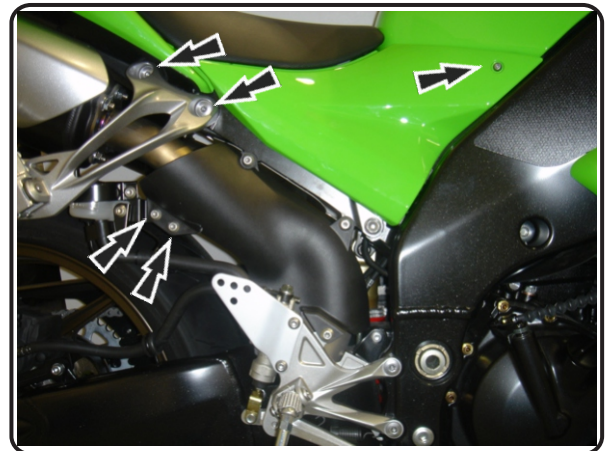


Fig. 1



Fig. 2



Fig. 3

- 6 *Install new stock muffler gaskets (not supplied).*
- 7 *Apply heat insulators to inside of muffler clamps and slide clamps onto mufflers.*
- 8 *Install Yoshimura bolt-on mufflers using the supplied bolts (see Parts Diagram on page 4).*
- 9 *Mount muffler clamps to subframe using the stock bolt, stock nut, and supplied washer (see Parts Diagram on page 4).*
- 10 *Install one of the supplied M5X10 bolts into each of the muffler clamps as shown on page 4.*
- 11 *Torque muffler-to-tailpipe bolts to 2.5 kg-m (18 lb-ft).*
- 12 *Torque stock muffler mount bolts to 2.5 kg-m (18 lb-ft).*
- 13 *Install muffler heatshields using the supplied bolts (see Parts Diagram on page 4).*
- 14 *Reinstall rear cowling, passenger seat, rider seat, left and right side covers, black plastic heatshield, and the left and right passenger pegs.*
- 15 *It is recommended that the entire exhaust system be wiped down with rubbing alcohol to remove oil and fingerprints. This will help prevent tarnishing of the finish after the exhaust is heated up.*
- 16 *Before starting motorcycle, check for proper clearance between new exhaust system and motorcycle (i.e. swing-arm, fairings etc.). If any problem is found, please carefully follow through the installation steps again. If problem still persists, please call Yoshimura technical department at (800) 634-9166/ in CA (909) 628-4722.*

Note: *After starting motorcycle, it is normal for new exhaust system to emit smoke until oil residue burns off.*

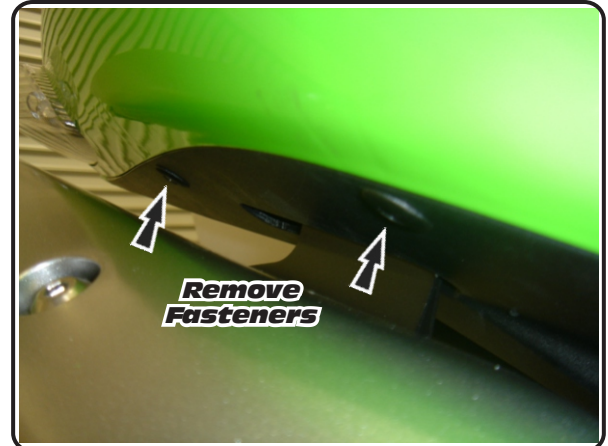


Fig. 4

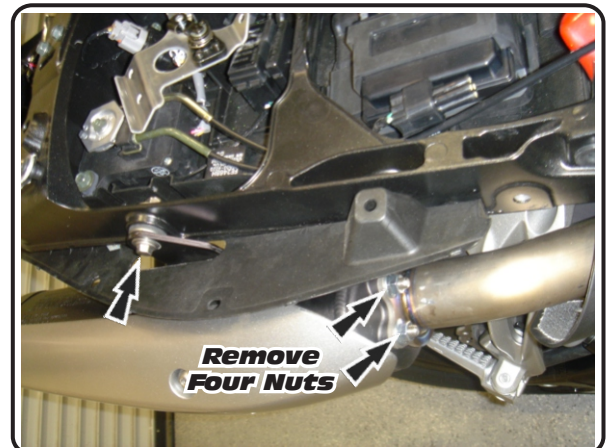
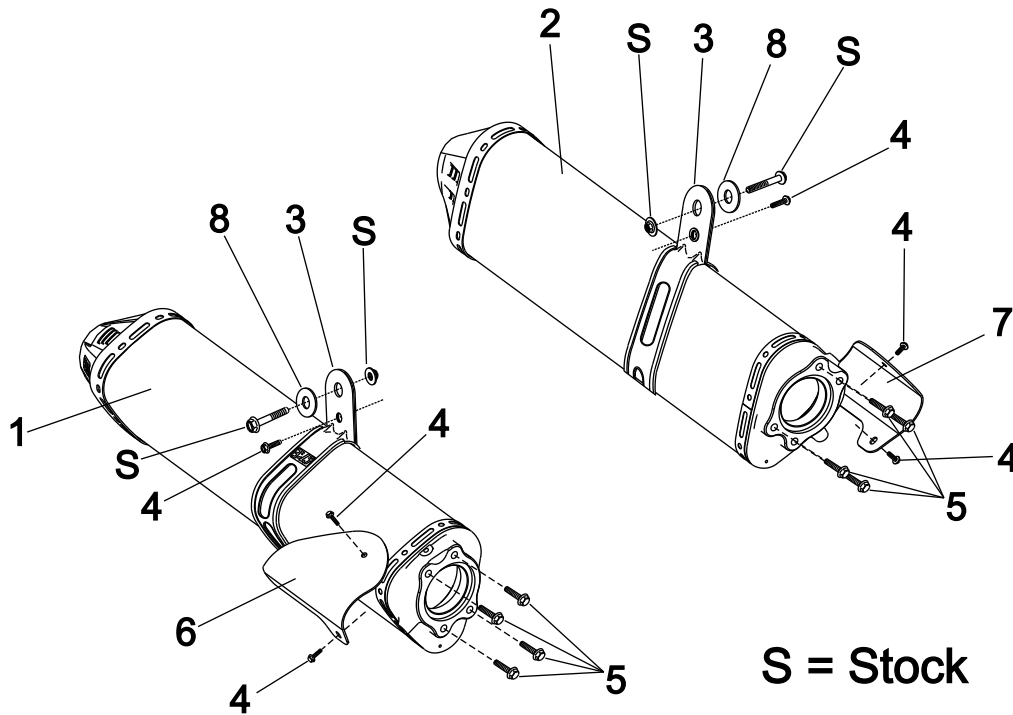


Fig. 5

#141647(2,5,7) / 1416435



S = Stock

Parts Diagram

NO.	DESCRIPTION	QTY	PART #
1	Yoshimura Muffler Assembly (Right Side) with Carbon Fiber Sleeve with Stainless Steel Sleeve with Titanium Sleeve with R22 Sleeve	1	1416472-RMA 1416475-RMA 1416477-RMA 1416435-RMA
2	Yoshimura Muffler Assembly (Left Side) with Carbon Fiber Sleeve with Stainless Steel Sleeve with Titanium Sleeve with R22 Sleeve	1	1416472-LMA 1416475-LMA 1416477-LMA 1416435-LMA
3	Stainless Steel Muffler Clamp Stainless Steel or Titanium Sleeve or R22 Sleeve uses Carbon Fiber Sleeve uses	2	CTS091X CTS091
4	5mm x 10mm Flange Hex Bolt	6	M5X10
5	8mm x 16mm Flange Hex Bolt	8	M8X16H
6	Right Yoshimura Heatshield	1	1416435-RHS
7	Left Yoshimura Heatshield	1	1416435-LHS
8	Large Washer	2	8MMWASHERL
**	Muffler Clamp Heat Insulator	2	HT SHLDTRS
**	Yoshimura Vinyl Sticker	2	17028-BLK