



# YOSHIMURA

RESEARCH&DEVELOPMENT OF AMERICA, INC.

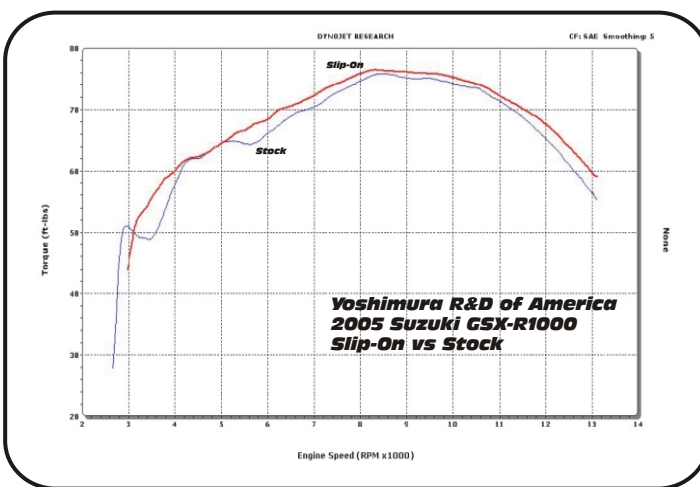
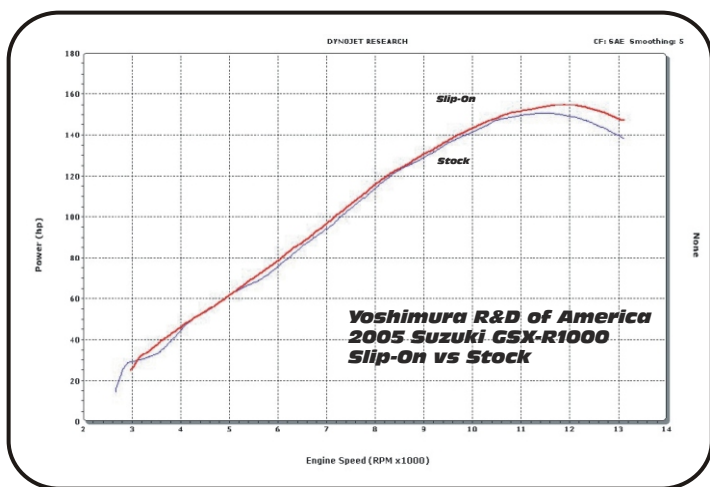
5420 DANIELS STREET STE A, CHINO CA., 91710 · (800)634-9166 · (909)628-4722 · FACSIMILE (909)591-2198

[www.yoshimura-rd.com](http://www.yoshimura-rd.com)

## TRC TRI-OVAL PERFORMANCE EXHAUST

**SUZUKI**  
**2005-2006**  
**GSX-R1000**

<b>1116272</b>	TRC RACE SLIP-ON SYSTEM WITH CARBON FIBER SLEEVE
<b>1116275</b>	TRC RACE SLIP-ON SYSTEM WITH STAINLESS STEEL SLEEVE
<b>1116277</b>	TRC RACE SLIP-ON SYSTEM WITH TITANIUM SLEEVE



Note: Dyno graphs are for comparison use only. Actual results may vary depending on operating and motorcycle condition.



**THIS PRODUCT IS DESIGNED FOR USE IN CLOSED COURSE RACING AND IS NOT INTENDED FOR HIGHWAY USE.**



NOTE: IN THE STATE OF CALIFORNIA, IT IS ILLEGAL TO MODIFY THE EMISSION CONTROL SYSTEM, WHICH INCLUDES THE CARBURETORS OF ANY VEHICLE.

**Caution:** Exhaust system can be extremely hot. Let motorcycle cool down before beginning installation.

**Note:** Read through all instructions before beginning installation.

## Tools Needed:

10mm, 11mm, and 12mm socket  
3/8" ratchet and extension  
12mm wrench  
4mm allen wrench  
Torque wrench  
Small Flat Head Screwdriver

## Installation Steps:

- 1 Remove right side fairing. (See Fig. 1)
- 2 Disconnect tail-pipe exhaust valve cables from EXCVA servo located next to the rear shock. (Refer to owner's service manual for removal instructions.)
- 3 Unbolt stock muffler and tail-pipe from passenger foot rest mount and frame chassis mount. Loosen stock collector clamp and remove stock muffler assembly from collector outlet. (See Fig.2)
- 4 Slip supplied collector clamp over inlet of Yoshimura tail-pipe, then slip tail-pipe inlet over stock collector outlet.
- 5 Line up chassis mount on Yoshimura tailpipe with stock chassis mount location. Mount tail-pipe to inside of chassis mount using stock bolt and washer and supplied nut and washer. (See Fig.3)
- 6 Torque chasis mount bolt to 2.5 kg-m (16 lb-ft).
- 7 Apply heat insulator to inside of muffler clamp and slide clamp onto muffler. (note direction of clamp in Fig. 4)
- 8 Mount clamp to inside of stock muffler bracket using stock bolt, washer, and nut. (see Fig. 3 and 4)
- 9 Torque muffler clamp bolt to 2.3 kg-m (16 lb-ft)
- 10 Torque supplied collector clamp to 1.25 kg-m (9 lb-ft).
- 11 Reinstall right side fairing.

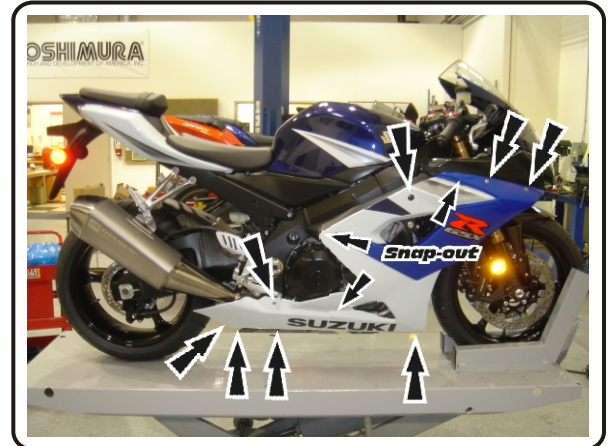


Fig. 1

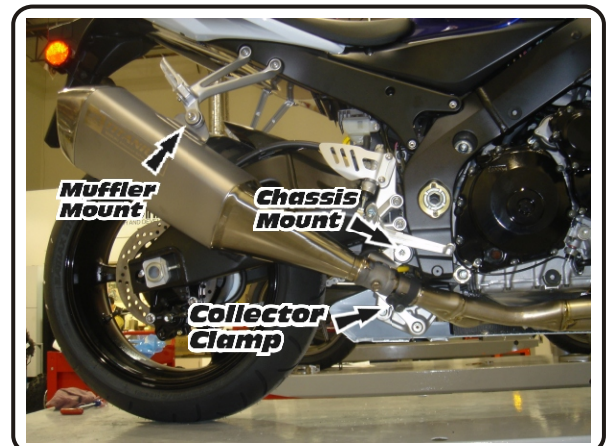


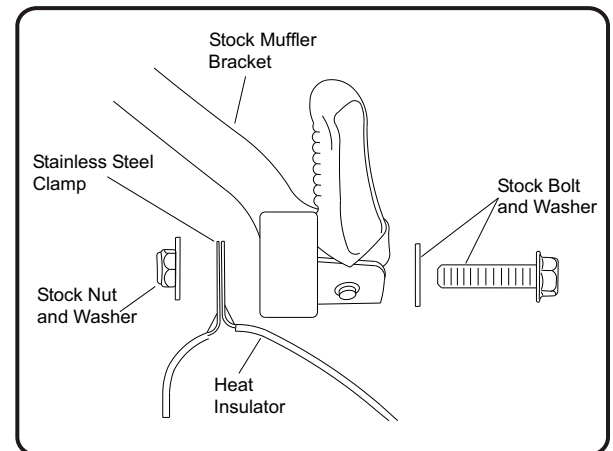
Fig. 2



Fig. 3

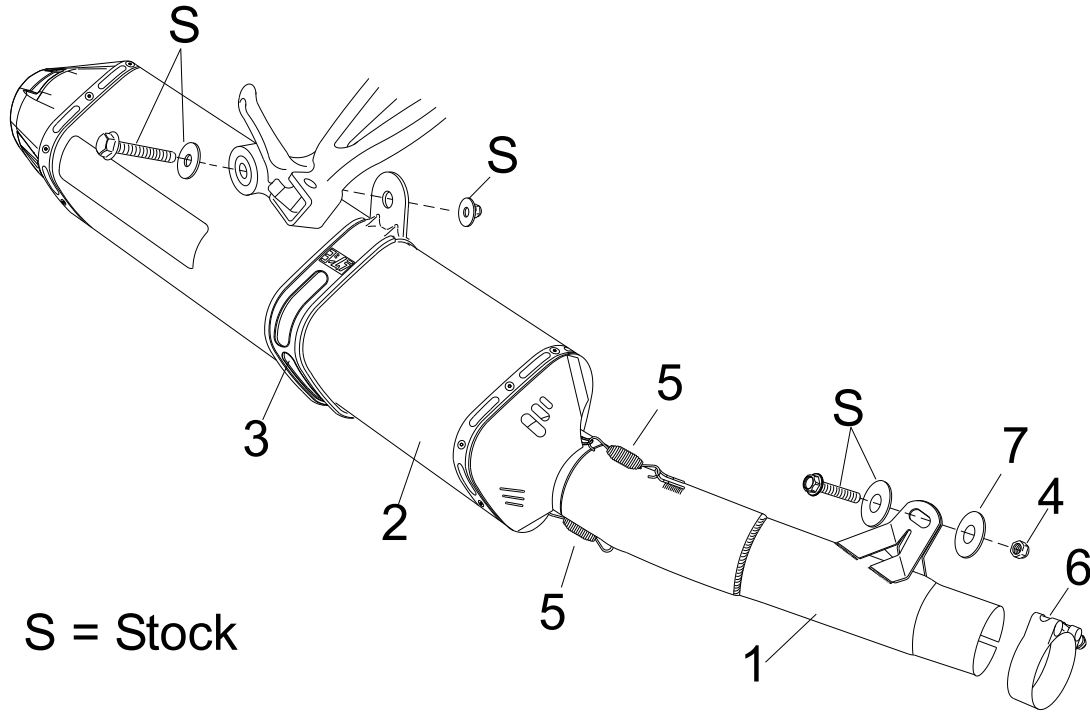
- 12 *It is recommended that the muffler and tailpipe be wiped down with rubbing alcohol to remove oil and fingerprints. This will help prevent tarnishing of the finish after the exhaust is heated up.*
- 13 *Check for proper clearance between new exhaust system and motorcycle. (i.e. Swing-arm, body work, etc.) If any problem is found, please carefully follow through the installation steps again. If problem still persists, please call Yoshimura tech. dept. at (800)634-9166 / in CA (909)628-4722*

**NOTE:** *After starting motorcycle, it is normal for new exhaust system and muffler to smoke until oil residue burns off.*



**Fig. 4**

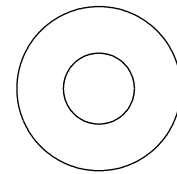
**#111627 (2,5,7)**



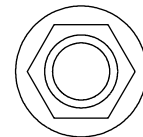
Parts Diagram

NO.	DESCRIPTION	QTY	PART #
1	Yoshimura Race Slip-On Tailpipe	1	1116-435
2	TRC Tri-Oval Muffler Assembly	1	**
3	TRC Stainless Steel Muffler Clamp Stainless Steel or Titanium Sleeve uses Carbon Fiber Sleeve uses	1	CTS081X CTS081
4	Flanged Nut	1	8MMNUT
5	Stainless Steel Spring	2	RACE-SPS-1
6	Exhaust Collector Clamp	1	220-59
7	Large Washer	1	8MMWASHERL
**	Heat Insulator	1	HT SHLDTRS
**	Yoshimura Vinyl Sticker	2	17028-BLK

**Nuts and Bolts Guide (Actual Size):**



8mm Large Flat Washer



8mm Flange Nut



AMERICAN SUZUKI MOTOR CORPORATION  
MOTORCYCLE

January 21, 2009

VOLUNTARY SAFETY RECALL CAMPAIGN #2A08  
2005 AND 2006 GSX-R1000 MOTORCYCLES  
FRAME REINFORCEMENT BRACE INSTALLATION/FRAME REPLACEMENT  
PLEASE READ IMMEDIATELY

**Dear Suzuki Owner:**

This notice is sent to you in accordance with the requirements of the National Traffic and Motor Vehicle Safety Act. Suzuki Motor Corporation has decided that an issue related to motor vehicle safety may arise with respect to some model year 2005 and 2006 GSX-R1000 motorcycles. According to our records, you are the owner of one of these motorcycles.

**Why is Suzuki conducting this recall?**

Suzuki has received reports of cracking or breakage of the motorcycle frame in certain extreme situations where unusually high stress is placed on the frame, such as collisions involving the front wheel/fork assembly.

Suzuki has also received reports of cracking or breakage of the frame behind and below the steering neck when the motorcycle is subjected to repeated hard landings from hazardous maneuvers such as extreme or extended wheelies or other stunts. Suzuki believes that this type of driving activity is reckless — and illegal when performed on a public roadway — and does not condone it. If the frame becomes broken during this type of extreme use, a crash could occur.

While ordinary operation of the motorcycle does not create a risk of cracking or breakage of the frame, Suzuki has decided voluntarily to conduct this Safety Recall to minimize the potential for frame cracking or breakage in the circumstances described above.

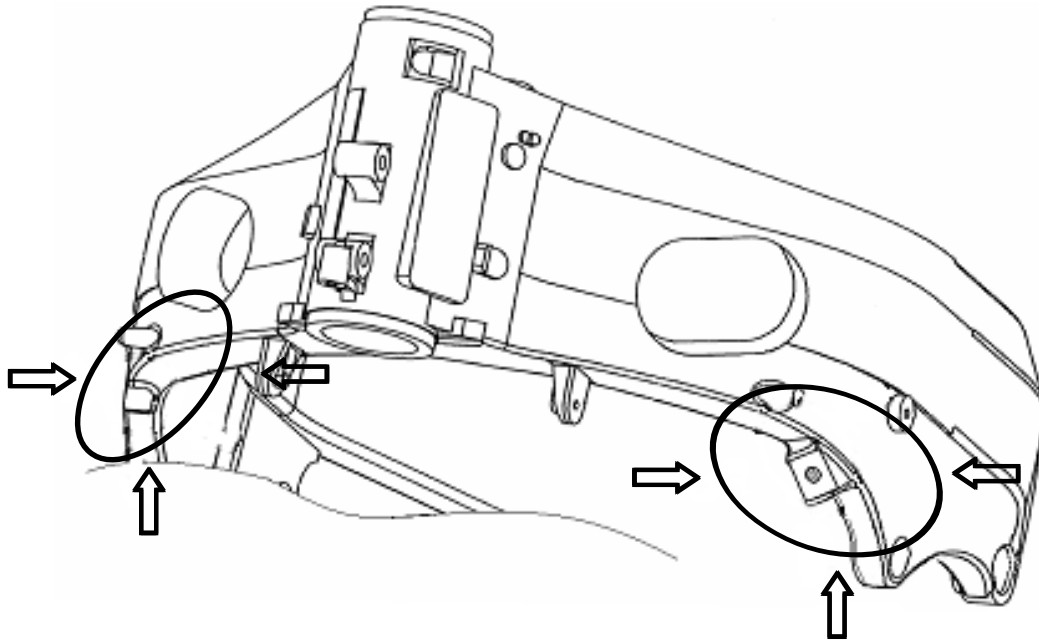
**What will Suzuki do?**

Your Suzuki dealer will inspect the relevant area of the frame for cracks. The illustration on page 2 shows the area to be examined for cracks. If no cracks are found, a frame reinforcement brace will be attached to the frame using bolts and epoxy adhesive. The brace is aluminum and very lightweight (less than 2 pounds). It is very slender and fits underneath the top spar of the frame behind and below the steering neck. The appearance, performance and handling of your Suzuki remain unchanged with the reinforcement brace installed.

The service to inspect your frame and install the reinforcing brace takes approximately 3 hours to complete, and your motorcycle will have to be left at the dealership overnight so that the epoxy adhesive that is used can cure. The service will be performed at no cost to you for parts or labor.

Should cracks be found during the inspection, the frame will be replaced with a new frame that has the reinforcement brace installed (see exclusions at the bottom of this page).

To reassure your confidence in your Suzuki GSX-R1000, Suzuki will provide a five year warranty on your frame and the frame reinforcement brace beginning on the date of installation by your dealer.



**How do I receive the fastest possible service?**

Suzuki understands that your riding time is precious. Our suggestion is to work closely with your authorized Suzuki dealer to get the Recall service scheduled as quickly as possible. When you pick up your serviced motorcycle, please allow a few extra minutes for your dealer to prepare and complete the necessary paperwork with you.

If you have special circumstances, discuss them with your Suzuki dealer. Suzuki understands that some customers may have difficult circumstances to overcome in bringing their motorcycle to the dealership for the Recall service. We have asked your Suzuki dealer to work closely and flexibly with you to arrange solutions for your special requests. Please remember however, that each dealership has its own limitations in providing special assistance due to dealership location, available time and staff size. Your dealer can also consult with Suzuki regarding other alternatives.

**What motorcycles are excluded from this Recall?**

Any motorcycle with a frame modified in such a manner that the reinforcement brace could not be installed is excluded from this Recall.

This Recall is being undertaken voluntarily and not pursuant to the vehicle warranty. The acceptance or exclusion of any vehicle for the service and installation described above shall not be construed as modifying or waiving the terms of the vehicle warranty in any respect.

## **Questions and Answers**

Your Suzuki dealer has been provided with specific and complete instructions regarding the Recall service. Your local Suzuki dealer can provide the fastest responses to your questions or concerns about the Recall service. You may also contact the American Suzuki Customer Service Department for assistance at 714-572-1490. You will need to have your Vehicle Identification Number ready when calling.

If you believe that American Suzuki has failed to provide the Recall service without charge or is unable to do so within a reasonable time, you may submit a complaint to the Administrator of the National Highway Traffic Safety Administration, 1200 New Jersey Ave., S.E., Washington, DC, 20590 or call the toll-free Vehicle Safety Hotline at 1-888-327-4236 (TTY: 1-888-424-9153); or go to <http://www.safercar.gov>.

## **Locating an Alternate Dealer**

Suzuki dealers can be located on the internet at [www.suzukicycles.com](http://www.suzukicycles.com) or by calling the Customer Service number listed above.

## **Customer Reimbursement**

If your motorcycle is included in the Safety Recall and you have paid for the repair or replacement of the frame due to cracking or breakage of the frame in the relevant area, you may be eligible for full or partial reimbursement. Suzuki's reimbursement plan covers the following motorcycles: all 2005 and 2006 model year Suzuki GSX-R1000 motorcycles. Please note the following for which Suzuki may exclude reimbursement:

- The cost of repairs to correct damage resulting from crashes, accidents, or other similar incidents will not be reimbursed.
- Only repairs that are the subject of the Safety Recall are reimbursable. Additional expenses such as towing, rental, accommodations, property damage repairs, etc. will not be reimbursed.
- Reimbursement may be limited to suggested list price on parts and the Suzuki published flat rate time allowance.
- An owner will not be eligible for reimbursement if the expenses for repairs are incurred more than 10 days after the date of the last owner notification letter sent by Suzuki.
- Reimbursement claims may also be excluded when adequate documentation is not submitted by the claimant. Your authorized Suzuki dealer will request an original or copy of your receipts for the repair or replacement work done, and your owner notification letter. To obtain information or request reimbursement, contact your Suzuki dealer or the American Suzuki Motor Corporation, Motorcycle Customer Service Department, PO Box 1100, Brea, CA 92822-1100, or call (714) 527-1490. Be sure to have your VIN information available when calling.

We thank you for your prompt attention to having this Safety Recall service performed on your GSX-R1000 and apologize for any inconvenience it may cause you. We would also like to remind you that you can avoid future problems through legal and safe operation of your motorcycle at all times. Your safety, satisfaction, and riding enjoyment are priorities for Suzuki.

Sincerely,

American Suzuki Motor Corporation