



YOSHIMURA

RESEARCH & DEVELOPMENT OF AMERICA, INC.

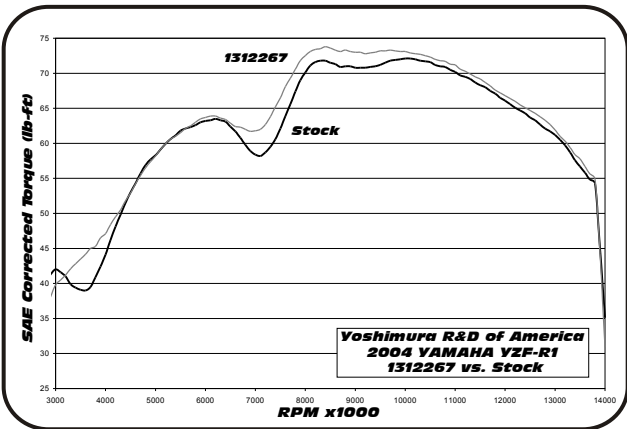
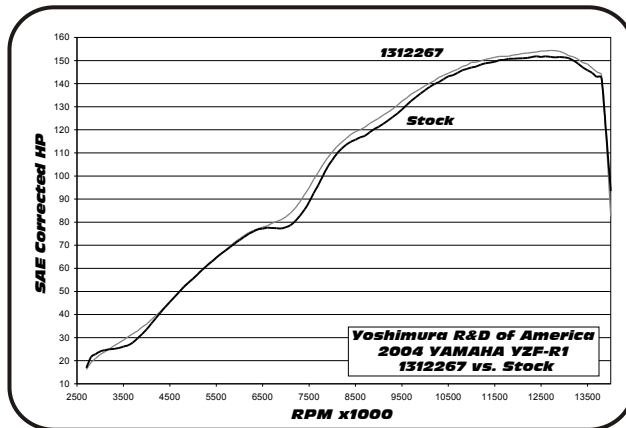
5420 DANIELS STREET STE A, CHINO CA. 91710 · (800)634-9166 · (909)628-4722 · FACSIMILE (909)591-2198

www.yoshimura-rd.com

TRS TRI-OVAL PERFORMANCE EXHAUST SYSTEM

**YAMAHA
2004-2006
YZF-R1**

131226 (2,5,7) STAINLESS STEEL TRS RACE SLIP-ON SYSTEM



Note: Dyno graphs are for comparison use only. Actual results may vary depending on operating and motorcycle condition.



THIS PRODUCT IS DESIGNED FOR USE IN CLOSED COURSE RACING AND IS NOT INTENDED FOR HIGHWAY USE.



NOTE: IN THE STATE OF CALIFORNIA, IT IS ILLEGAL TO MODIFY THE EMISSION CONTROL SYSTEM, WHICH INCLUDES THE FUEL INJECTION OF ANY VEHICLE.

Caution: Exhaust system can be extremely hot. Let motorcycle cool down before beginning installation.

Note: Read through all instructions before beginning installation.

Tools Needed:

Torque wrench
10mm and 12mm sockets
3/8" ratchet and extension
5mm and 6mm Allen wrench
13/64" Drill bit
Electric Drill
Safety Glasses

Installation Steps:

- 1 Remove front and rear seats (front seat is retained by 2 allen bolts under rear of seat pad).
- 2 Remove 2 rubber covers and rear cowling (See Fig. 1 for fastener locations). Disconnect the tail light electrical connector and the rear seat locking mechanism cable prior to removing rear cowling (See Fig. 2).
- 3 Remove stock right side exhaust heat shield (Fig. 4).
- 4 Remove stock muffler mount bolt covers (Fig. 3)
- 5 Loosen stock tailpipe collector clamps. Unbolt stock muffler mount bolts under rear cowling. Tilt muffler(s) sideways and carefully slide left and right side mufflers out.
- 6 Install supplied muffler clamp heat insulators into muffler clamps. Slide muffler clamps over mufflers. (See Fig. 6 for correct orientation)
- 7 Slip collector clamp over inlet of Yoshimura slip on. Slide slip-ons onto stock pipes. (Note: this system does not use stock midpipe gaskets)

Mount muffler clamp to stock mounting position. Do not torque bolts at this time. (See Fig. 6)

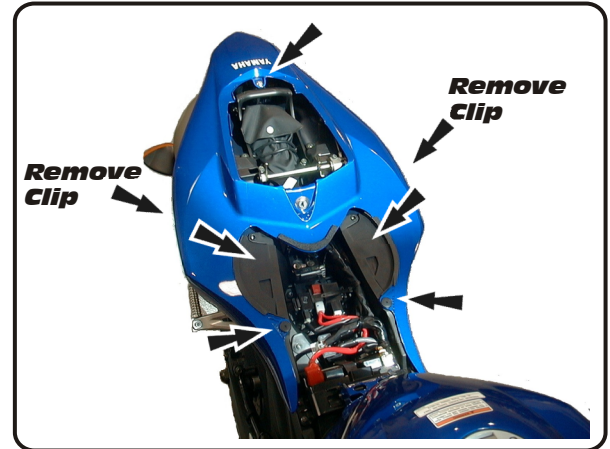


Fig. 1

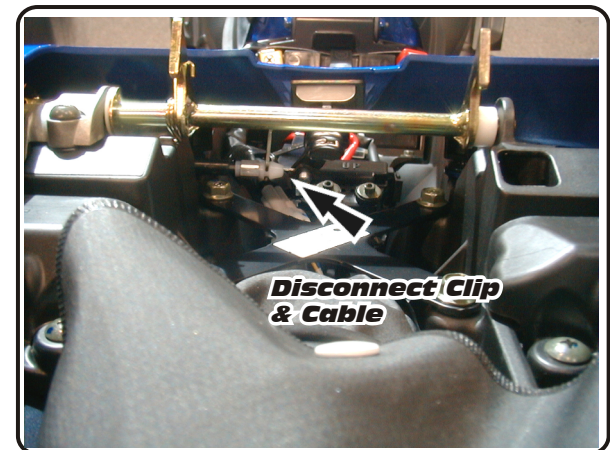


Fig. 2



Fig. 4

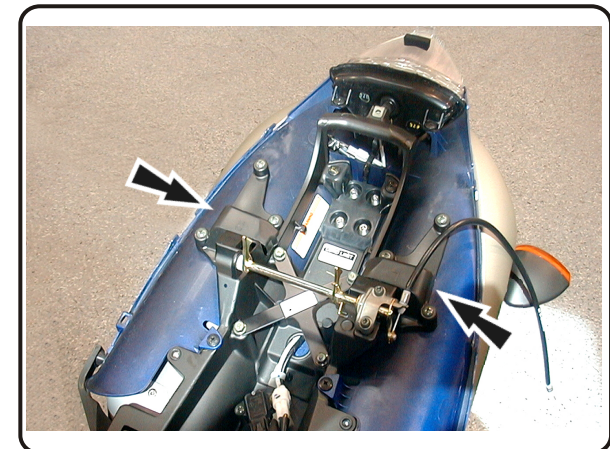


Fig. 3

8 Check muffler position to ensure it is the same from right to left. In some cases the muffler will have to be held and the tailpipe twisted to adjust alignment. Check the heat shield mounting bosses from side to side to make sure they are at the same level. Finally check the mufflers from the rear to ensure they are correctly positioned (See fig4.)

9 Torque muffler clamp bolts to 2.3 kg-m (16.5 lb-ft).

10 Drill 13/64" hole thru end of collector at the center of the securing hole in Yoshimura tailpipe. (See Fig.5)

CAUTION: Always wear eye protection when using any power tool.)

11 Install securing rivet into drilled hole, slide stainless steel exhaust clamp over rivet and torque clamp to 1.25 kg-m (9 lb-ft).



Fig. 5

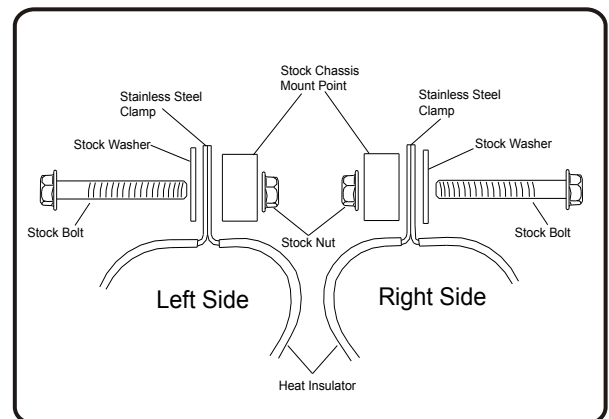


Fig. 6

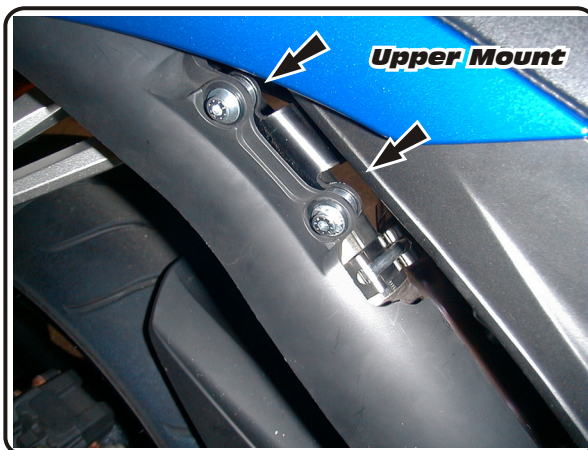


Fig. 7

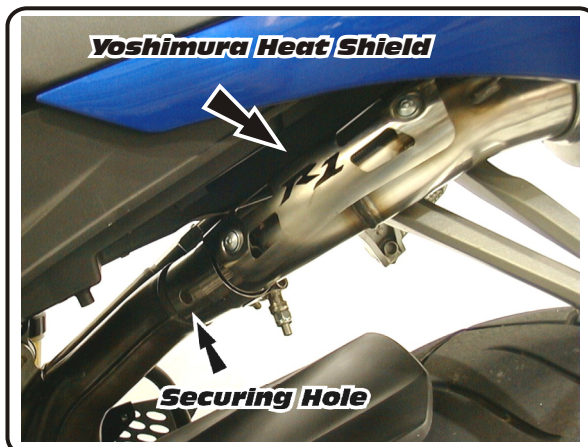


Fig. 8

12 Install Stock Heat shield with supplied bolts, washers, and spacers in the upper mount position. Use stock bolts for the lower mount position. (See Fig. 7)

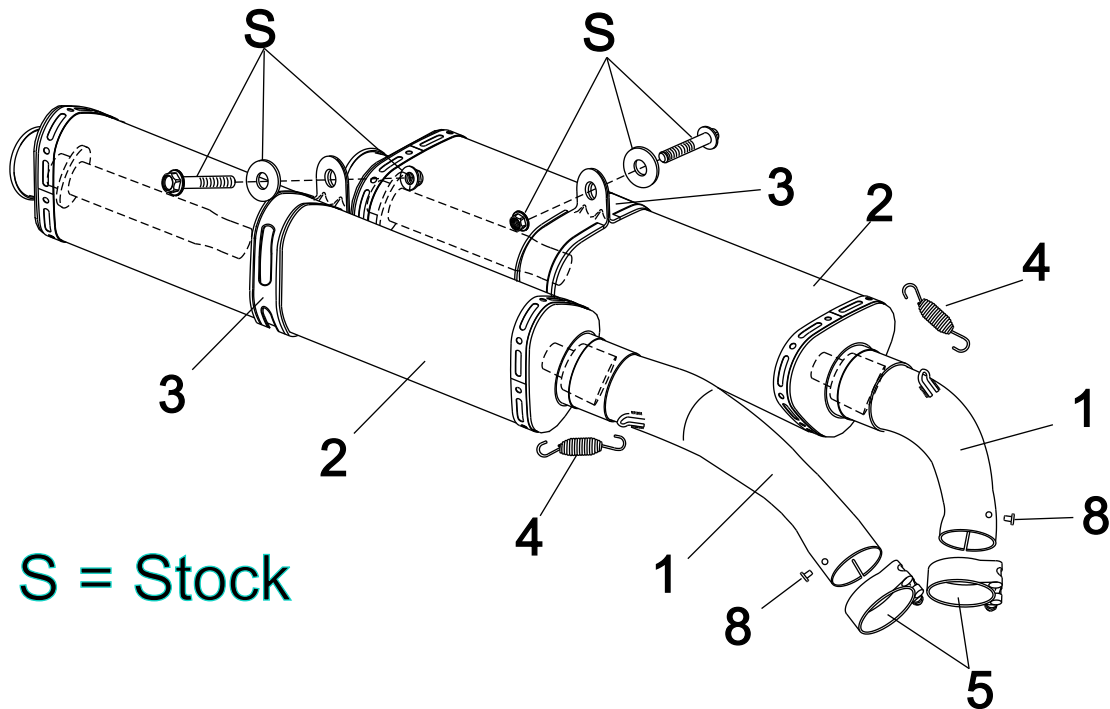
Install Yoshimura Heat shield on left tailpipe with supplied bolts. (See Fig. 8)

13 It is recommended that the entire exhaust system be wiped down with rubbing alcohol to remove oil and fingerprints. This will help prevent tarnishing of the finish after the exhaust is heated up.

14 Before starting motorcycle, check for proper clearance between new exhaust system and motorcycle. (i.e. Bodywork, swing-arm, etc.) If any problem is found, please carefully follow through the installation steps again. If problem still persists, please call Yoshimura tech. dept. at (800)634-9166 / in CA (909)628-4722

NOTE: After starting motorcycle, it is normal for new exhaust system and mufflers to emit smoke until oil residue burns off.

#131226(2,5,7)



S = Stock

Parts Diagram

NO.	DESCRIPTION	QTY	PART #
1	Yoshimura Tail Pipe Stainless Steel (Left Side) Stainless Steel (Right Side)	1 1	1312-430 1312-431
2	TRS Mufflers	2	**
3	Stainless Steel Muffer Clamp Stainless Steel or Titanium Sleeve use Carbon Fiber Sleeve use	2	CTS811X CTS811
4	1.5" Exhaust Spring	4	RACE-SPX-1
7	Stainless Steel Collector Clamp	2	220-59
8	Collector Rivet	2	S-RIVET
**	Muffer Clamp Heat Insulator	2	HT-SHLDTRS
**	Spring Puller Tool	1	ST-200
**	Yoshimura Vinyl Sticker	1	17028-BLK
**	Yoshimura Heat Shield	1	1312-HS
**	Yoshimura Heat Shield Bolt	2	RC116HSB
**	Spacer for Stock Heat Shield	2	6X7SPC
**	Bolt for Stock Heat Shield	2	M6X20L
**	Washer for Stock Heat Shield	2	6MMWASHER