



YOSHIMURA

RESEARCH&DEVELOPMENT OF AMERICA, INC.

5420 DANIELS STREET STE A, CHINO CA., 91786 · (800)634-9166 · (909)628-4722 · FACSIMILE (909)591-2198

www.yoshimura-rd.com

TRS TRI-OVAL PERFORMANCE EXHAUST SYSTEM

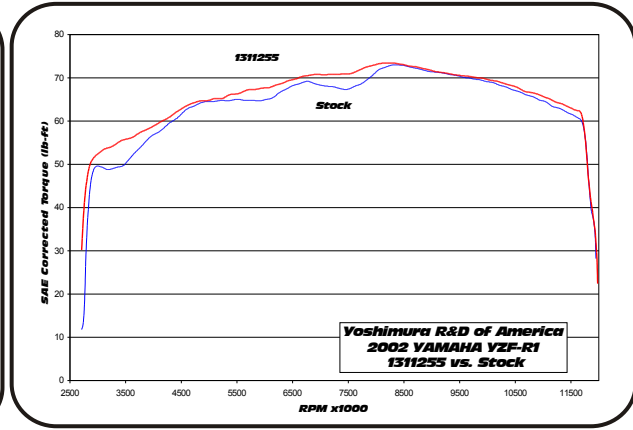
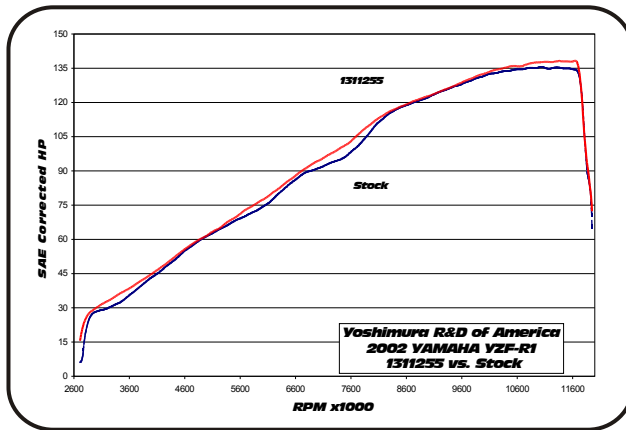
**YAMAHA
2002-03
YZF-R1**

131126 (2,5,7)

TRS STAINLESS STEEL RACE ONLY SLIP ON

131136 (2,5,7)

TRS STAINLESS STEEL ZYCLONE SLIP ON



Note: Dyno graphs are for comparison use only. Actual results may vary depending on operating and motorcycle condition.



THIS PRODUCT IS DESIGNED FOR USE IN CLOSED COURSE RACING AND IS NOT INTENDED FOR HIGHWAY USE.



NOTE: IN THE STATE OF CALIFORNIA, IT IS ILLEGAL TO MODIFY THE EMISSION CONTROL SYSTEM. WHICH INCLUDES THE CARBURETORS OF ANY VEHICLE.

Caution: Exhaust system can be extremely hot. Let motorcycle cool down before beginning installation.

Note: Read through all instructions before beginning installation.

Tools Needed:

12mm, 14mm sockets
11mm (7/16") deep socket
3/8" ratchet
14mm wrench
5mm Allen Wrench
13/64" drill bit
Power drill
Safety glasses
Torque wrench

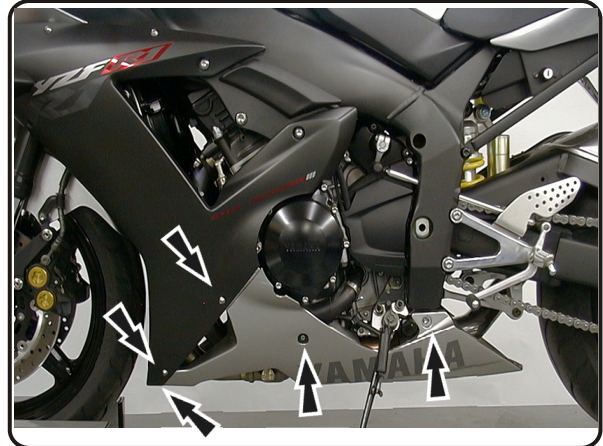


Fig. 1

Installation Steps:

- 1 Remove lower cowlings.
(See Fig. 1 & 2 for fastener locations.)
- 2 Remove stock muffler and tail-pipe assembly.
- 3 Slip 2.75" stainless steel exhaust clamp over Yoshimura tail-pipe and install muffler and tailpipe assembly onto stock header.
- 4 Install heat insulator into muffler clamp and slide muffler clamp onto muffler.
(Note direction of clamp in Fig. 3)
- 5 Mount clamp to stock muffler bracket using stock bolt and washer with supplied nut. (See Fig. 3)

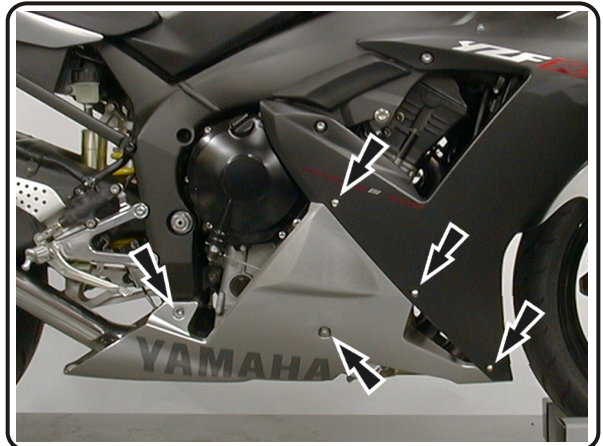


Fig. 2

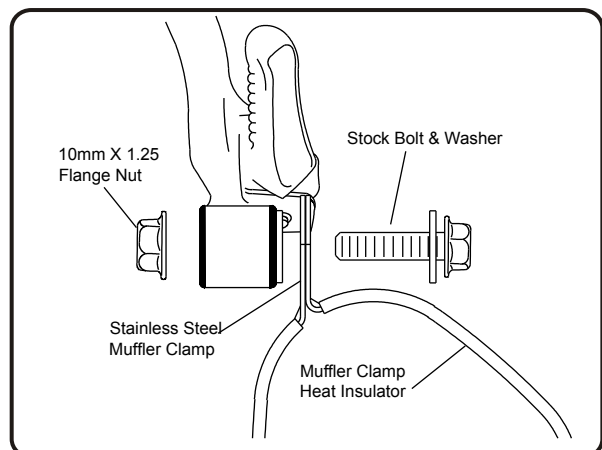


Fig. 3

6 Torque muffler clamp bolt to 2.5 kg-m (18 lb-ft)

7 Drill 13/64" hole thru end of header at the center of the securing hole in Yoshimura tailpipe. (See Fig.4) (Caution: Always wear eye protection when using any power tool.)

8 Install securing rivet into drilled hole, slide 2.75" stainless steel exhaust clamp over rivet and torque clamp to 1.25 kg-m (9 lb-ft).

9 It is recommended that the muffler and tail-pipe be wiped down with rubbing alcohol to remove oil and fingerprints. This will help prevent tarnishing of the finish after the exhaust is heated up.

11 Before starting the motorcycle, check for proper clearance between new exhaust system and swing arm. If any problem is found, please carefully follow through the installation steps again. If problem still persists, please call Yoshimura tech. Dept. at (800)634-9166 / in CA (909) 628-4722

12 Reinstall cowlings.

13 Check for proper clearance between new exhaust system and cowling.

Note: After starting motorcycle, it is normal for new exhaust system to smoke until oil residue burns off.

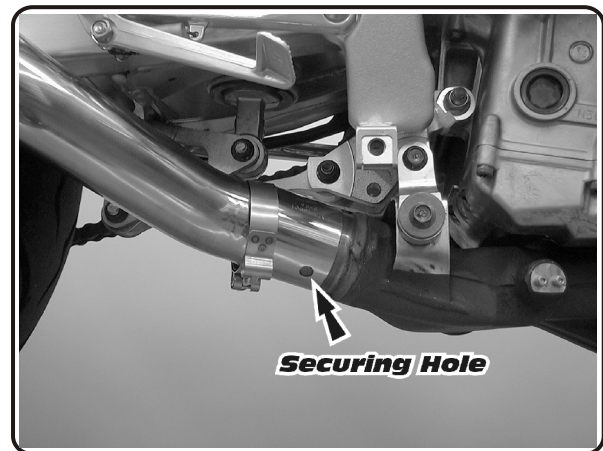
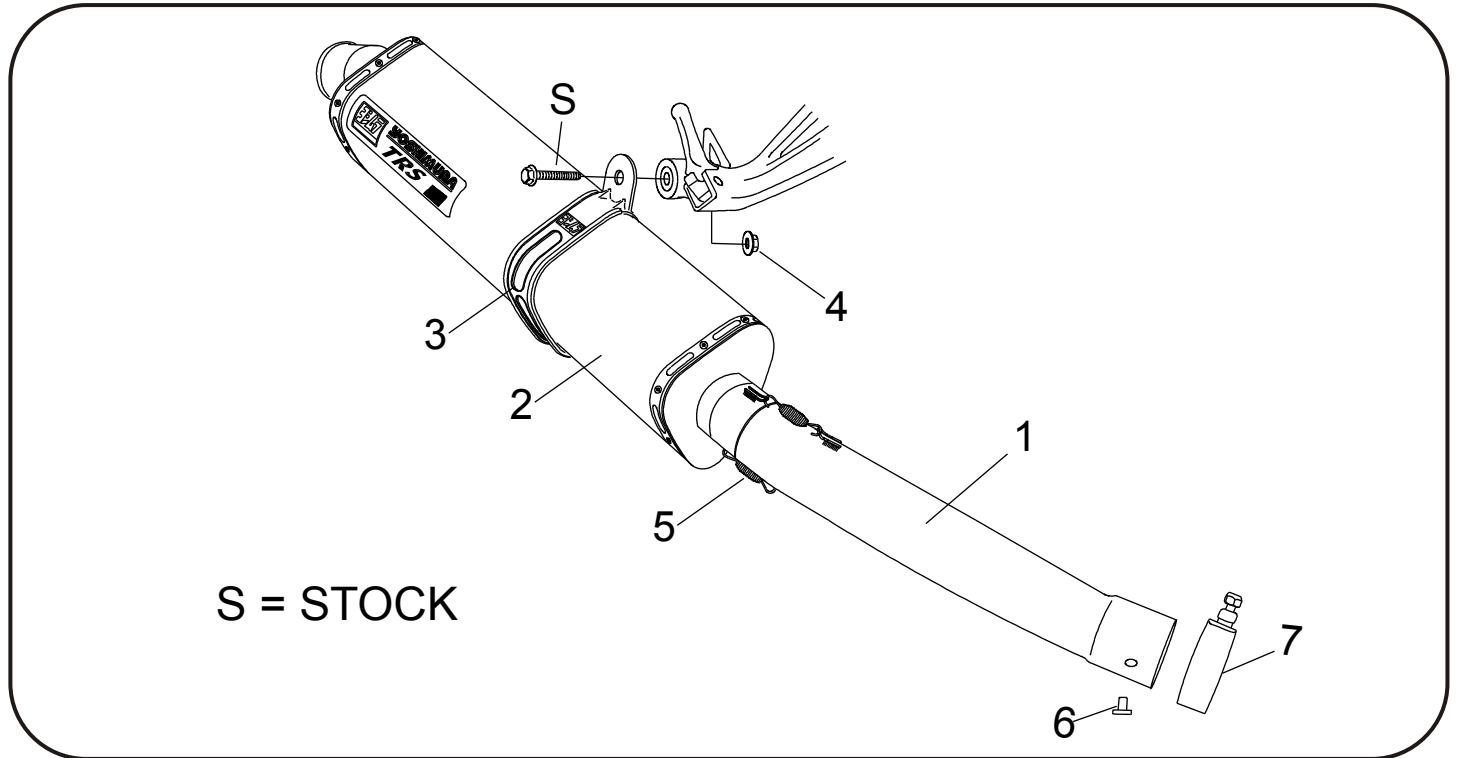


Fig. 4

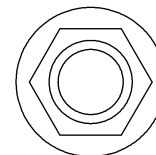
#131126 (2,5,7) / 131136 (2,5,7)



Parts Diagram

NO.	DESCRIPTION	QTY	PART #
1	Yoshimura Tail-Pipe Stainless Steel Race & Zyclone	1	1311-435
2	TRS Tri-Oval Muffer Assembly	1	**
3	TRS Stainless Steel Muffer Clamp Stainless Steel or Titanium Sleeve uses Carbon Fiber Sleeve uses	1	CTS102X CTS102
4	10mm x 1.25 Flange Nut	1	10MMFNUT
5	2.5" Exhaust Spring	2	RACE-SPS
6	Securing Rivet	1	S-RIVET
7	2.75" Stainless Steel Collector Clamp	1	20069
**	TRS Muffer Clamp Heat Insulator	1	HT SHLDTRS
**	Yoshimura Vinyl Sticker	1	17029

Nuts and Bolts Guide (Actual Size):



10mm x 1.25 Flange Nut