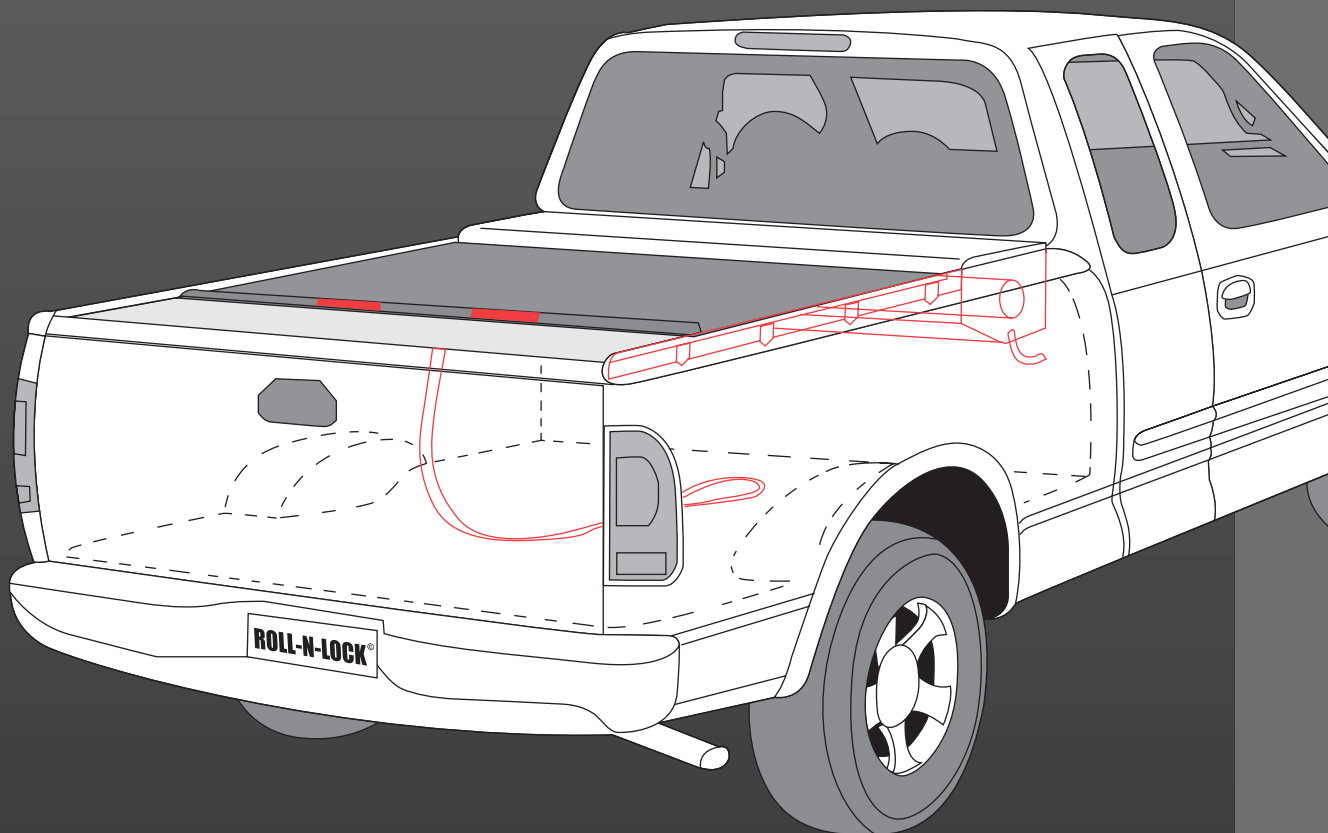




## INSTALLATION GUIDE

2004-09 FORD  
F-150 FLARESIDE



PRODUCT CODE:

**146**



May 31, 2011

## **STEP 1: SECURING SUB-ANGLES**

Before commencing with installation of sub-angles, press gasket pads into vertical face of rail cap slot (*Photo 1*).

Next, position sub-angle with notch against bulkhead (*Photos 2 and 3*). **Note: Bedliners must be trimmed to permit notch to seat dead against the bulkhead.**

Keep sub-angle exactly flush with top of rail cap and use #10 self-drilling tiger thread screws to fasten into place (*Photos 4 and 5*).

**Caution: Truck bed is fiberglass.**

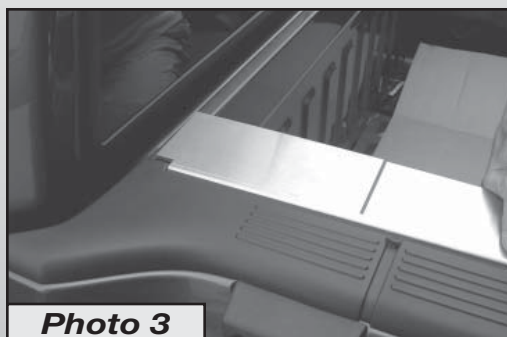
When securing tiger thread screws, set screw gun to low torque, slow speed. Do not use air driver, as screws will strip.



*Photo 1*



*Photo 2*



*Photo 3*



*Photo 4*



*Photo 5*

## **STEP 2: SECURING MOUNTING FLANGES (BLACK WRINKLE FINISH ANGLES)**

When both sub-angles have been secured, proceed with the installation of the Mounting Flanges. Place



*Photo 6*



*Photo 7*

passenger side Mounting Flange onto sub-angle, with notch against bulkhead (*Photos 6 and 7*).

## **STEP 2: SECURING MOUNTING FLANGES** **(CONTINUED)**

Next, align outside edge of the Flange with the innermost rib on plastic rail cap (**Photo 8**).

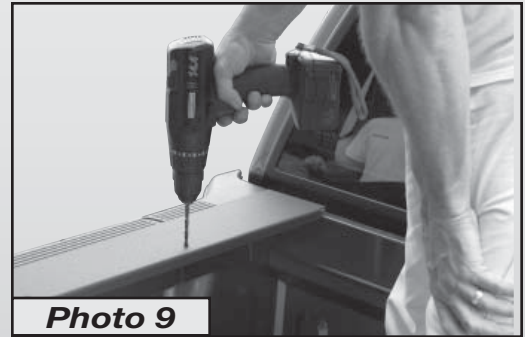
Using the 1/4" drill bit provided, drill just the forward hole and secure Flange to sub-angle with a 1/4-20 x 1" black screw, lock washer and nut (**Photo 9**). Now

drill hole nearest tailgate and fasten. With Flange secured at each end, drill remaining holes and fasten securely. Now place driver's side Flange onto sub-angle and line it up with rail cap rib; however, before drilling forward hole, check measurement from Flange to Flange to be sure that it is 51 1/8" (**Photo 10**). When forward hole is drilled and secured, check to

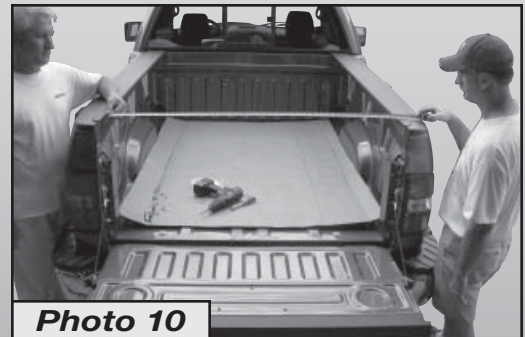
be sure flange to flange measurement near tailgate is also 51 1/8", then drill and secure hole nearest tailgate. With flange secure on each end, drill and secure remaining holes.



**Photo 8**



**Photo 9**



**Photo 10**

## **STEP 3: INSTALL HOUSING AND TRACKS**

With Mounting Flanges properly secured, the next step is to place Housing onto the Flanges and center it (**Photo 11**).



**Photo 11**



**Photo 12**

Next, **making sure to leave the Pull Strap connected to the threaded shipping stud**, rotate the Lock Lever to the 10 o'clock position (**Photo 12**). Carefully place the Tracks on the bedrails and key them onto the Housing Stems (**Diagram 13**), being sure that the Handle is properly engaged into the Tracks.

### STEP 3: INSTALL HOUSING AND TRACKS, (CONTINUED)

Starting at the back (**Photo 14**), attach the Bed Clamps, but leave them wobbly loose. Now move to the front of the Track and fasten Track to the Housing Stem using #10-24 x 1/2" truss head screws and Cargo Nuts to secure the Tracks to the Housing Stems (**Photo 15**). Tighten these connections securely.

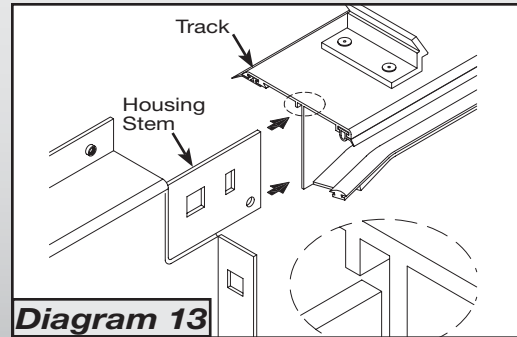


Diagram 13



Photo 14

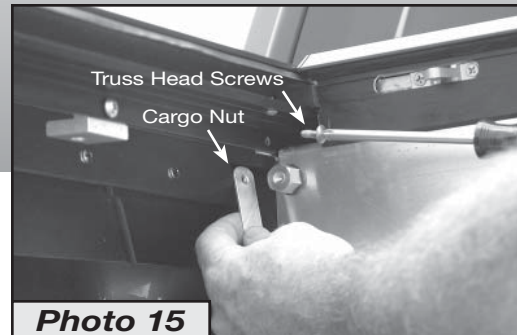


Photo 15

### STEP 4: INSTALL THE TAILGATE EXTRUSION

Lower tailgate and place a pencil mark at exact center (**Photo 16**). Place a corresponding center mark on the Flange of the **Roll•N•Lock** Tailgate Extrusion. Using #8 x 3/4" self drilling button head screws, install Tailgate Extrusion, being sure that it is positioned at exact center of the tailgate and that it does not tip downward or upward. For the latching mechanism to function properly, Tailgate Extrusion must be perpendicular to tailgate.

When Tailgate Extrusion has been installed, use a razor knife to trim the 1" plastic tab which extends beyond the Tailgate Extrusion on each end. **Note:** A thin metal plate has been included in the package to prevent scratching the tailgate when cutting the tab. Slip metal plate under plastic tab before cutting (**Photo 17 and 18**).

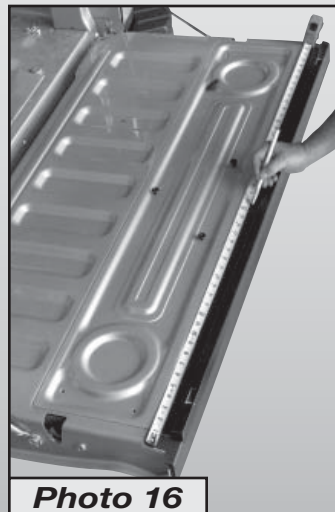


Photo 16

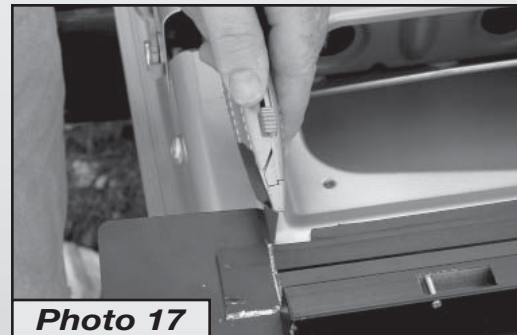


Photo 17



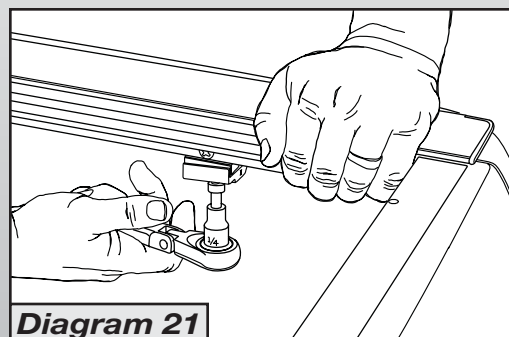
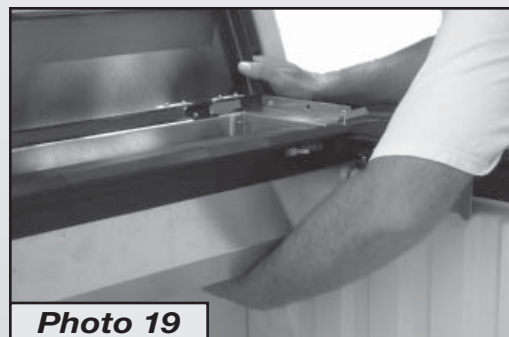
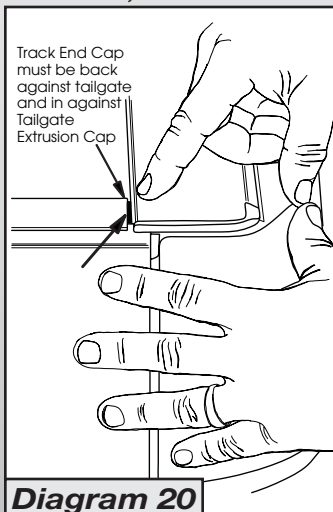
Photo 18



## **STEP 5: POSITIONING ASSEMBLY AND TIGHTENING CLAMPS**

With Tailgate Extrusion in place and plastic tabs removed, cautiously close tailgate, being careful not to strike ends of Tracks. Next, lift each side of the Housing and shift/

slide assembly back until Track End Caps (*green dots*) contact vertical face of tailgate (**Photo 19**). **Note: If plastic tabs described in step four have not been removed, assembly will not shift back entirely, and latch mechanism will not function correctly.**

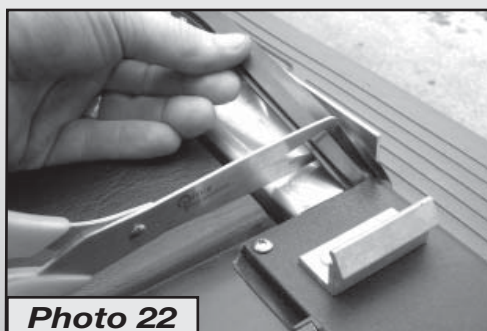


With Track Caps back against tailgate, now move ends of Tracks

inward until Track Cap Flanges contact tailgate Lock Extrusion Caps (**Diagram 20**). Holding one of the Tracks perpendicular to the rail and against the Extrusion Cap, tighten (*snug*) the Clamp closest to tailgate (**Diagram 21**). Do not overtighten. Next, move to Clamp closest to Housing and again hold Track perpendicular to Rail and tighten. With front and back Clamps secured, you may now tighten center Clamps and repeat Clamp tightening procedure on opposite side of bed.

## **STEP 6: INSTALL CARGO SHIELD & DRAIN TUBES**

**A.** Trim the track gasket 1" from the end of the Track (**Photo 22**),



**B.** Rotate the Lock Lever to the 7 o'clock (*closed*) position (**Photo 23**), then remove the plastic wing nut and detach the Pull Strap from the threaded Stud (**Photo 24**). Pull the Cover closed and latch it to the tailgate. **Note: Do not allow the Cover to retract while the Housing Lid is open.**

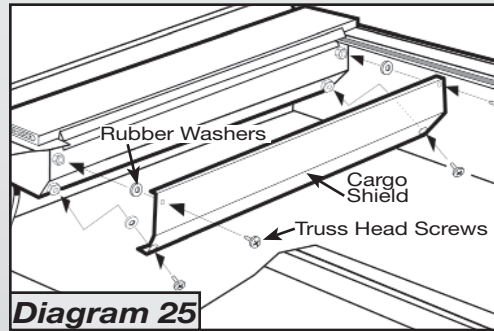


## **STEP 6: INSTALL CARGO SHIELD & DRAIN TUBES** **(CONTINUED)**

- C.** Before lowering the Housing Lid, turn the Lid Pin Knobs  $\frac{1}{4}$  turn clockwise, which will cause the pins to pop in if they are not already. Lower the Housing Lid, being sure that the Lid Pins snap into the receptors located on the Tracks.

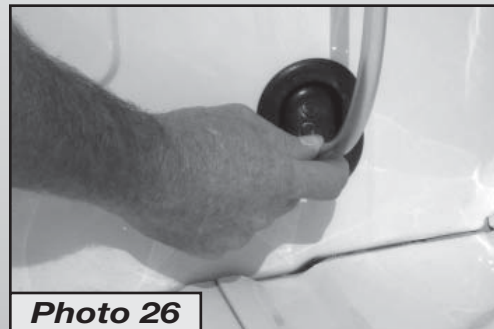


**Photo 24**



**Diagram 25**

- D.** To open the Cover pull back slightly on the Handle to relieve spring tension from the Latch Mechanisms and turn the Lock Lever clockwise to the 10 o'clock (*unlatched*) position.
- E.** Use  $\frac{1}{4}$ -20 x  $\frac{1}{2}$ " truss head screws and rubber washers to secure the Cargo Shield (**Diagram 25**).  
**Note: The rubber washers go on the inside of the Cargo Shield.**



**Photo 26**

- F.** Use  $\frac{1}{2}$ " bit to drill 2 holes for the Drain Tubes. Note that this process is easier if  $\frac{1}{4}$ " pilot hole is drilled first. Align the holes with the Drain Fittings that protrude from the bottom of the Housing Assembly (**Photo 26**). If provided, locate the Drain Tubes in factory drain holes or bulkhead plugs.
- G. Always make sure the Pull-Strap is securely clipped to a fixed point in the bed.**

## **STEP 7: TEST UNIT OPERATION**

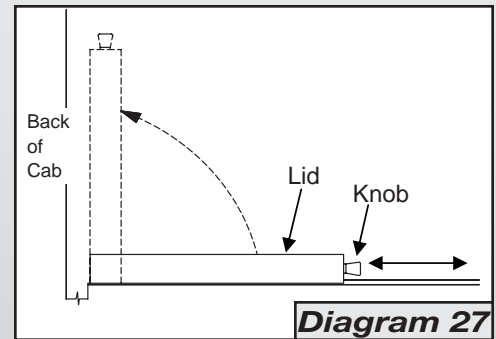
In **Step 6** the Cover was opened (*retracted*). This should have caused the Lock Lever to enter the Lock Pocket and rotate to the 7 o'clock (*latched*) position.

- A. To close the Cover,** pull the Pull-Strap hand-over hand, allowing the excess strap to fall into the bed until you can reach the Handle. Place your hands evenly spread on the Handle and pull the Handle until it contacts the Tailgate Extrusion. As the Handle contacts the Tailgate Extrusion the spring loaded Latches (*which were energized when the Cover was retracted*) will automatically trip, simultaneously latching the Cover to the tailgate and side Tracks.
- B. To open the Cover,** pull back slightly on the Handle to relieve spring tension from the Latch Mechanisms and turn the Lock Lever clockwise to the 10 o'clock position. The Cover should retract on its own with only a slight push to set it into motion. When the Cover is retracting it is best to hold the Pull-Strap and allow it to slip through your fingers as the Cover travels. Applying pressure to the Pull-Strap as it slips through your fingers will act as a braking action, preventing the Handle from slamming into the Lid at high speed. The Cover must retract with only enough force to rotate and reset the Lock Lever and Latching Mechanism.

## **STEP 8: OPENING AND CLOSING / ADJUSTING THE HINGED LID**

### **To Open:**

- A.** Grasp the Latch Pin Knobs, pull out and turn knobs 90° to hold Pin in the unlock position. Grasp the Lid and lift. Rest the Lid against the back of the cab to hold open for service or cleaning (*Diagram 27*).

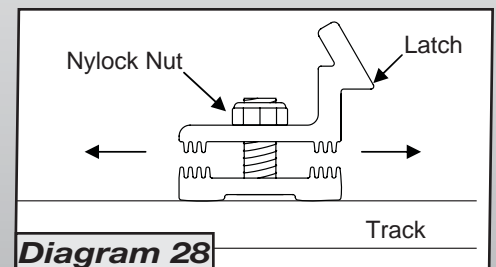


### **To Close:**

- A.** Lower the Lid and return the Latch Pins to locked position by turning the knobs 1/4 turn.

### **If Lid is loose:**

- A.** Raise Lid and loosen the nylock nut on each Lid Latch Bracket, move the top half of the Bracket one notch toward the tailgate. Tighten both nuts and close Lid (*Diagram 28*).



### **If Lid is tight:**

- A.** Raise Lid and loosen the nylock nut on each Lid Latch Bracket, move the top half of the Bracket one notch toward the Housing. Tighten both nuts and close Lid (*Diagram 28*). Repeat if further adjustments are needed.