



## INSTALLATION GUIDE

# 2009-CURRENT DODGE RAMBOX



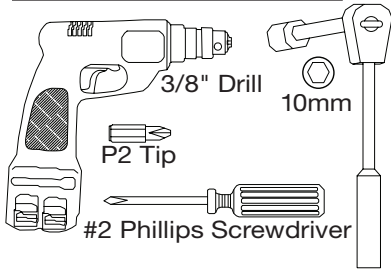
PRODUCT CODE:

**446, 456**

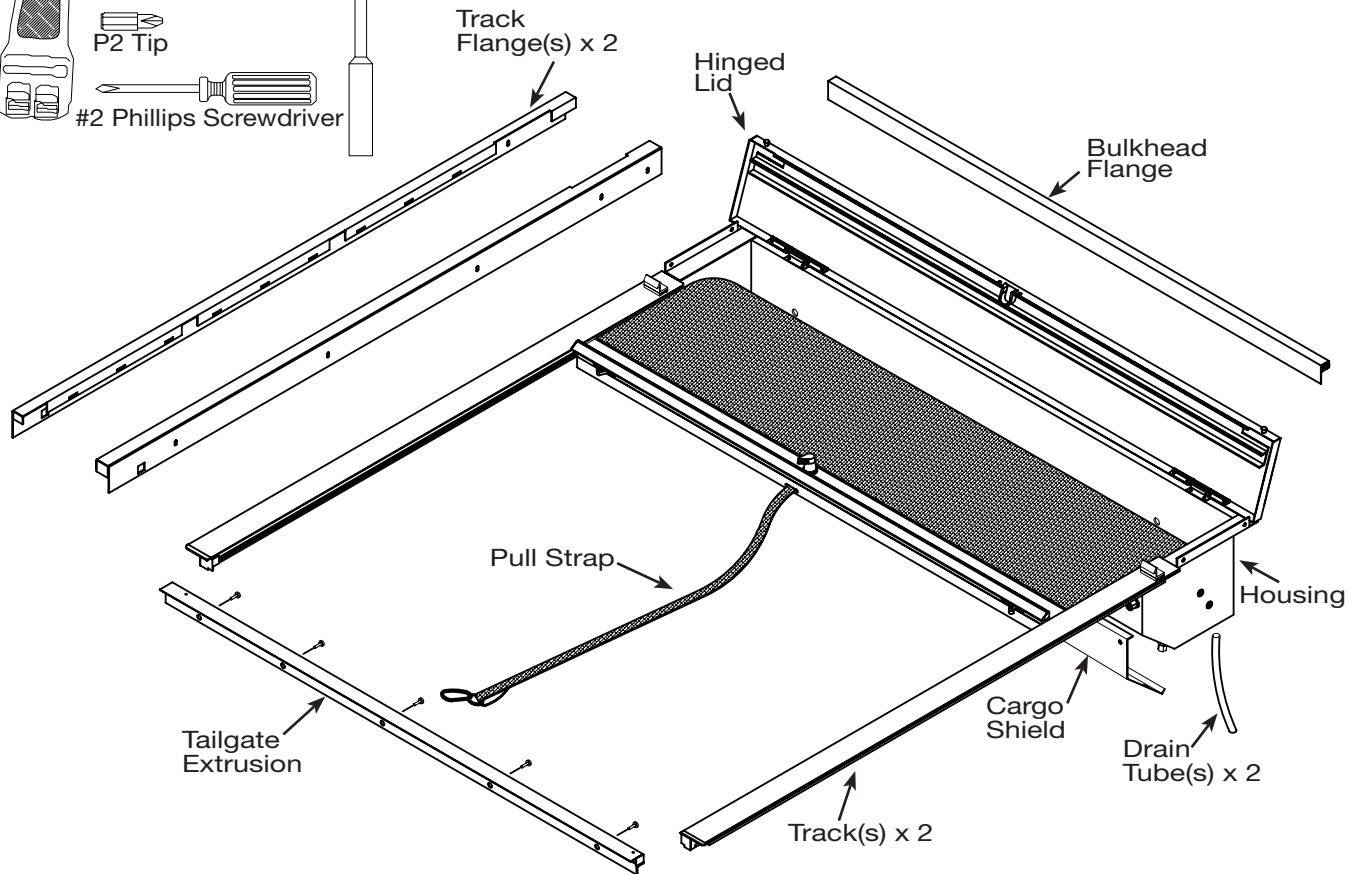


March 20, 2012

## TOOLS NEEDED



## COMPONENTS INCLUDED

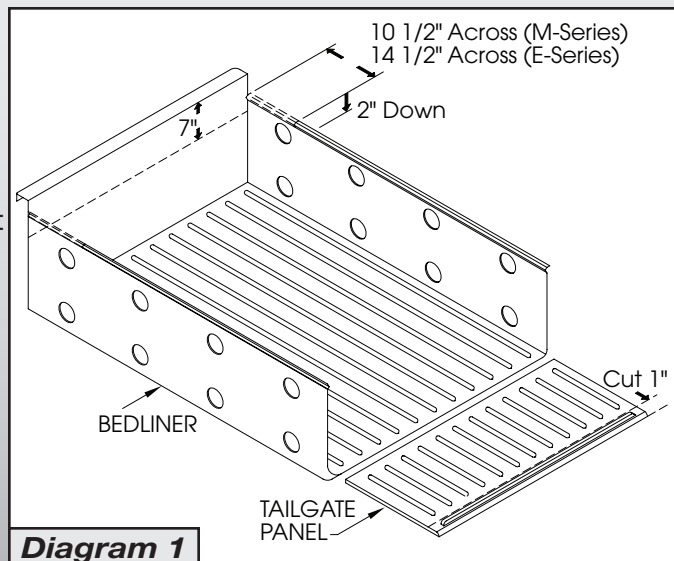


## STEP 1: BEDLINER MODIFICATION

**Note:** If the truck is equipped with a plastic drop-in bedliner, some alteration will be necessary. If no bedliner is present, proceed to Step 2.

**A.** The dotted lines in *Diagram 1* depict the cut line for liner modifications.

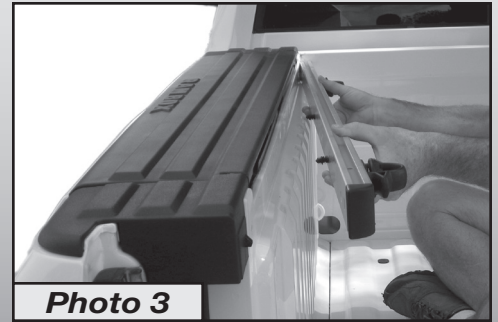
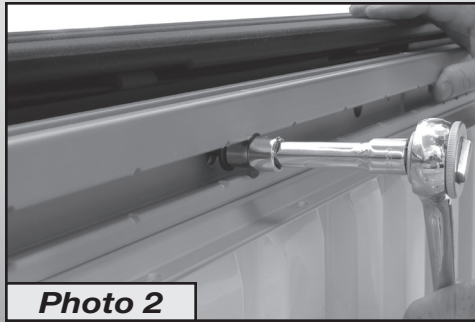
1. Using a jig saw with a medium tooth blade, remove the bulkhead portion of the liner as indicated.
2. Trim the bedliner's plastic tailgate panel 1" as shown.
3. Reinstall the bedliner and tailgate panel on the truck.



## **STEP 2: REMOVE THE EXISTING CARGO RAIL SYSTEM**

**A.** Using a 10mm socket remove all eight (8) bolts from the existing cargo rails (*Photo 2*). Set the bolts aside, **Do not discard**.

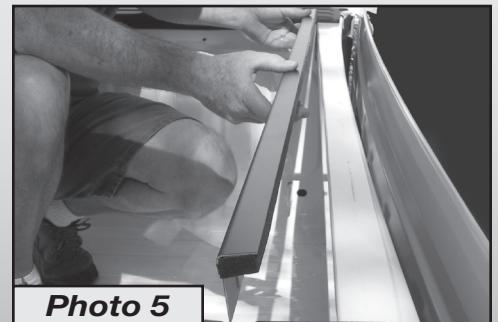
**B.** Pull the rails inboard to remove (*Photo 3*).



## **STEP 3: INSTALL THE BULKHEAD FLANGE**

**A.** Peel the backing from the three (3) pieces of tape on the bulkhead side of the Bulkhead Flange (*Photo 4*).

**B.** Place the Bulkhead Flange over the bulkhead rail (*Photo 5*) so the foam tape comes in contact with the bulkhead. Apply pressure towards the truck cab to adhere it to the bulkhead.



## **STEP 4: INSTALL THE MOUNTING FLANGES**

**A.** Position the driver's side Mounting Flange with the foam gaskets against the inside of the bed rail (*Photo 6*). Using the bolts from Step 1-A and a 10mm socket, secure the Mounting Flange to the truck (*Photo 7*).

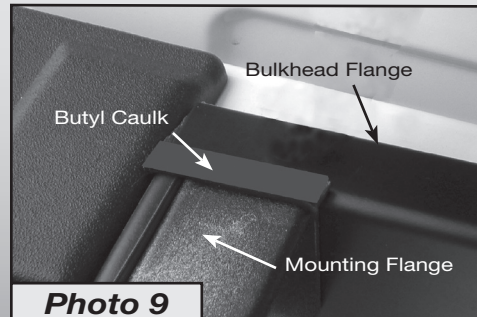
**7).** At this point the top of the Mounting Flange should be on the same plane as the top of the RamBox lid (*Photo 8*). Repeat this procedure for the passenger's side. **Note: Adjustments to the Mounting Flanges can be made during an upcoming step.**





## **STEP 4: INSTALL THE MOUNTING FLANGES** **(CONTINUED)**

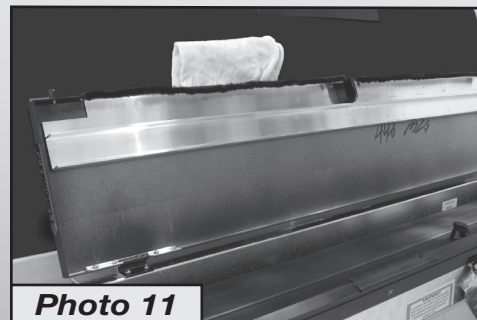
- B.** Press the butyl caulking strips into the seams between the Mounting Flanges and the Bulkhead Flange (*Photo 9*).



## **STEP 5: INSTALL THE HOUSING**

- A.** Place the Housing Assembly onto the Mounting Flanges (*Photo 10*). This is best accomplished with two people. Center it between the Mounting Flanges and leave about 1/2" of space between the bulkhead and the back of the Housing.

**Do not fasten the Housing in place.**



- B.** Lift the Lid on the Housing and lean it against the cab (*Photo 11*). Place a rag between the Housing Lid and cab to prevent scratches.

## **STEP 6: INSTALL THE TRACKS**

- A. Making sure to leave the Pull Strap connected to the threaded shipping stud**, rotate the Lock Lever to the 10 o'clock position (*Photo 12*).



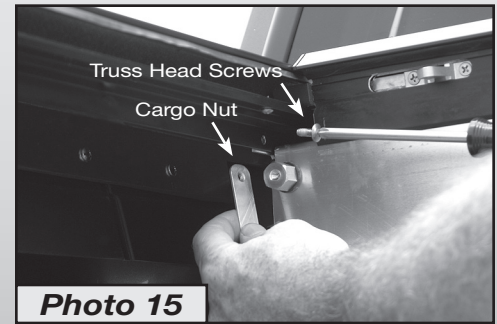
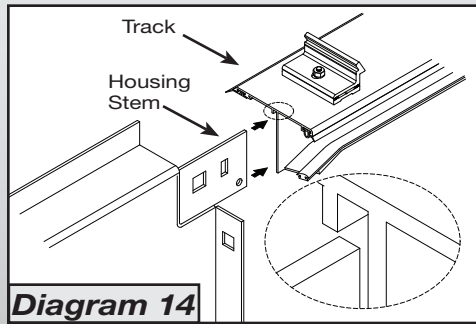
- B.** Carefully place the Tracks on the Mounting



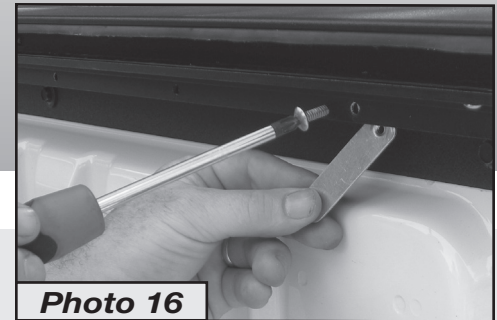
Flanges (*Photo 13*) and key them into the Housing Stems (*Diagram 14*), being sure that the Handle is properly engaged into the Tracks.

## STEP 6: INSTALL THE TRACKS (CONTINUED)

- C.** Use #10-24 x 1/2" truss head screws and Cargo Nuts to secure the Tracks to the Housing Stems (**Photo 15**). Tighten these connections securely.



- D.** Using three (3) #10-24 x 1/2" truss head screws and Cargo Nuts per Track, loosely secure the Tracks to the Mounting Flanges (**Photo 16**).



## STEP 7: ORIENTING THE TRACKS

- A.** Carefully close the tailgate, being cautious not to strike the ends of the Track. Move to the front of the bed, lift up slightly on the Housing and shift each side back toward the tailgate (**Photo 17**) so that the Track End Caps contact the inside surface of the tailgate.



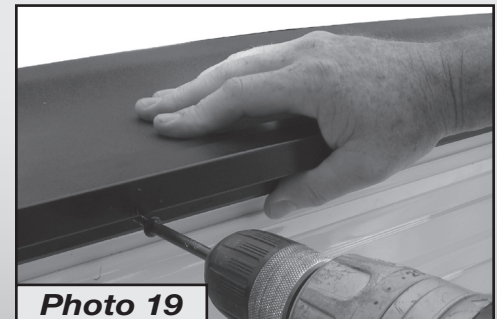
- B.** Once the Tracks are in position tighten all of the Track screws.

## STEP 8: INSTALL THE TAILGATE EXTRUSION

- A.** With the Tracks installed and the tailgate closed, center the Tailgate Extrusion between the Tracks (**Photo 18**). While holding the



Tailgate Extrusion square and in place use a #8 x 3/4" self tapping screw and power screw gun to secure the center hole (**Photo 19**). Next, move to each end, **press the Tailgate Extrusion to the top of the tailgate in order to make it conform to the contour of the tailgate, and secure it in place.**



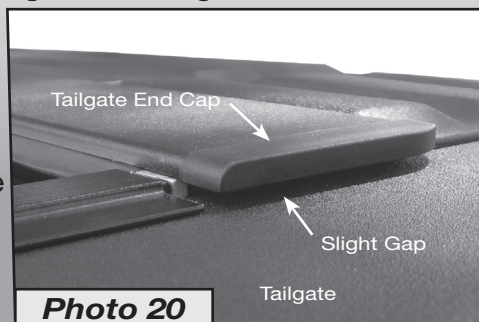
## **STEP 8: INSTALL THE TAILGATE EXTRUSION** **(CONTINUED)**

- B.** Install the two (2) remaining self-tapping screws, making sure to provide even spacing between them. The Tailgate Extrusion should sit snug on top of the tailgate with no gaps.

## **STEP 9: ADJUSTING THE TRACKS**

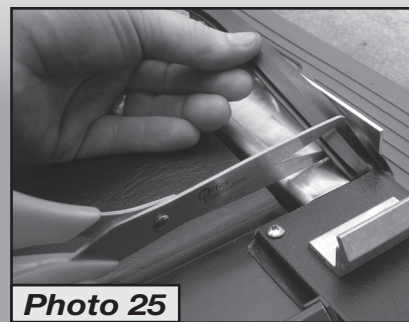
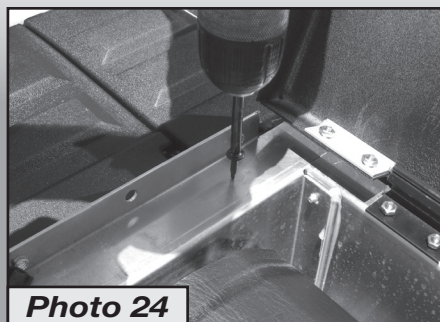
- A.** The Track height should be adjusted so there is a slight gap between the Track End Cap and the top of tailgate (**Photo 20**). If an adjustment is needed, use a 10mm socket to loosen the bolts on the Mounting Flange (**Photo 21**); adjust them to the proper height and retighten the bolts.

- B.** The Tailgate Extrusion End Cap should come in contact with the inside surface of the Track End Cap Block (**Photo 22**). If there is a gap, remove from the Track the #10 x 1/2" screw and Cargo Nut that is nearest the tailgate. Place a shim between the Track and Mounting Flange (**Photo 23**), reinsert the screw and tighten it to the Cargo Nut. Repeat for other side if needed.



## **STEP 10: SECURING THE HOUSING**

- A.** Use a #8 x 3/4" self tapping screw and a power screw gun to secure the Housing to the Mounting Flange (**Photo 24**).





## STEP 10: SECURING THE HOUSING (CONTINUED)

**B.** Trim the Track Gasket 1" from the end of the Track (*Photo 25*).

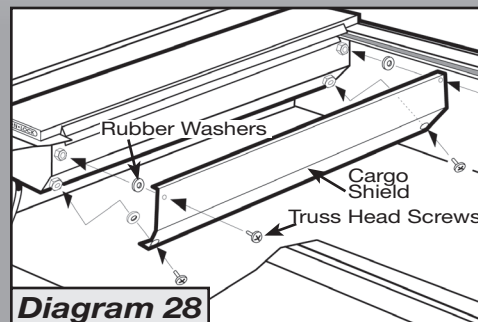
## STEP 11: INSTALL THE CARGO SHIELD AND DRAIN TUBES

**A.** Rotate the Lock Lever to the 7 o'clock (closed) position (*Photo 26*), then remove the plastic wing-nut and detach the Pull-Strap from the threaded Stud (*Photo 27*). Pull the Cover closed and latch it to the tailgate. **Note: Do not allow the Cover to retract while the Housing Lid is open.**

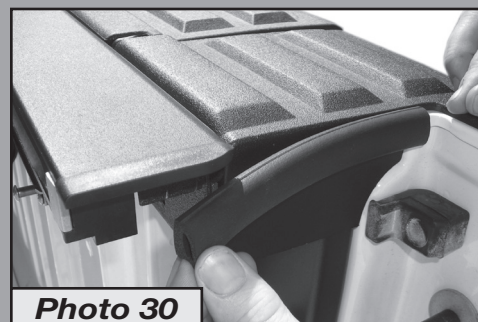
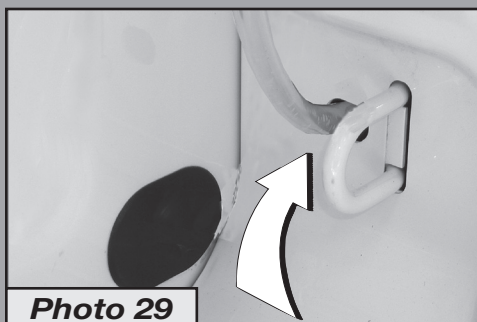
**B.** Before lowering the Housing Lid, turn the Lid Pin Knobs 1/4-turn clockwise, which will cause the pins to pop in if they are not already in. Lower the Housing Lid, being sure that the Lid Pins snap into the receptors located on the Tracks.



**C.** To open the Cover, pull back slightly on the Handle to relieve spring tension from the Latch Mechanisms and turn the Lock Lever to the 10 o'clock (unlatched) position.



**D.** Use 1/4 - 20 x 1/2" truss head screws and rubber washers to secure the Cargo Shield (*Diagram 28*). **Note: The rubber washers go on the inside of the Cargo Shield.**



**E.** Press the Drain Tubes onto the Drain Tube

Fittings on the bottom of the Housing and insert the other ends into the existing holes in the truck bed (*Photo 29*). **When passing the drain hoses through the holes make sure the ends point down and the hoses are not pinched.**

**F.** Peel off the backings of the two 6 1/2" D-profile gaskets and press them onto the ends of the truck rails (*Photo 30*) to fill the gaps between the tailgate and the truck rails.

**G.** **Always make sure the Pull-Strap is securely clipped to a fixed point in the bed.**

## STEP 12: TESTING UNIT OPERATION

In **Step 11**, the Cover was opened (*retracted*). This would have caused the Lock Lever to enter the Lock Pocket and rotate to the 7 o'clock (*latched*) position.

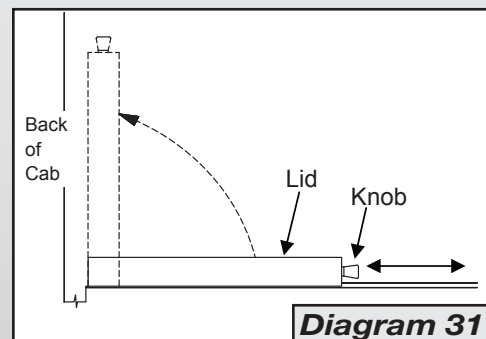
**A. To close the Cover**, pull the Pull-Strap hand-over hand, allowing the excess strap to fall into the bed until you can reach the handle. Place your hands evenly spread on the Handle and pull the Handle until it contacts the Tailgate Extrusion. As the Handle contacts the Tailgate Extrusion the spring loaded Latches (*which were energized when the Cover was retracted*) will automatically trip, simultaneously latching the Cover to the tailgate and side Tracks.

**B. To open the Cover**, pull back slightly on the Handle to relieve spring tension from the Latch Mechanisms and turn the Lock Lever clockwise to the 10 o'clock position. The Cover should retract on its own with only a slight push to set it into motion. When the Cover is retracting it is best to hold the Pull-Strap and allow it to slip through your fingers as the Cover travels. Applying pressure to the Pull-Strap as it slips through your fingers will act as a braking action preventing the Handle from slamming into the Housing Lid at high speed. The Cover must retract with only enough force to rotate and reset the Lock Lever and Latching Mechanisms.

## STEP 13: OPENING AND CLOSING / ADJUSTING THE HINGED LID

### To Open:

**A.** Grasp the Latch Pin Knobs, pull out and turn knobs 90° to hold Pin in the unlock position. Grasp the Lid and lift. Rest the Lid against the back of the cab to hold open for service or cleaning (*Diagram 31*).

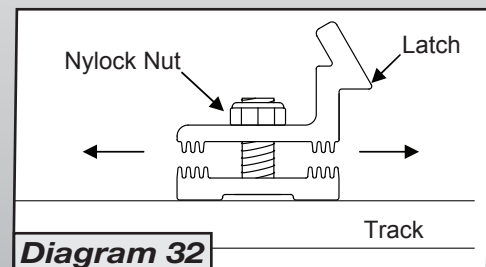


### To Close:

**A.** Lower the Lid and return the Latch Pins to locked position by turning the knobs 1/4 turn.

### If Lid is loose:

**A.** Raise Lid and loosen the nylock nut on each Lid Latch Bracket, move the top half of the Bracket one notch toward the tailgate. Tighten both nuts and close Lid (*Diagram 32*).



### If Lid is tight:

**A.** Raise Lid and loosen the nylock nut on each Lid Latch Bracket, move the top half of the Bracket one notch toward the Housing. Tighten both nuts and close Lid (*Diagram 32*). Repeat if further adjustments are needed.