



INSTALLATION GUIDE
2007-CURRENT
GM SIERRA/SILVERADO



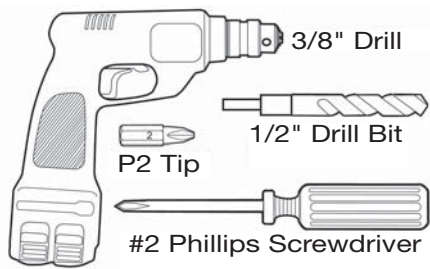
PRODUCT CODE:
207, 217, 219 & 271



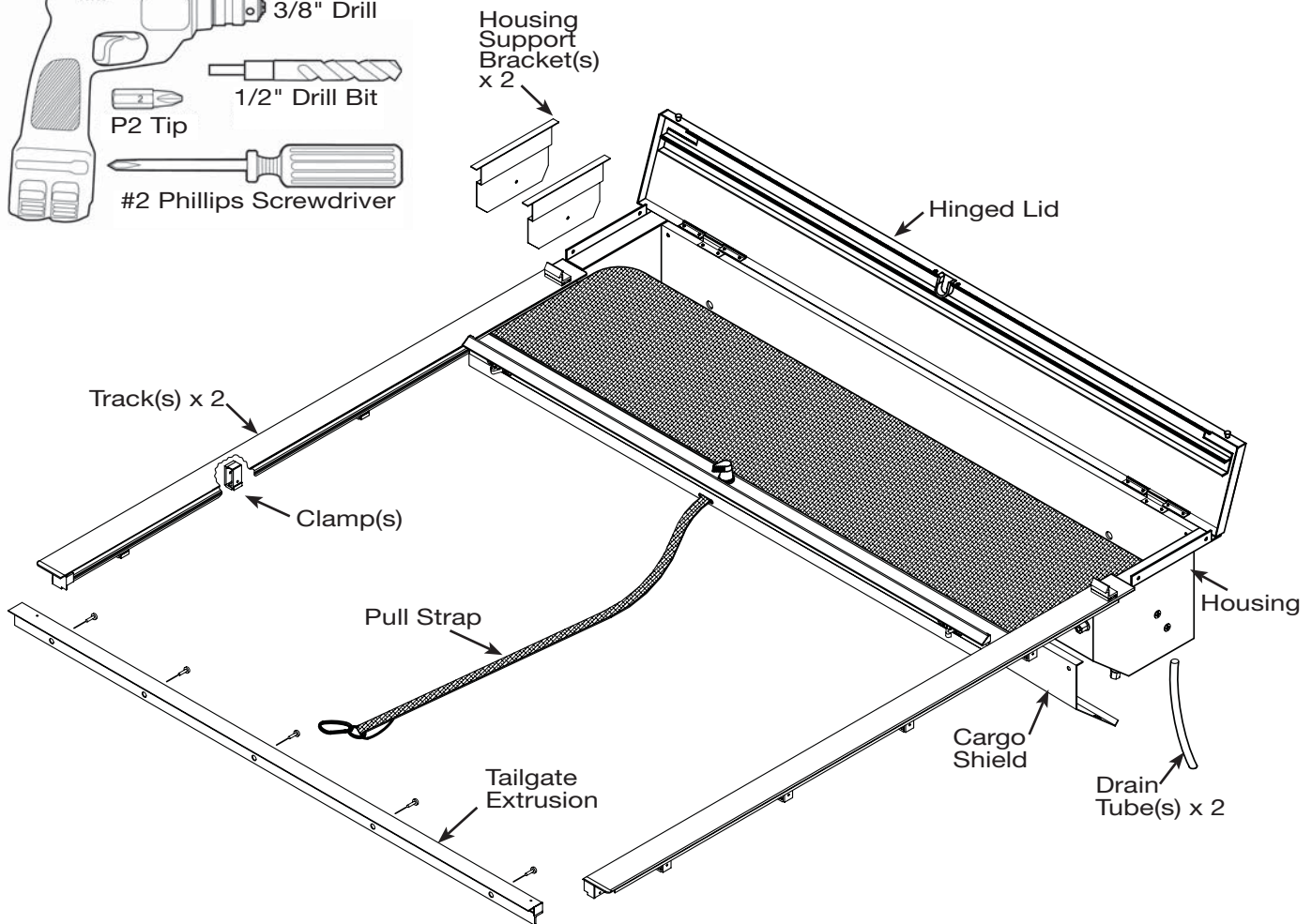
June 23, 2011

INSTALLATION GUIDE

TOOLS NEEDED



COMPONENTS INCLUDED



STOP!

IF YOU HAVE A PLASTIC DROP-IN BEDLINER, BE SURE TO FOLLOW STEP 1 ON THE NEXT PAGE.

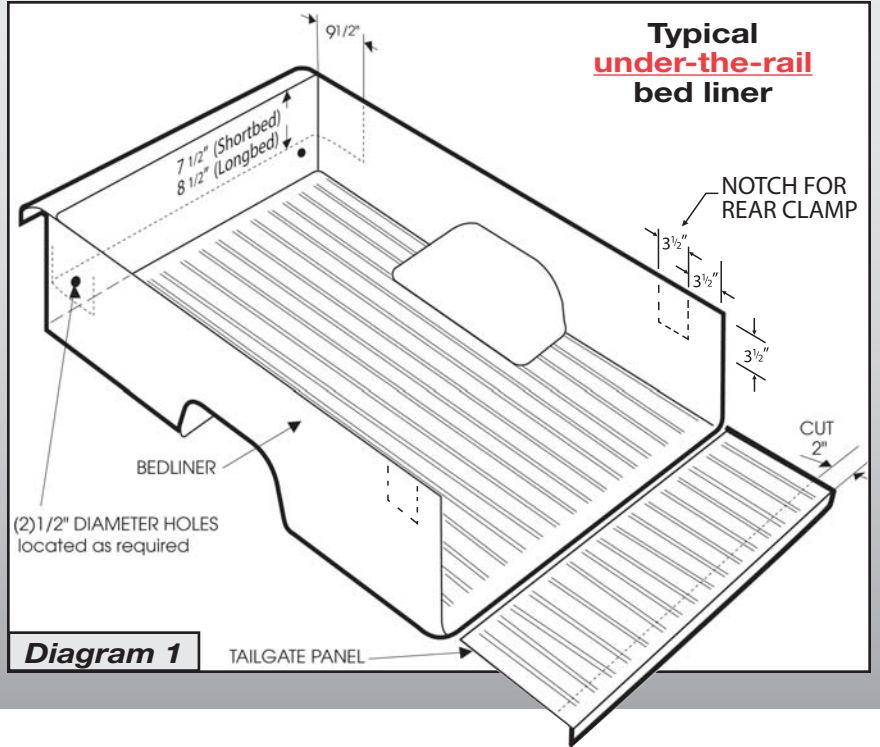
IF NO BEDLINER IS PRESENT, PROCEED TO STEP 2.



STEP 1: BEDLINER MODIFICATION

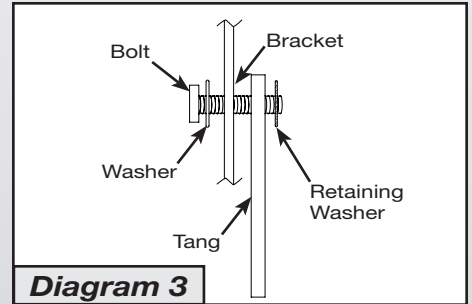
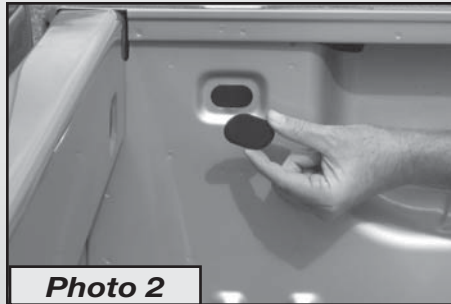
Note: If the truck is equipped with a plastic drop-in bedliner, remove the bedliner and tailgate panel for alterations. **If no bedliner is present, proceed to Step 2.**

- A.** Using a jig saw with a medium tooth blade, remove the bulkhead portion of the liner as indicated.

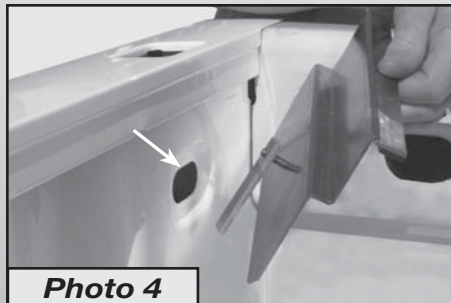


STEP 2: INSTALL HOUSING SUPPORT BRACKETS

- A.** Locate “plugs” in both sides near the front corners and remove (**Photo 2**). If your bed has a spray-on liner, you can either cut around the edge of the “plug” so it can be removed.



- B.** Insert 1/4-20 x 1 1/4" hex head bolt (with flat washer) through the hole in the Bracket, thread into the Mounting Tang, and key the retaining washer onto the end of the bolt (**Diagram 3**).



- C.** Insert the Tang into the hole and position the Housing Support Bracket with the foam tape against the inside of the bed rail, and with a flange overlapping the bulkhead. Tighten the 1/4-20 bolt securely, making sure the top of the Bracket is even with the top of the bed rail (**Photo 4**).
- D.** With the Housing Support Bracket firmly secured, cover the seam between the front flange edge and the bulkhead with a small piece of gasket tape which is supplied in the hardware bag (**Photo 5**).

STEP 3: INSTALL REAR TRACK BRACKET ASSEMBLY

- A.** Insert 1/4-20 x 1 1/4" hex head bolt (with flat washer) through the hole in the "back bed Bracket", thread into the Mounting Tang, and key the retaining washer onto the end of the bolt (**Diagram 3**).
- B.** Insert the Tang into the rear bed wall hole (**Photo 6**) and snug the 1/4-20 bolt. Positioning adjustments can be made in **Step 6** "Install the Tracks".

Note: The "back bed Bracket" must be removed from the Tracks.

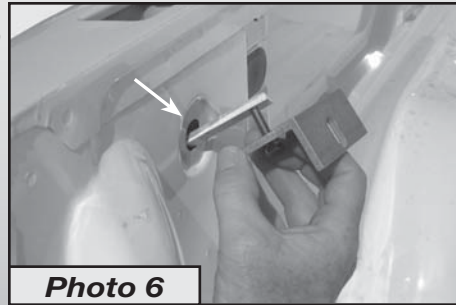


Photo 6

STEP 4: INSTALL THE HOUSING

- A.** If desired, install the Stake-Pocket Hole Covers where necessary (**Photo 7**).
- B.** Place the Housing Assembly onto the bedrails (**Photo 8**). This is best accomplished with two people. Center it between the Housing Support Brackets and leave about 1/2" of space between the bulkhead and the back of the Housing. Do not fasten the Housing in place.
- C.** Lift the Lid on the Housing and lean it against the cab (**Photo 9**). Place a rag between the Lid and cab to prevent scratches.

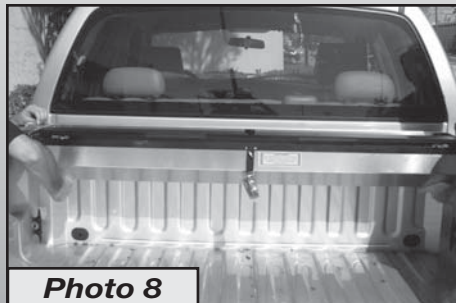


Photo 8

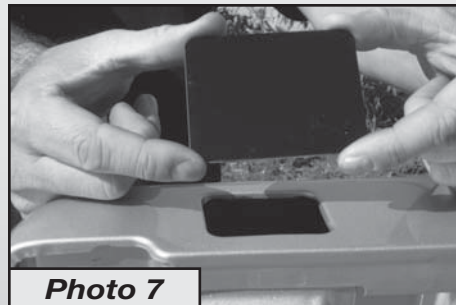


Photo 7

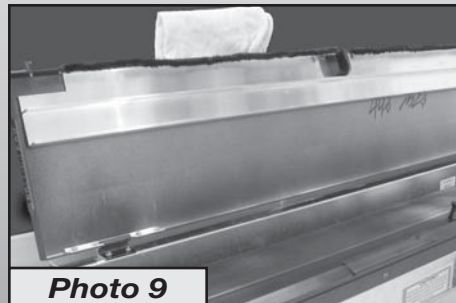


Photo 9

STEP 5: INSTALL THE TRACKS

- A.** **Making sure to leave the Pull Strap connected to the threaded shipping stud,** rotate the Lock Lever to the 10 o'clock position (**Photo 10**).
- B.** Remove the "L"-shaped sections of Clamps that are taped to the bottoms of the Tracks (**Photo 11**). **Because these are location-specific, be sure to lay them in the bed in the same order as you remove them from the Tracks.**

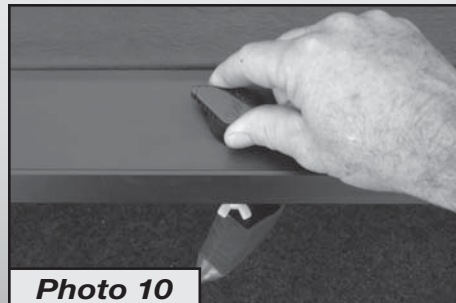
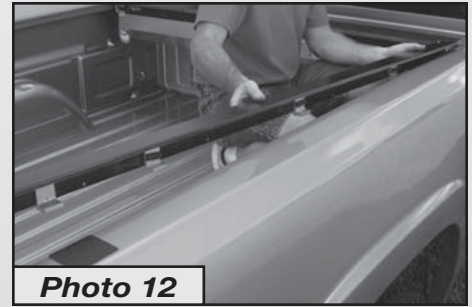


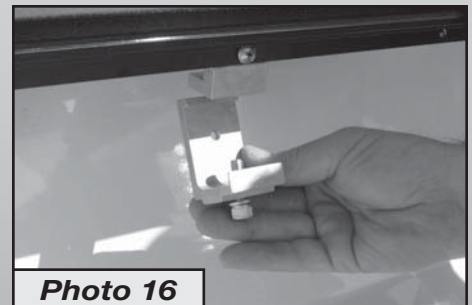
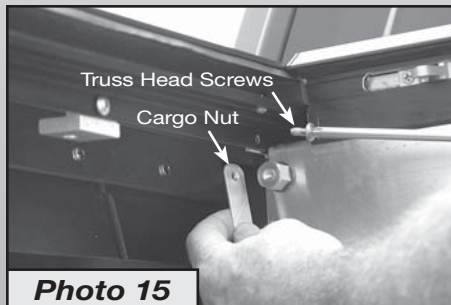
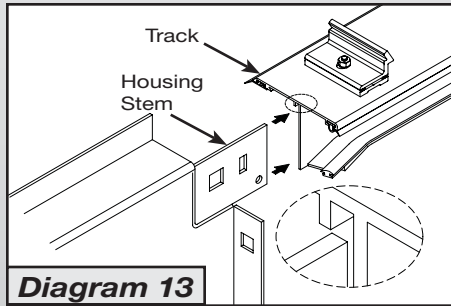
Photo 10

STEP 5: INSTALL THE TRACKS (CONTINUED)

- C.** Carefully place the Tracks on the bedrails (**Photo 11**) and key them onto the Housing Stems (**Diagram 13**), being sure that the Handle is properly engaged into the Tracks.



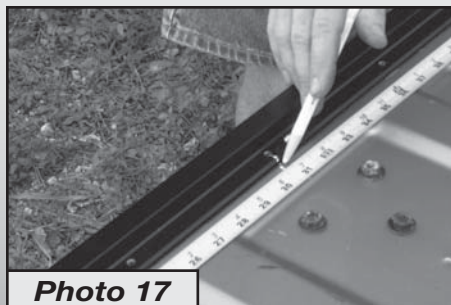
- D.** When placing the Tracks, align back Track Clamps over previously attached back bed Bracket and insert a 1/4 - 28 x 1/2" socket head machine screw (with lock washer) up through the bottom of the bed Brackets and thread into the Track Clamp (**Photo 14**), leaving the bed Bracket very loose. **Do not tighten yet.**



- E.** Use #10-24 x 1/2" truss head screws and Cargo Nuts to secure the Tracks to the Housing Stems (**Photo 15**).
- F.** Attach the remaining Clamps very loosely (**Photo 16**). **Do not tighten yet.**

STEP 6: INSTALL THE TAILGATE EXTRUSION

- A.** Lower the tailgate and, using a tape measure, locate and mark the center of the tailgate (**Photo 17**).
- B.** Using a tape measure, locate and mark the center of the Tailgate Extrusion (**Photo 17**).



STEP 6: INSTALL THE TAILGATE EXTRUSION (CONTINUED)

- C.** While holding the Tailgate Extrusion square and centered on the tailgate, use a #8 x 3/4" self-tapping screw and power screw gun to secure the center hole (**Photo 18**). Next, move to each end, **press the Tailgate Extrusion to the top of the tailgate in order to make it conform to the contour of the tailgate, and secure it in place.**
- D.** Install the remaining self-tapping screws, making sure to provide even spacing between them.
- E.** With the Tailgate Extrusion secured, carefully close the Tailgate, being cautious not to strike the ends of the Tracks.

STEP 7: ORIENTING THE TRACKS TO THE TAILGATE

- A.** Move to the front of the bed, lift up slightly on the Housing and shift each side back toward the tailgate (**Photo 19**) so that the Track End Caps contact the inside surface of the tailgate.

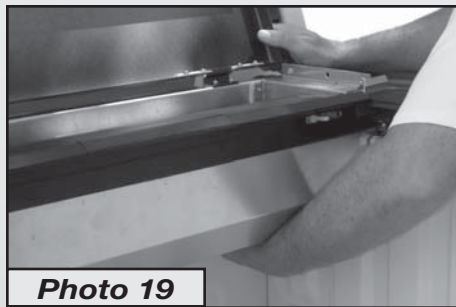


Photo 19

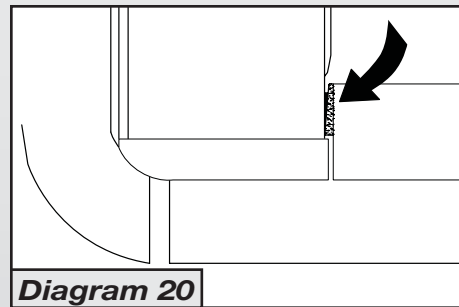


Diagram 20

Make sure the Track End Cap metal blocks contact the Tailgate Extrusion End Caps. (**Diagram 20**).

- B.** With the Tracks in the correct position, you may now tighten the Clamps in the order shown (**Diagram 21**), taking care to make sure the Tracks remain level.

Do not use a power or pneumatic screw gun. Over tightening Trackclamps can cause an indentation in the bedrails.

- C.** If you find that the Track is toed down after tightening the Clamps it will be necessary to loosen the clamps and utilize one of two of the supplied shims to overcome this condition (**Diagram 22**). **Note: Driver and passenger side adjustments may not necessarily be the same.**
- D.** Please note the placement of the shim required to pitch the Track up to its proper horizontal position. This adjustment may require shimming of 1/16" or 1/8" with the supplied shims. This may require a certain amount of "trial & error" on the part of the installer to achieve proper alignment (**Diagram 22**).

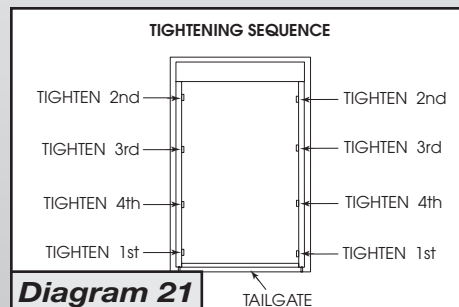


Diagram 21

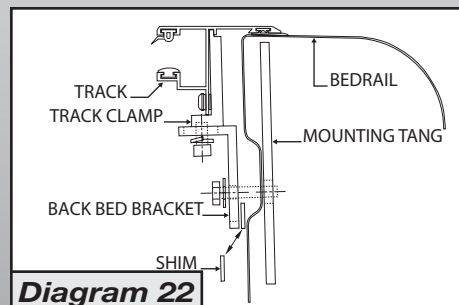
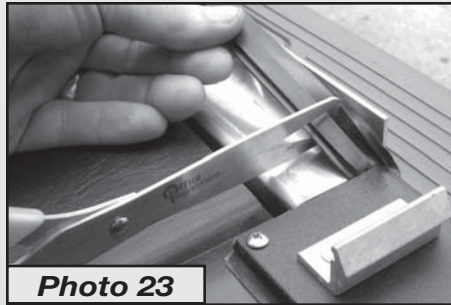


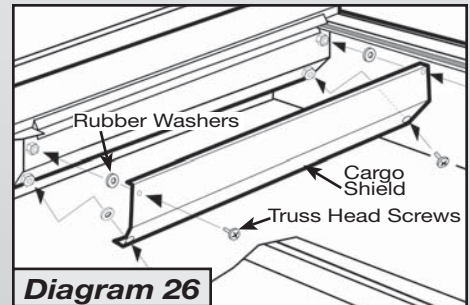
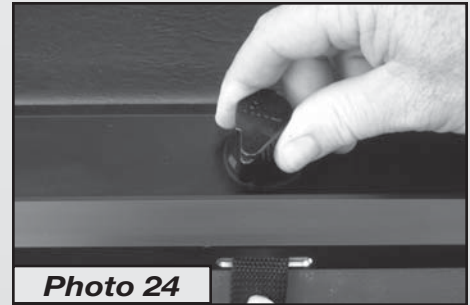
Diagram 22

STEP 8: INSTALL CARGO SHIELD & DRAIN TUBES

- A.** Trim the track gasket 1" from the end of the Track (**Photo 23**).



- B.** Rotate the Lock Lever to the 7 o'clock (closed) position (**Photo 24**), then remove the plastic wing nut and detach the Pull-Strap from the threaded Stud (**Photo 25**). Pull the Cover closed and latch it to the tailgate. **Note: Do not allow the Cover to retract with-out the Lid in place.**



- C.** Before lowering the Housing Lid, turn the Lid Pin Knobs $\frac{1}{4}$ turn clockwise, which will cause the pins to pop in if they are not already. Lower the Housing Lid, being sure that the Lid Pins snap into the receptors located on the Tracks.

- D.** To open the Cover pull back slightly on the Handle to relieve spring tension from the Latch Mechanisms and turn the Lock Lever clockwise to the 10 o'clock (unlatched) position.



- E.** Use 1/4-20 x 1/2" truss head screws and rubber washers to secure the Cargo Shield (**Diagram 26**). **Note: The rubber washers go on the inside of the Cargo Shield.**

- F.** Use 1/2" bit to drill holes for the drain tubes. Note that this process is easier if 1/4" pilot hole is drilled first. The drain holes should be positioned in the center of the outermost bed plugs (**Photo 27**).

- G.** **Always make sure the Pull-Strap is securely clipped to a fixed point in the bed.**

STEP 9: TEST UNIT OPERATION

In Step 9 the Cover was opened (*retracted*). This should have caused the Lock Lever to enter the Lock Pocket and rotate to the 7 o'clock (*latched*) position.

- A.** To close the Cover, pull the Pull-Strap hand-over hand, allowing the excess strap to fall into the bed until you can reach the Handle. Place your hands evenly spread on the Handle and pull the Handle until it contacts the Tailgate Extrusion. As the Handle contacts the Tailgate Extrusion the spring loaded Latches (*which were energized when the Cover was retracted*) will automatically trip, simultaneously latching the Cover to the tailgate and side Tracks.
- B.** To open the Cover, pull back slightly on the Handle to relieve spring tension from the Latch Mechanisms and turn the Lock Lever clockwise to the 10 o'clock position. The Cover should retract on its own with only a slight push to set it into motion. When the Cover is retracting it is best to hold the Pull-Strap and allow it to slip through your fingers as the Cover travels. Applying pressure to the Pull-Strap as it slips through your fingers will act as a braking action, preventing the Handle from slamming into the Lid at high speed. The Cover must retract with only enough force to rotate and reset the Lock Lever and Latching Mechanism.

STEP 10: OPENING AND CLOSING / ADJUSTING THE HINGED LID

To Open:

- A.** Grasp the Latch Pin Knobs, pull out and turn knobs 90° to hold Pin in the unlock position. Grasp the Lid and lift. Rest the Lid against the back of the cab to hold open for service or cleaning (*Diagram 28*).

To Close:

- A.** Lower the Lid and return the Latch Pins to locked position by turning the knobs 1/4 turn.

If Lid is loose:

- A.** Raise Lid and loosen the nylock nut on each Lid Latch Bracket, move the top half of the Bracket one notch toward the tailgate. Tighten both nuts and close Lid (*Diagram 29*).

If Lid is tight:

- A.** Raise Lid and loosen the nylock nut on each Lid Latch Bracket, move the top half of the Bracket one notch toward the Housing. Tighten both nuts and close Lid (*Diagram 29*). Repeat if further adjustments are needed.

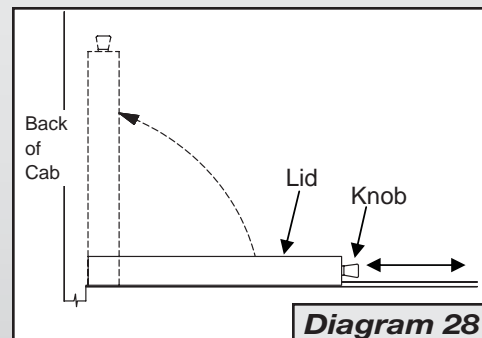


Diagram 28

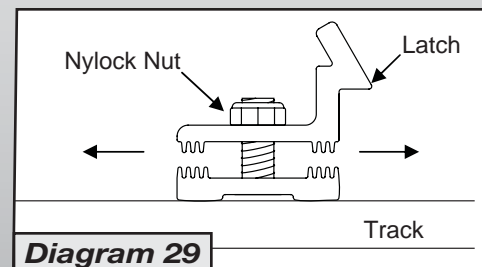


Diagram 29