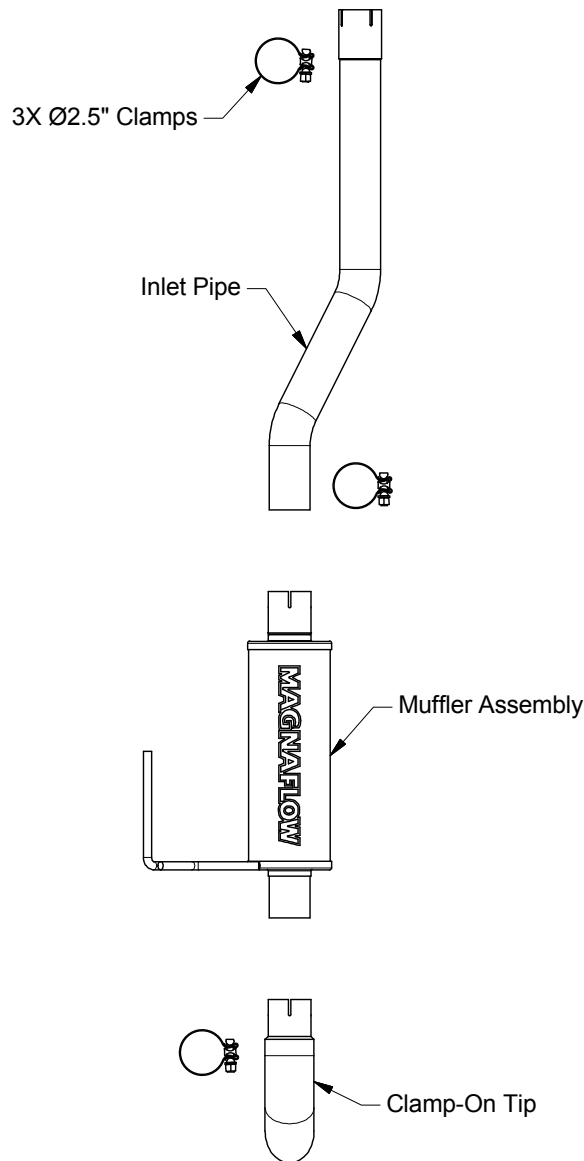


## 2004 - 2006 Nissan Titan 5.7L EC/CC



**Warning:** When working on, under, or around any vehicle exercise caution. Please allow the vehicle's exhaust system to cool before removal, as exhaust system temperatures may cause severe burns. If working without a lift, always consult vehicle manual for correct lifting specifications. Always wear safety glasses and ensure a safe work area. Serious injury or death could occur if safety measures are not followed.

**Step 1:** (Carefully read all instructions before installation) To remove the OEM system you will need to cut the OEM tubing 12" behind the factory hanger bracket. Unbolt the tailpipe and muffler at the mating connection, disengage the welded hangers from the rubber isolators, and remove the assemblies. Do not damage the rubber isolators as they will be reused to mount your new MAGNAFLOW system. Be sure to deburr the cut tubing to ensure a clean fit with the new inlet pipe.

**Step 2:** Install the new system by first securing the new inlet pipe by loosely fastening it to the previously cut pipe using the supplied clamp. Install the muffler assembly and the clamp-on tip in the same fashion. Engage the welded hanger to the rubber isolator.

**Step 3:** With all components mounted loosely, adjust the system for overall aesthetics and clearance of frame & bodywork. (MAGNAFLOW recommends at least 1/2" of clearance between the exhaust system and any body panels to prevent heat-related body damage or fire.)

**Step 4:** Once a final position has been chosen for the new system, evenly tighten all fasteners from front to rear. The supplied band clamps must be VERY tight to properly align the pipes and prevent leaks (Approximately 65ft-lbs). U-bolt clamps should be tightened to approximately 30-35ft-lbs. Inspect all fasteners after 25-50 miles of operation and retighten if necessary.

**\*\* Magnaflow Performance Exhaust recommends professional installation on all their products**