

07-08 Toyota Yaris Sedan 1.5L

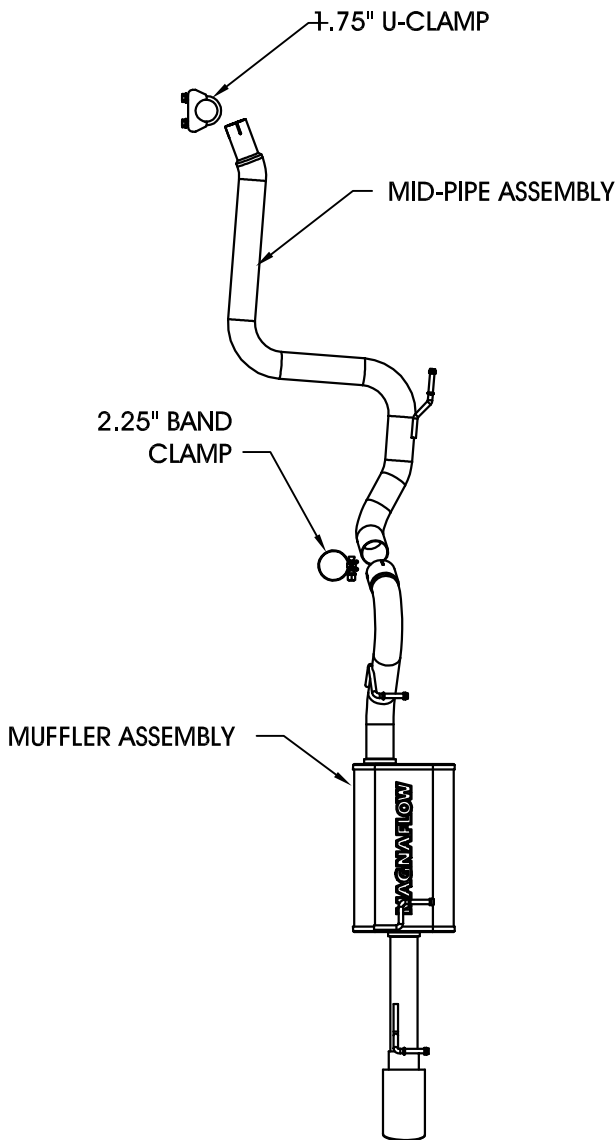
Warning: When working on, under, or around any vehicle exercise caution. Please allow the vehicle's exhaust system to cool before removal, as exhaust system temperatures may cause severe burns. If working without a lift, always consult vehicle manual for correct lifting specifications. Always wear safety glasses and ensure a safe work area. Serious injury or death could occur if safety measures are not followed.

Step 1: (Carefully read all instructions before installation)

Disconnect the vehicle's battery before removal of the OEM exhaust. This will allow the computer to reset itself with the new system, and prevent electrical accidents. Begin removing the OEM exhaust by cutting the exhaust tubing 5" from the bend on the underbody catalytic converter outlet (see fig. 1). Next disengage the welded hangers from the rubber insulators and remove the system from the vehicle. Do not discard or damage the OEM rubber insulators, as they will be reused to mount the new system.

Step 2: Begin installing the new system starting with the front pipe assembly. Using a supplied 1.75" clamp, secure the assembly to the converter outlet pipe, and engage the welded hangers into the rubber insulators. Leave all clamps and fasteners loose for final adjustment of the complete system. Continue installing the rest of the system in a similar manner using the supplied 2.25" clamp.

Step 3: With all components mounted loosely, adjust the system for overall aesthetics and clearance of frame & bodywork. (MAGNAFLOW recommends at least 1/2" of clearance between the exhaust system and any body panels to prevent heat-related body damage or fire.)



07-08 Toyota Yaris Sedan 1.5L

Step 4: Once a final position has been chosen for the new system, evenly tighten all fasteners from front to rear. The supplied band clamps must be VERY tight to properly align the pipes and prevent leaks (approximately 65 ft. lbs.). Inspect all fasteners after 25-50 miles of operation and retighten if necessary.



SHEET 2 OF 2

**MAGNAFLOW Performance Exhaust recommends professional installation on all their products*

Technical support: 1-800-959-9226 ext. 4500

MAGNAFLOW Performance Exhaust - 22961 Arroyo Vista - Rancho Santa Margarita, CA 92688