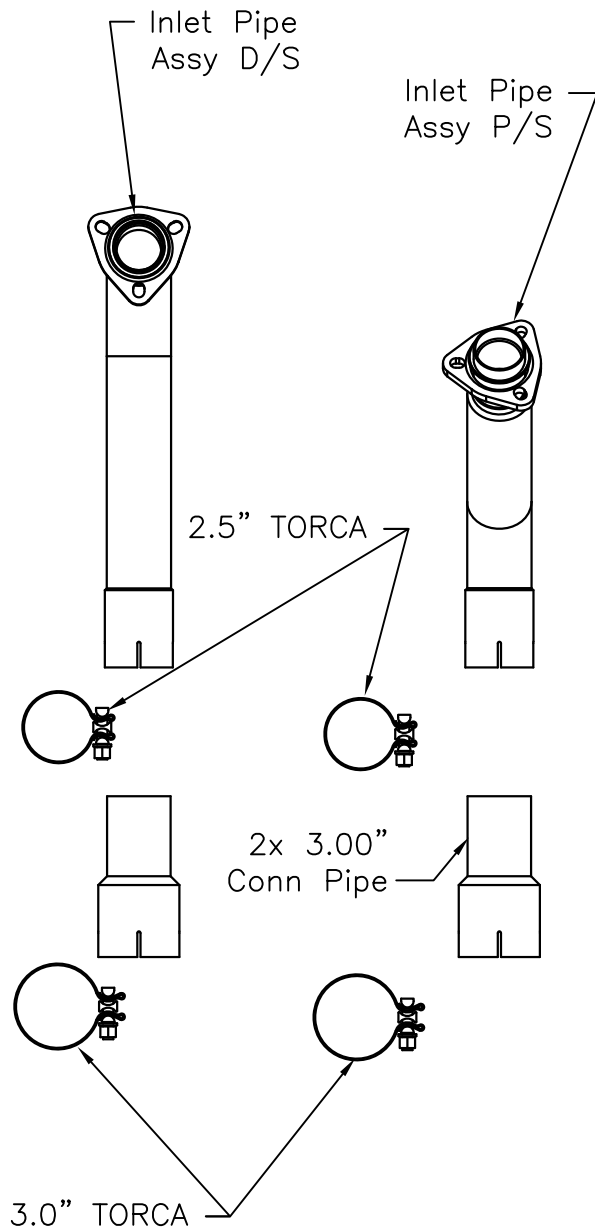


### Manifold Front Pipes, 68-73 GM A-Body V8



**Warning:** When working on, under, or around any vehicle exercise caution. Please allow the vehicle's exhaust system to cool before removal, as exhaust system temperatures may cause severe burns. If working without a lift, always consult vehicle manual for correct lifting specifications. Always wear safety glasses and ensure a safe work area. Serious injury or death could occur if safety measures are not followed.

**Step 1:** (Carefully read all instructions before installation) Disconnect the vehicle's battery before removal of the OEM exhaust. This will allow the computer to reset itself with the new system, and prevent electrical accidents.

**Step 2:** Unbolt inlet pipe flanges at the OEM exhaust manifold. Carefully remove OEM exhaust system. Retain all mounting hardware it will be needed for the installation of your new MAGNAFLOW front pipes.

**Step 3:** Lay out the components of your new Manifold front pipes to check orientation with your MAGNAFLOW Tru-X system. Install by working front to rear of the vehicle. Refer to the installation sheet of the Tru-X system for complete instructions.

**Step 3:** With all components mounted loosely, adjust the system for overall aesthetics and clearance of frame & bodywork. (MAGNAFLOW recommends at least 1/2" of clearance between the exhaust system and any body panels to prevent heat-related body damage or fire.)

**Step 4:** Once a final position has been chosen for the new system, evenly tighten all fasteners from front to rear. The supplied band clamps must be VERY tight to properly align the pipes and prevent leaks (Approximately 40ft-lbs). U-bolt clamps should be tightened to approximately 30-35ft-lbs. Inspect all fasteners after 25-50 miles of operation and retighten if necessary.